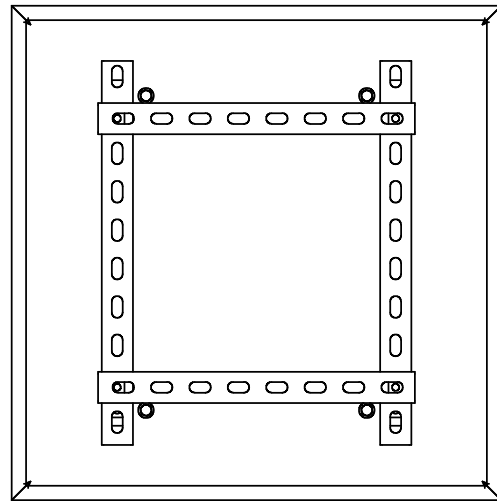


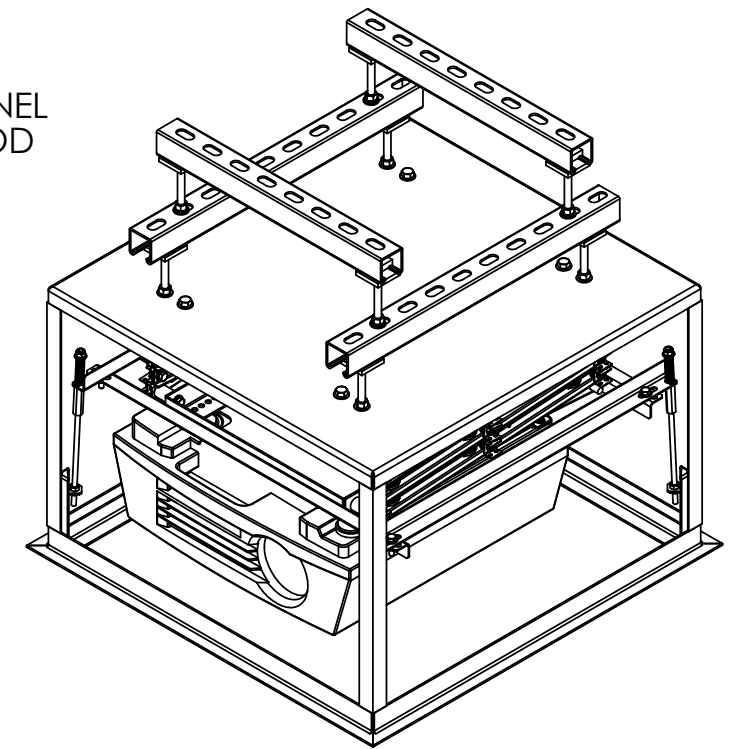
DRAWING REVISION BLOCK

| REV | ER | DESCRIPTION | DRAWN | CHECKED | APPROVED | DATE |
|-----|----|-------------|-------|---------|----------|------|
| | | | | | | |



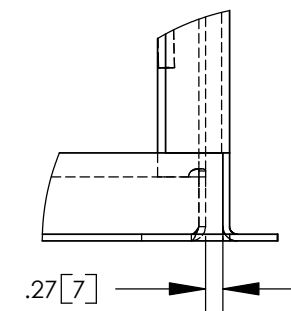
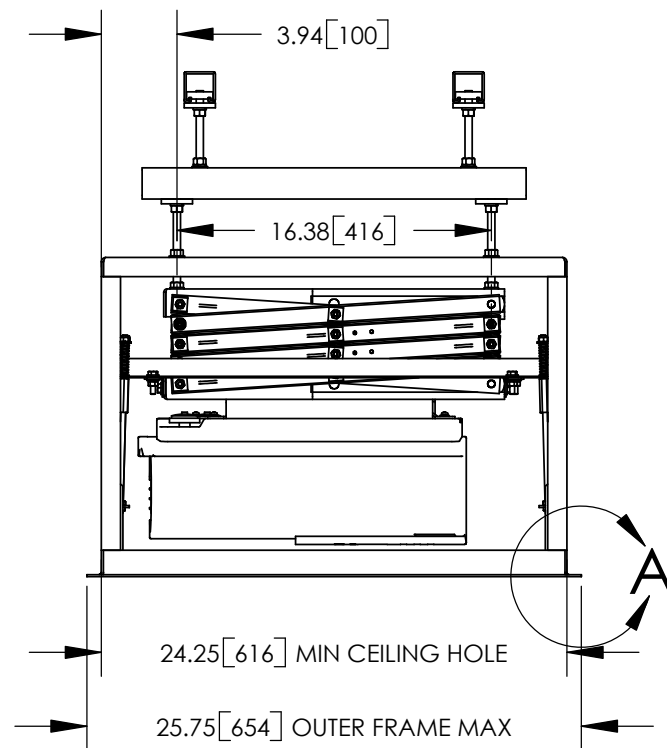
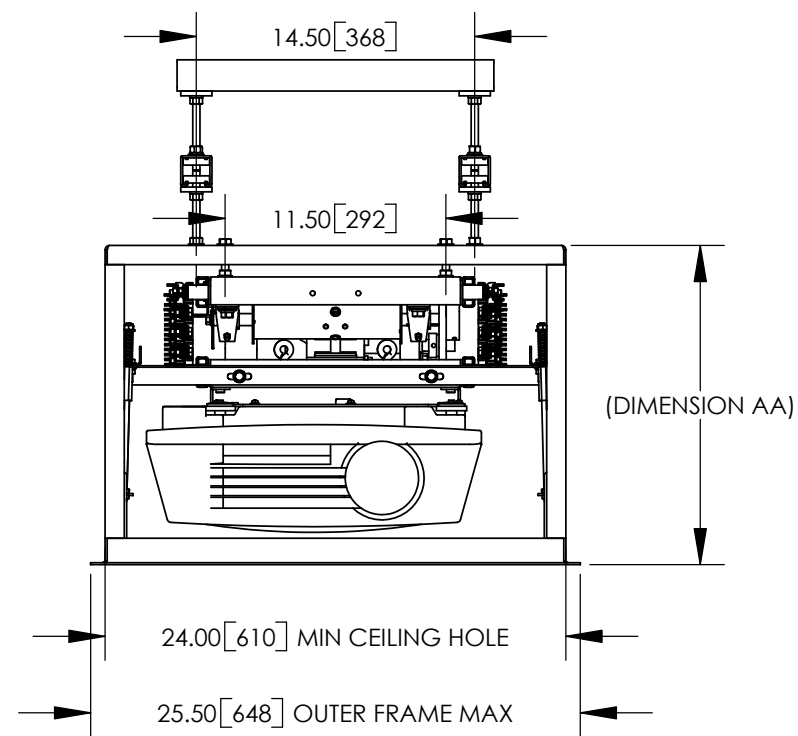
| LCD SIZE | DIMENSION AA | |
|----------|--------------|-----|
| | INCHES | mm |
| LCD-104 | 16.625 | 422 |
| LCD-105 | 17.625 | 448 |
| LCD-106 | 18.625 | 473 |
| LCD-107 | 19.625 | 498 |

UNISTRUT P1000 T CHANNEL AND 3/8" THREADED ROD (RECOMMENDED)



NOTES:

- * UNITS = INCHES [mm].
- * DIMENSION AA IS REQUIRED SPACE ABOVE CEILING.
- * COMPONENTS SHOWN ARE THE MITSUBISHI XL5900U WITH MOUNT 73-415, LCD-104, OPT3 AND OPT1.
- * CTB ROD LENGTH IS 9.875".
- * OPT3 SKINS ARE REMOVED IN THESE DRAWING VIEWS.



DETAIL A
SCALE 1:3

| | | | | | |
|---|---|---|--------------------|------------------|-----------------------------|
| | | DISPLAY DEVICES, INC 5880 SHERIDAN BLVD ARVADA, CO 80003 | | | |
| | | TITLE LCD - OPT3 STD - OPT1 LIPLESS - W/MITSUBISHI XL5900U | | | |
| THE INFORMATION CONTAINED IN THIS DRAWING IS THE PROPERTY OF DISPLAY DEVICES, INC. ANY REPRODUCTION IN PART OR WHOLE WITHOUT THE WRITTEN PERMISSION OF DISPLAY DEVICES, INC IS PROHIBITED | UNLESS OTHERWISE SPECIFIED DIMENSIONS ARE IN INCHES. TOLERANCES: .XX = ± .02 .XXX = ± .010 .XXXX = ± .0050 ANGLE = ± 0.5 | DRAWN RLS | DATE 12/10/2004 | SIZE B | DRAWING NO. 314-096 |
| CHECKED | DATE | MATERIAL NONE | FINISH NONE | SCALE NONE | FILE NAME 314-096.SLDDRW |
| REV A | | | | | SHEET 1 OF 2 |