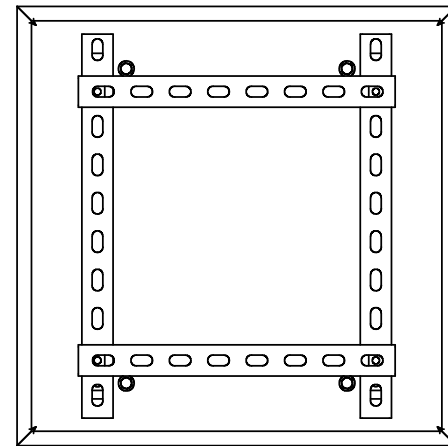
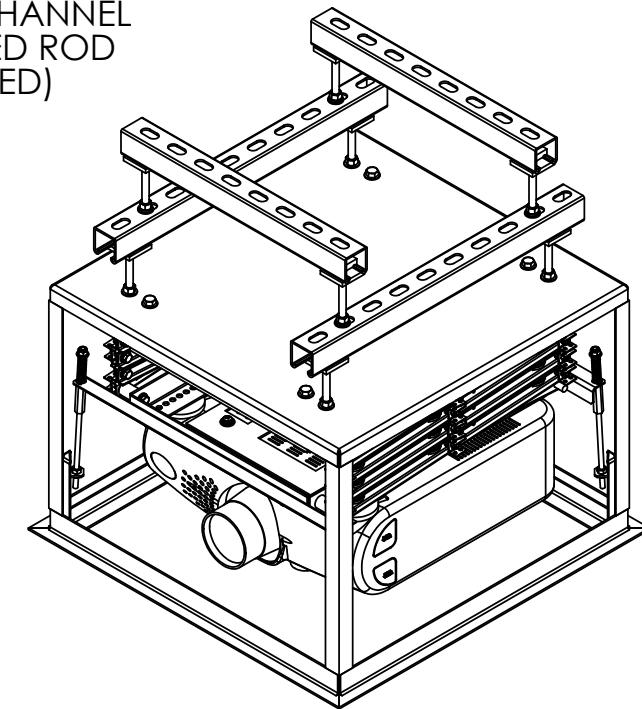


DRAWING REVISION BLOCK						
REV	ER	DESCRIPTION	DRAWN	CHECKED	APPROVED	DATE



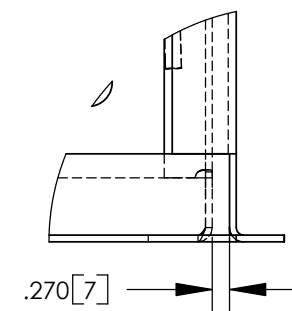
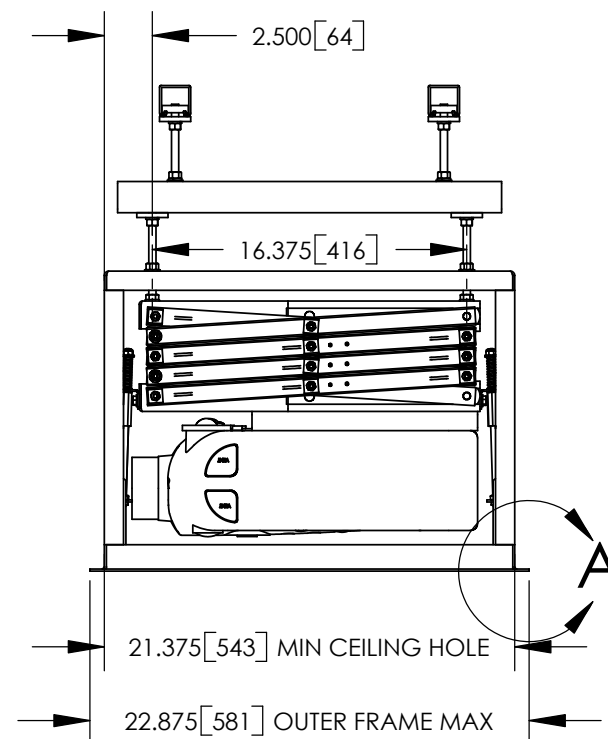
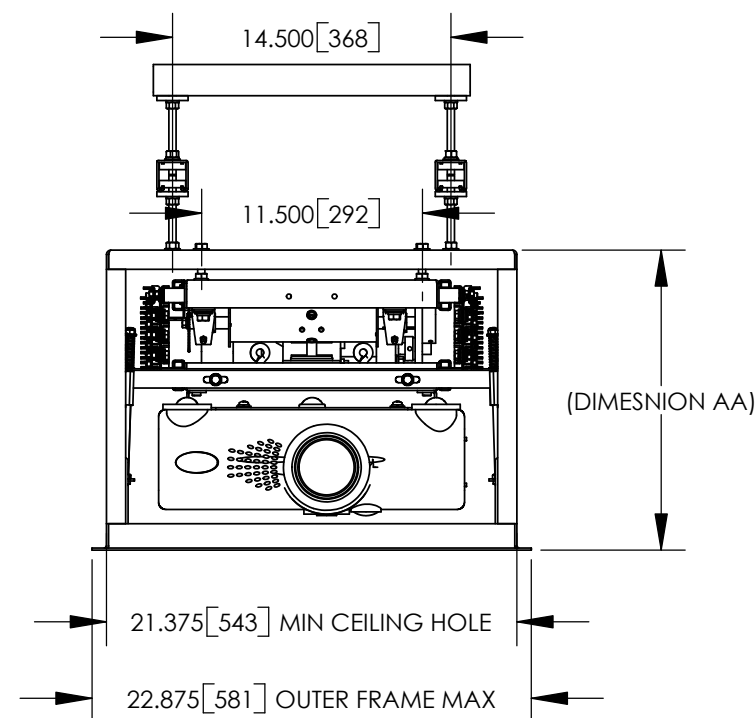
LCD SIZE	DIMENSION AA	
	INCHES	mm
LCD-104	15.625	397
LCD-105	16.625	422
LCD-106	17.625	448
LCD-107	18.625	473

UNISTRUT P1000 T CHANNEL
AND 3/8" THREADED ROD
(RECOMMENDED)



NOTES:

- * UNITS = INCHES [mm].
- * DIMENSION AA IS REQUIRED SPACE ABOVE CEILING.
- * COMPONENTS SHOWN ARE THE MARANTZ VP-12S4 WITH MOUNT 73-216, LCD-104, OPT4 AND OPT1.
- * CTB ROD LENGTH IS 8.875".



DETAIL A
SCALE 1 : 3

		DISPLAY DEVICES, INC 5880 SHERIDAN BLVD ARVADA, CO 80003				
		TITLE LCD - OPT4 2X2 - OPT1 LIPLESS - W/MARANTZ VP-12S4				
THE INFORMATION CONTAINED IN THIS DRAWING IS THE PROPERTY OF DISPLAY DEVICES, INC. ANY REPRODUCTION IN PART OR WHOLE WITHOUT THE WRITTEN PERMISSION OF DISPLAY DEVICES, INC IS PROHIBITED	UNLESS OTHERWISE SPECIFIED DIMENSIONS ARE IN INCHES. TOLERANCES: .XX = ± .02 .XXX = ± .010 .XXXX = ± .0050 ANGLE = ± 0.5	DRAWN RLS DATE 11/2/2004	DATE 11/2/2004	SIZE B	DRAWING NO. 314-089	REV A
MATERIAL NONE		FINISH NONE		SCALE NONE	FILE NAME 314-089.SLDDRW	SHEET 1 OF 2