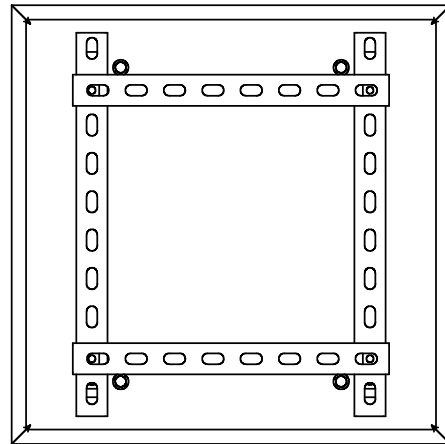
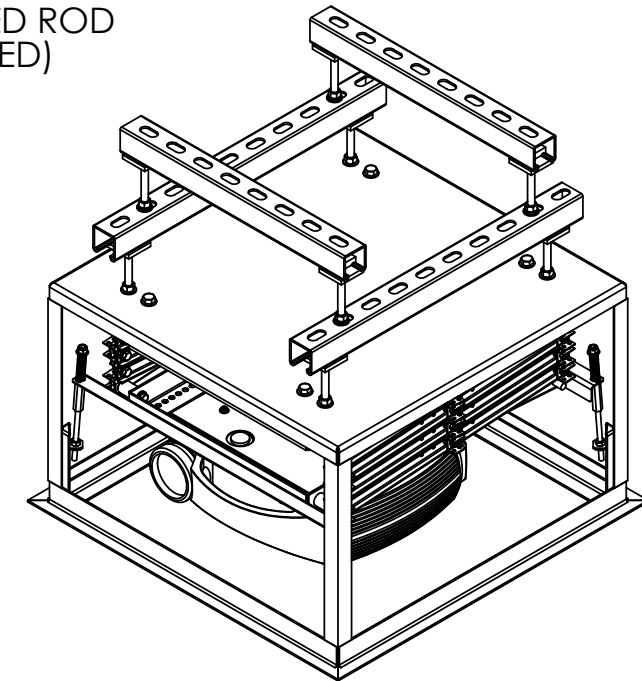


| DRAWING REVISION BLOCK |    |                         |       |         |          |      |
|------------------------|----|-------------------------|-------|---------|----------|------|
| REV                    | ER | DESCRIPTION             | DRAWN | CHECKED | APPROVED | DATE |
| A                      |    | RELEASE FOR PRODUCTION. | BAR   |         |          |      |

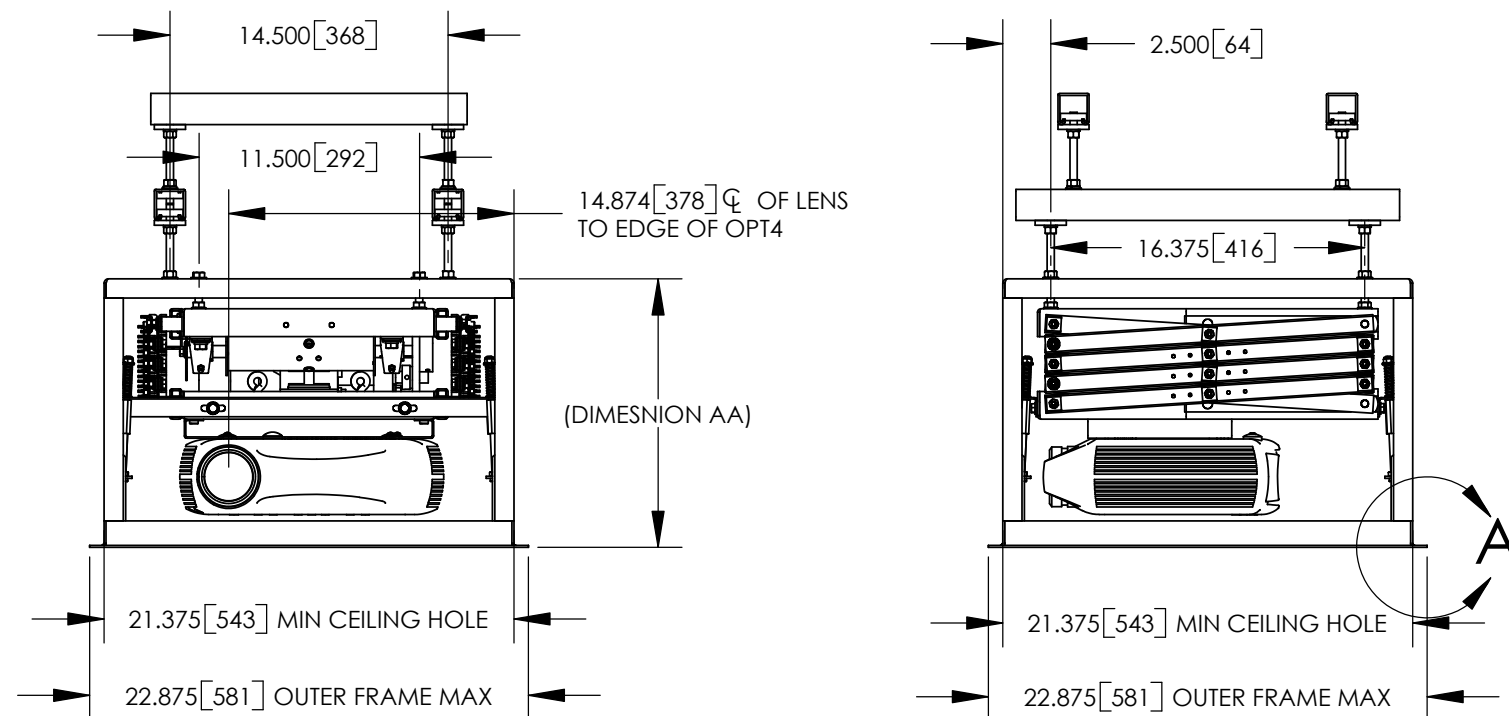


| LCD SIZE | DIMENSION AA |     |
|----------|--------------|-----|
|          | INCHES       | mm  |
| LCD-104  | 14.000       | 356 |
| LCD-105  | 15.000       | 381 |
| LCD-106  | 16.000       | 406 |
| LCD-107  | 17.000       | 432 |

UNISTRUT P1000 T CHANNEL  
AND 3/8" THREADED ROD  
(RECOMMENDED)



- NOTES:
- \* UNITS = INCHES [mm].
  - \* DIMENSION AA IS REQUIRED SPACE ABOVE CEILING.
  - \* COMPONENTS SHOWN ARE THE INFOCUS SP7200 WITH MOUNT (73-341), LCD-104, OPT4 AND OPT1.
  - \* CTB ROD LENGTH IS 7.250".



|   |   |   |                   |                  |                             |                 |
|---|---|---|-------------------|------------------|-----------------------------|-----------------|
|   |   | <b>DISPLAY DEVICES, INC</b><br>5880 SHERIDAN BLVD<br>ARVADA, CO 80003 |                   |                  |                             |                 |
|   |   | TITLE<br><b>LCD - OPT4 2X2 - OPT1 LIPLESS - W/INFOCUS SP7200</b>      |                   |                  |                             |                 |
| THE INFORMATION CONTAINED IN THIS DRAWING IS THE PROPERTY OF DISPLAY DEVICES, INC. ANY REPRODUCTION IN PART OR WHOLE WITHOUT THE WRITTEN PERMISSION OF DISPLAY DEVICES, INC IS PROHIBITED | UNLESS OTHERWISE SPECIFIED DIMENSIONS ARE IN INCHES.<br><br>TOLERANCES:<br>.XX = ± .02<br>.XXX = ± .010<br>.XXXX = ± .0050<br>ANGLE = ± 0.5 | DRAWN<br><b>BAR</b>   | DATE<br>3/15/2004 | SIZE<br><b>B</b> | DRAWING NO.<br>314-017      | REV<br><b>A</b> |
| CHECKED   | DATE  | MATERIAL<br>NONE  | FINISH<br>NONE    | SCALE<br>NONE    | FILE NAME<br>314-017.SLDDRW | SHEET 1 OF 2    |