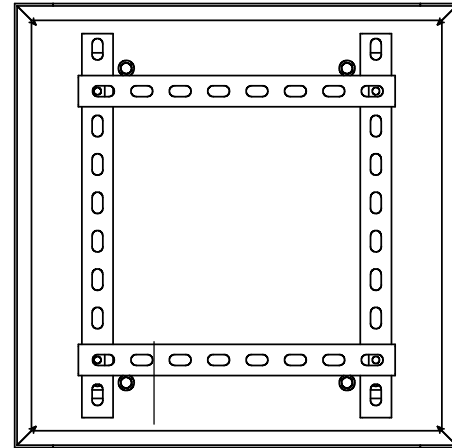
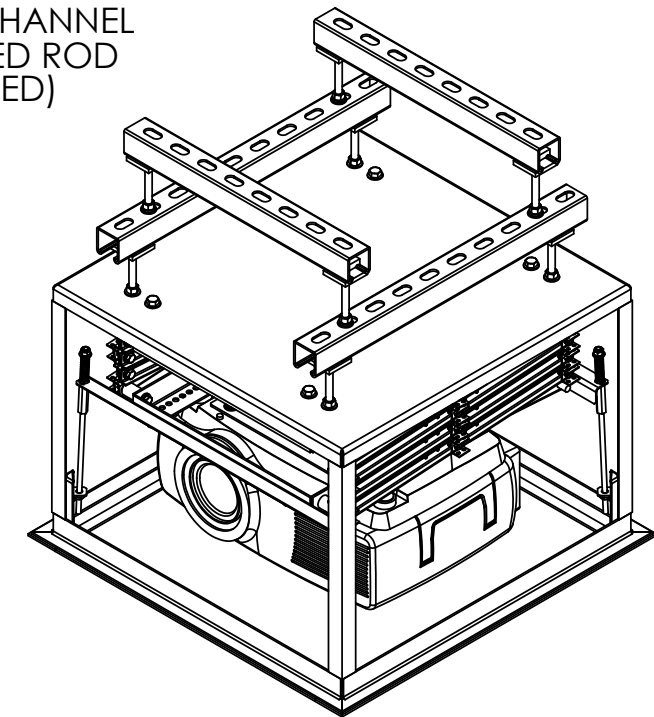


DRAWING REVISION BLOCK						
REV	ER	DESCRIPTION	DRAWN	CHECKED	APPROVED	DATE



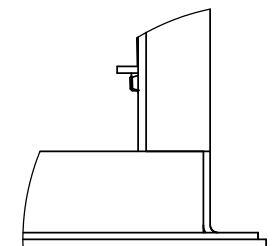
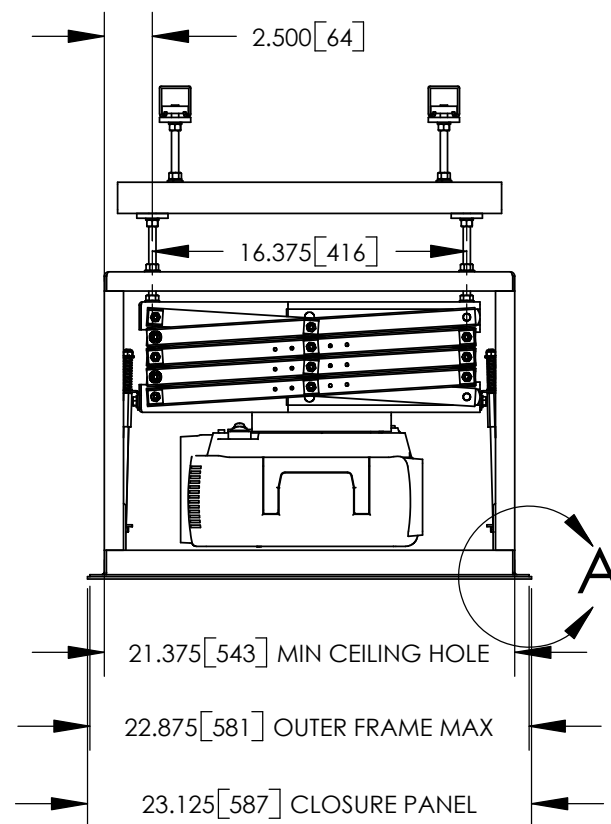
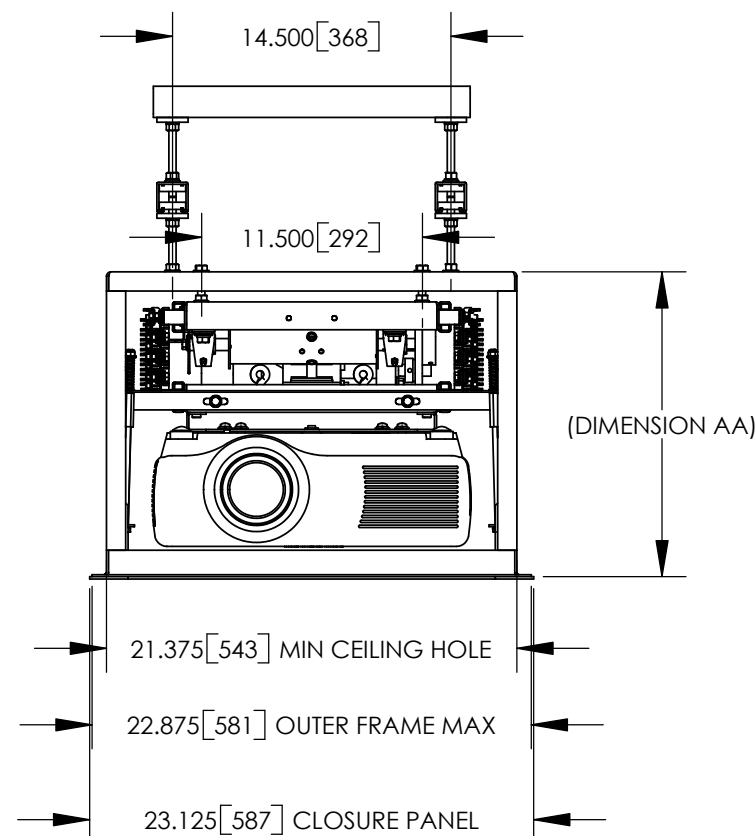
LCD SIZE	DIMENSION AA	
	INCHES	mm
LCD-104	13.750	349
LCD-105	14.750	375
LCD-106	15.750	400
LCD-107	16.750	425

UNISTRUT P1000 T CHANNEL
AND 3/8" THREADED ROD
(RECOMMENDED)



NOTES:

- * UNITS = INCHES [mm].
- * DIMENSION AA IS REQUIRED SPACE ABOVE CEILING.
- * COMPONENTS SHOWN ARE THE INFOCUS LP840 WITH MOUNT 73-265, LCD-104, OPT4 AND OPT1.
- * CTB ROD LENGTH IS 10.500".



DETAIL A
SCALE 1 : 3

		DISPLAY DEVICES, INC 5880 SHERIDAN BLVD ARVADA, CO 80003			
		TITLE LCD - OPT4 2X2 - OPT1 LIPPED - W/INFOCUS LP 840			
THE INFORMATION CONTAINED IN THIS DRAWING IS THE PROPERTY OF DISPLAY DEVICES, INC. ANY REPRODUCTION IN PART OR WHOLE WITHOUT THE WRITTEN PERMISSION OF DISPLAY DEVICES, INC IS PROHIBITED	UNLESS OTHERWISE SPECIFIED DIMENSIONS ARE IN INCHES. TOLERANCES: .XX = ± .02 .XXX = ± .010 .XXXX = ± .0050 ANGLE = ± 0.5	DRAWN RLS	DATE 4/26/2004	SIZE B	DRAWING NO. 314-032
CHECKED	DATE	MATERIAL NONE	FINISH NONE	SCALE NONE	FILE NAME 314-032.SLDDRW
				REV A	SHEET 1 OF 2