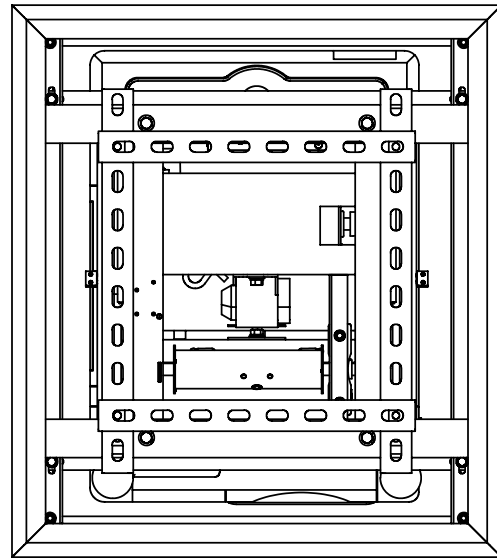


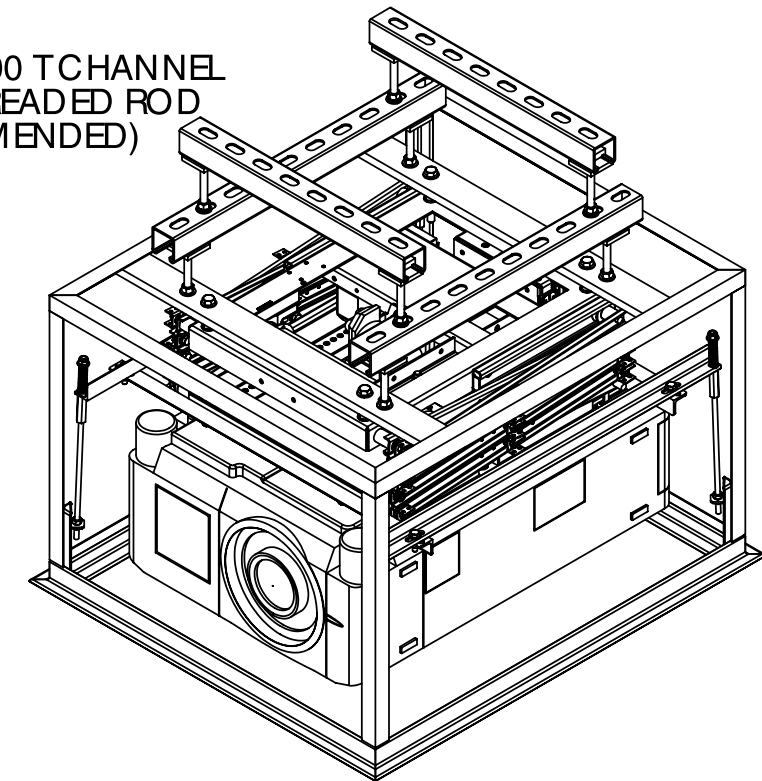
DRAWING REVISION BLOCK

REV	ER	DESCRIPTION	DRAWN	CHECKED	APPROVED	DATE



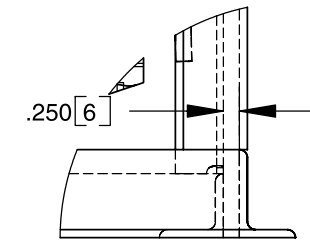
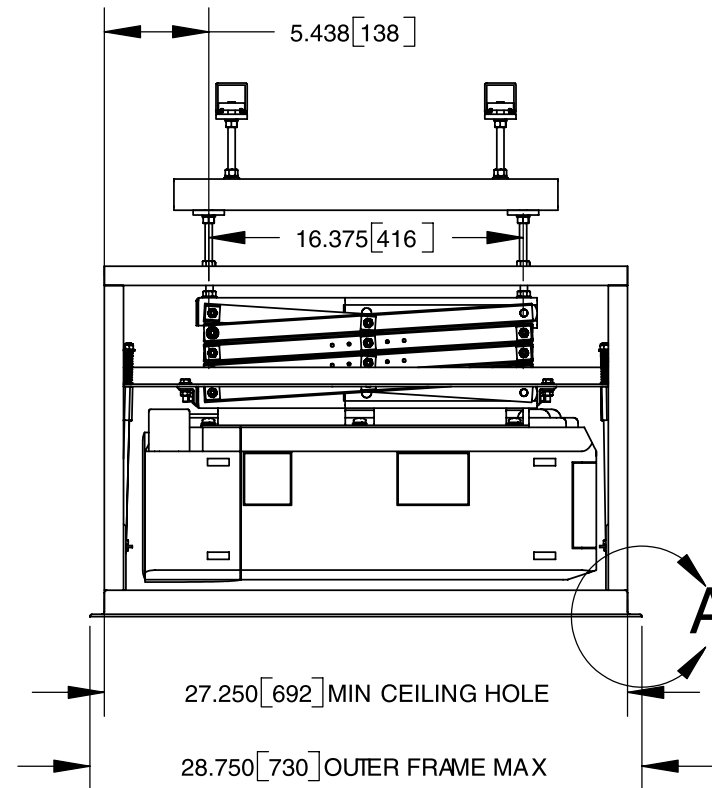
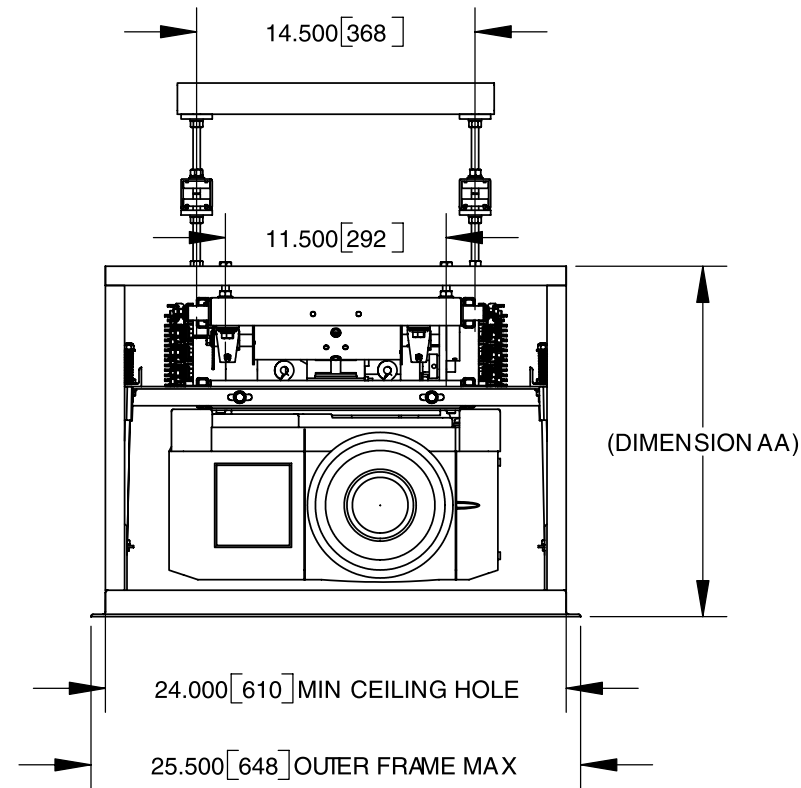
LCD SIZE	DIMENSION AA	
	INCHES	mm
LCD-104	18.250	464
LCD-105	19.250	489
LCD-106	20.250	514
LCD-107	21.250	540

UNISTRUT P1000 TCHANNEL
AND 3/8" THREADED ROD
(RECOMMENDED)



NOTES:

- * UNITS = INCHES [mm].
- * DIMENSION AA IS REQUIRED SPACE ABOVE CEILING.
- * COMPONENTS SHOWN ARE THE SANYO PCL-XF35 WITH MOUNT 73-127, LCD-104, OPT3 AND OPT1.
- * CTB ROD LENGTH IS 11.500".
- * OPT3 SKINS ARE REMOVED IN THESE DRAWING VIEWS.



DETAIL A
SCALE 1 : 3

		DISPLAY DEVICES, INC 5880 SHERIDAN BLVD ARVADA, CO 80003				
		TITLE LCD - OPT3 CUSTOM SIZE - OPT1 LIPLESS - EIKI LC-X5L				
THE INFORMATION CONTAINED IN THIS DRAWING IS THE PROPERTY OF DISPLAY DEVICES, INC. ANY REPRODUCTION IN PART OR WHOLE WITHOUT THE WRITTEN PERMISSION OF DISPLAY DEVICES, INC IS PROHIBITED	UNLESS OTHERWISE SPECIFIED DIMENSIONS ARE IN INCHES. TOLERANCES: .XX = ± .02 .XXX = ± .010 .XXXX = ± .0050 ANGLE = ± 0.5	DRAWN RLS	DATE 6/8/2004	SIZE B	DRAWING NO. 314-045	REV A
CHECKED	DATE	MATERIAL NONE	FINISH NONE	SCALE NONE	FILE NAME 314-045.SLDDRW	SHEET 1 OF 2