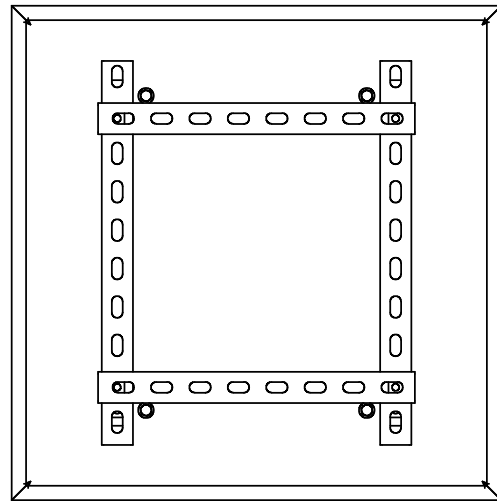
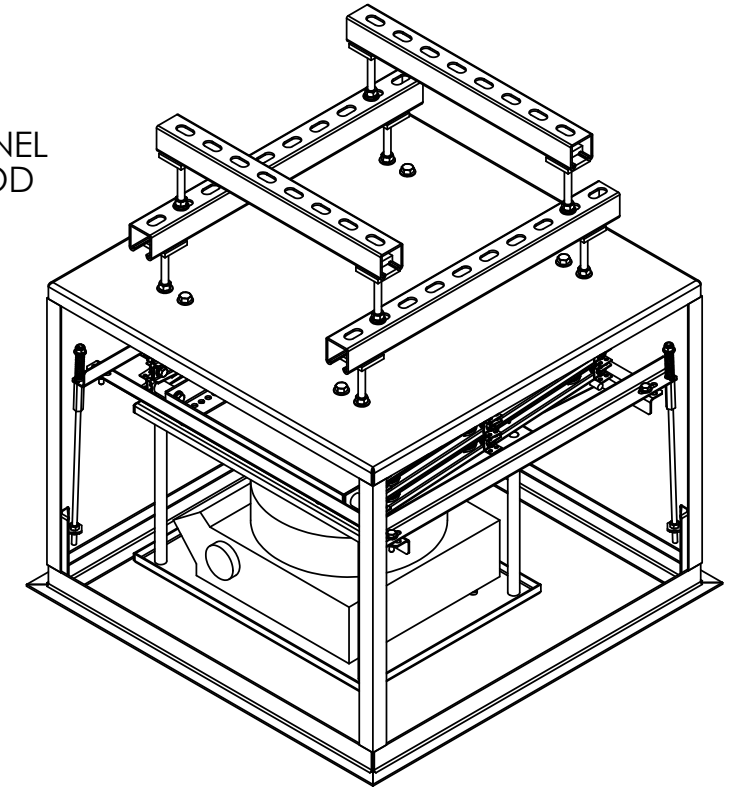


DRAWING REVISION BLOCK						
REV	ER	DESCRIPTION	DRAWN	CHECKED	APPROVED	DATE



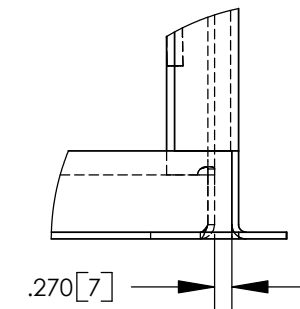
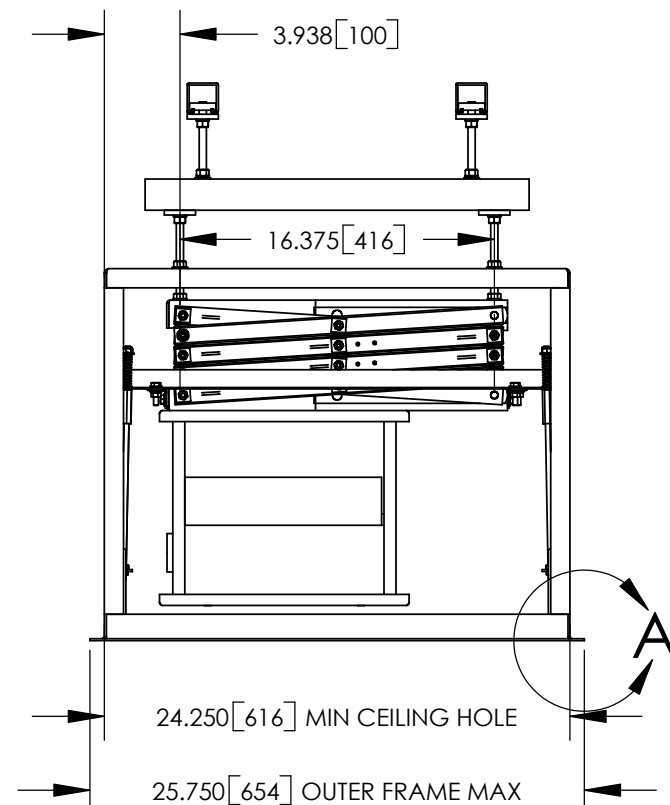
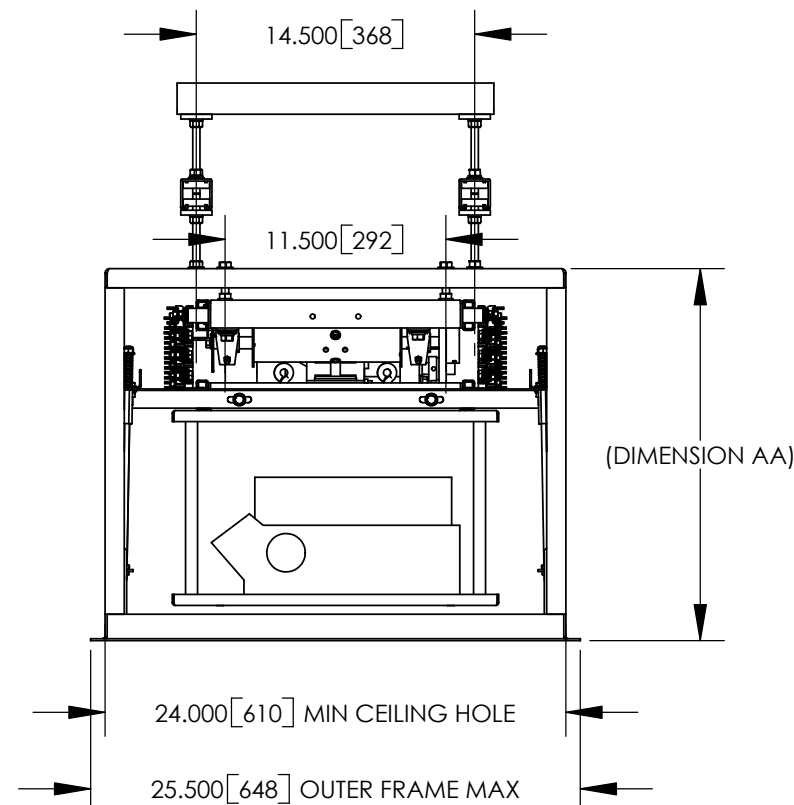
LCD SIZE	DIMENSION AA	
	INCHES	mm
LCD-104	19.375	492
LCD-105	20.375	518
LCD-106	21.375	543
LCD-107	22.375	568

UNISTRUT P1000 T CHANNEL
AND 3/8" THREADED ROD
(RECOMMENDED)



NOTES:

- * UNITS = INCHES [mm].
- * DIMENSION AA IS REQUIRED SPACE ABOVE CEILING.
- * COMPONENTS SHOWN ARE THE EIKI LC-120 WITH MOUNT 73-694, LCD-104, OPT4 AND OPT1.
- * CTB ROD LENGTH IS 12.625".



DETAIL A
SCALE 1:3

		DISPLAY DEVICES, INC 5880 SHERIDAN BLVD ARVADA, CO 80003					
		TITLE LCD - OPT4 STD - OPT1 LIPLESS - W/EIKI LC-120					
THE INFORMATION CONTAINED IN THIS DRAWING IS THE PROPERTY OF DISPLAY DEVICES, INC. ANY REPRODUCTION IN PART OR WHOLE WITHOUT THE WRITTEN PERMISSION OF DISPLAY DEVICES, INC IS PROHIBITED.		UNLESS OTHERWISE SPECIFIED DIMENSIONS ARE IN INCHES. TOLERANCES: .XX = ± .02 .XXX = ± .010 .XXXX = ± .0050 ANGLE = ± 0.5		DATE 7/2005	SIZE B	DRAWING NO. 314-126	REV A
FINISH NONE		SCALE NONE		FILE NAME 314-126.SLDDRW		SHEET 1 OF 2	

SolidWorks Detached drawing - Out-of-Sync Print