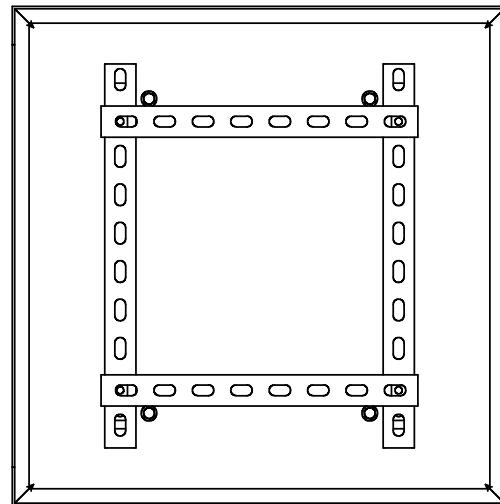
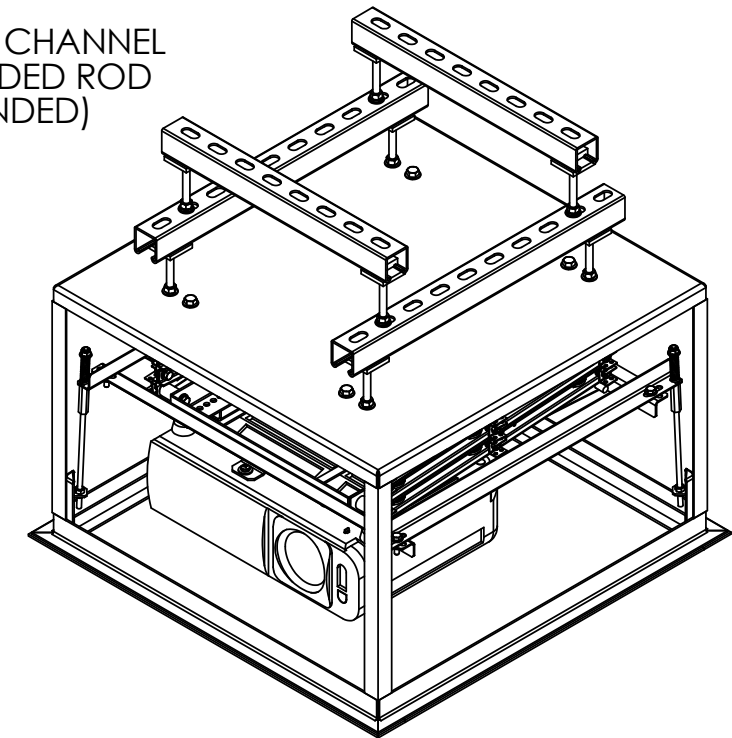


DRAWING REVISION BLOCK						
REV	ER	DESCRIPTION	DRAWN	CHECKED	APPROVED	DATE
A		RELEASE FOR PRODUCTION	RLS			



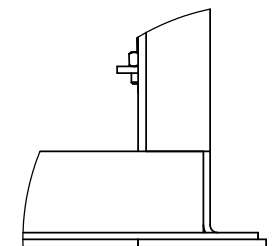
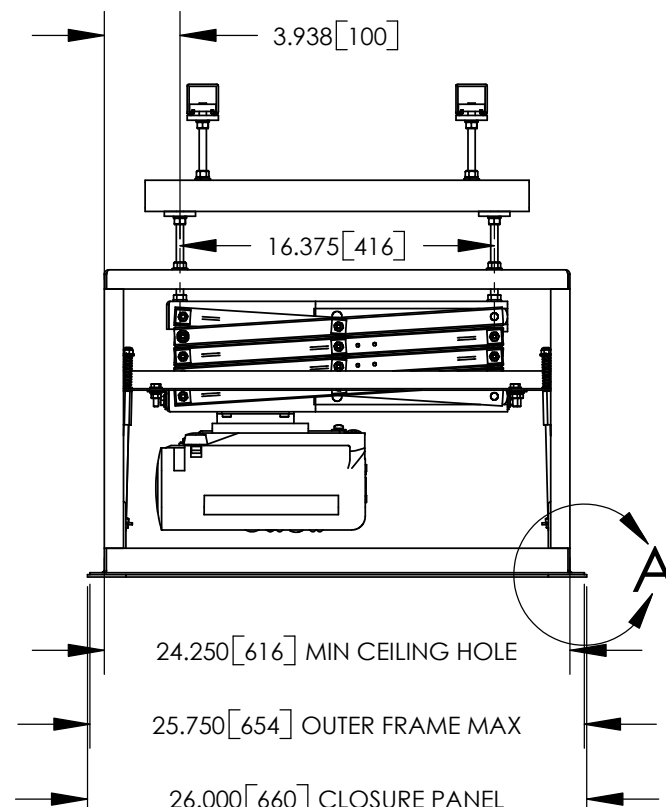
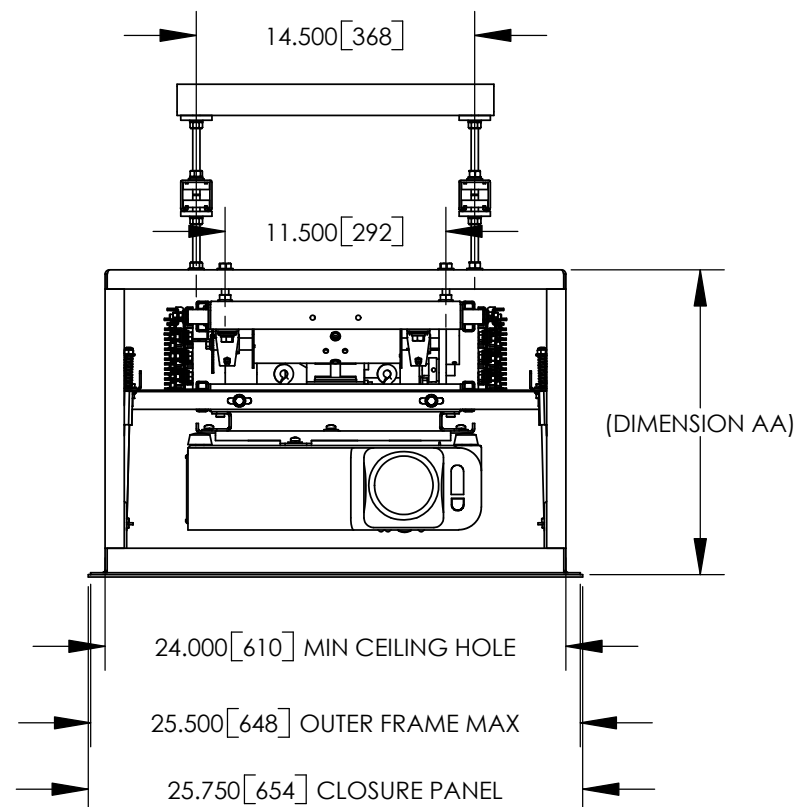
LCD SIZE	DIMENSION AA	
	INCHES	mm
LCD-104	15.875	403
LCD-105	16.875	429
LCD-106	17.875	454
LCD-107	18.875	479

UNISTRUT P1000 T CHANNEL  
AND 3/8" THREADED ROD  
(RECOMMENDED)



NOTES:

- \* UNITS = INCHES [mm].
- \* DIMENSION AA IS REQUIRED SPACE ABOVE CEILING.
- \* COMPONENTS SHOWN ARE THE EIKI LC-XE10 WITH MOUNT 73-650, LCD-104, OPT3 AND OPT1.
- \* CTB ROD LENGTH IS 10.125".
- \* OPT3 SKINS ARE REMOVED IN THESE DRAWING VIEWS.



DETAIL A  
SCALE 1:3

		<b>DISPLAY DEVICES, INC</b> 5880 SHERIDAN BLVD ARVADA, CO 80003	
THE INFORMATION CONTAINED IN THIS DRAWING IS THE PROPERTY OF DISPLAY DEVICES, INC. ANY REPRODUCTION IN PART OR WHOLE WITHOUT THE WRITTEN PERMISSION OF DISPLAY DEVICES, INC IS PROHIBITED.		UNLESS OTHERWISE SPECIFIED DIMENSIONS ARE IN INCHES.  <b>TOLERANCES:</b> .XX = ± .02 .XXX = ± .010 .XXXX = ± .0050 ANGLE = ± 0.5	
<b>DISPLAY DEVICES, INC.</b>		<b>LCD - OPT3 STD - OPT1 LIPPED - W/EIKI LC-XE10</b>	
DRAWN: RLS CHECKED:	DATE: 7/11/2005 DATE:	SIZE: <b>B</b> SCALE: NONE	DRAWING NO.: 314-128 FILE NAME: 314-128.SLDDRW
MATERIAL: NONE FINISH: NONE		REV: <b>A</b>	SHEET 1 OF 2