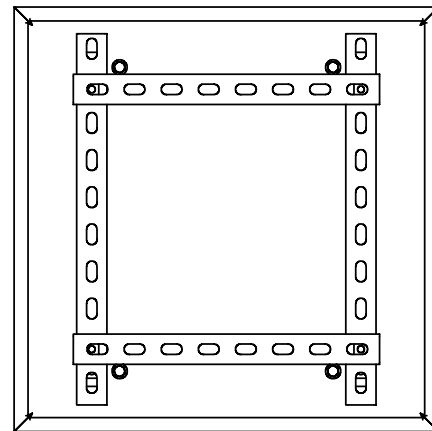
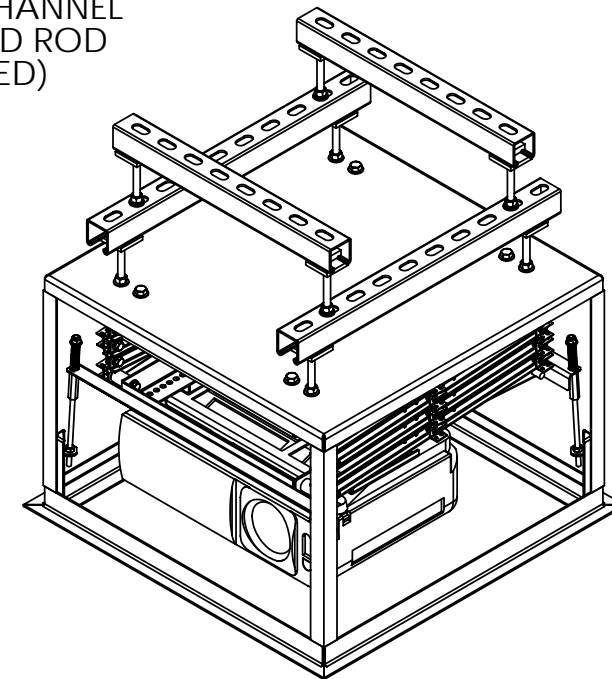


DRAWING REVISION BLOCK						
REV	ER	DESCRIPTION	DRAWN	CHECKED	APPROVED	DATE
A		RELEASED FOR PRODUCTION	JTW			4/14/2004



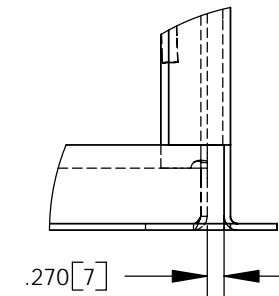
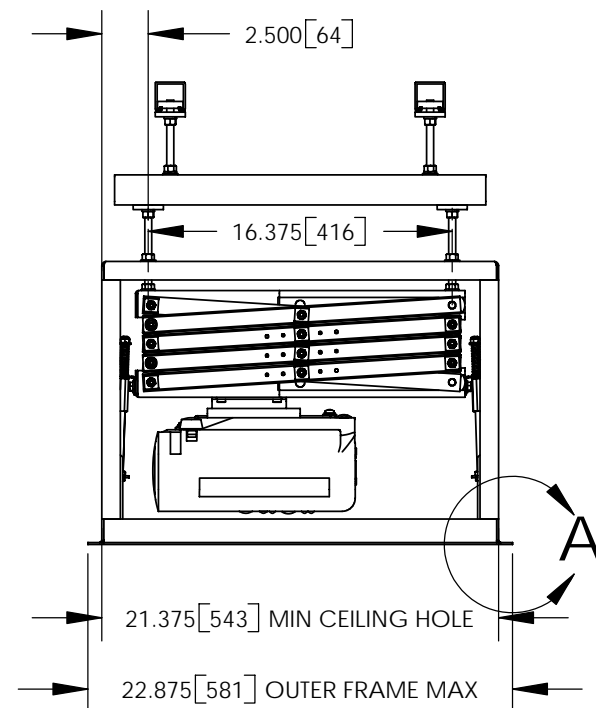
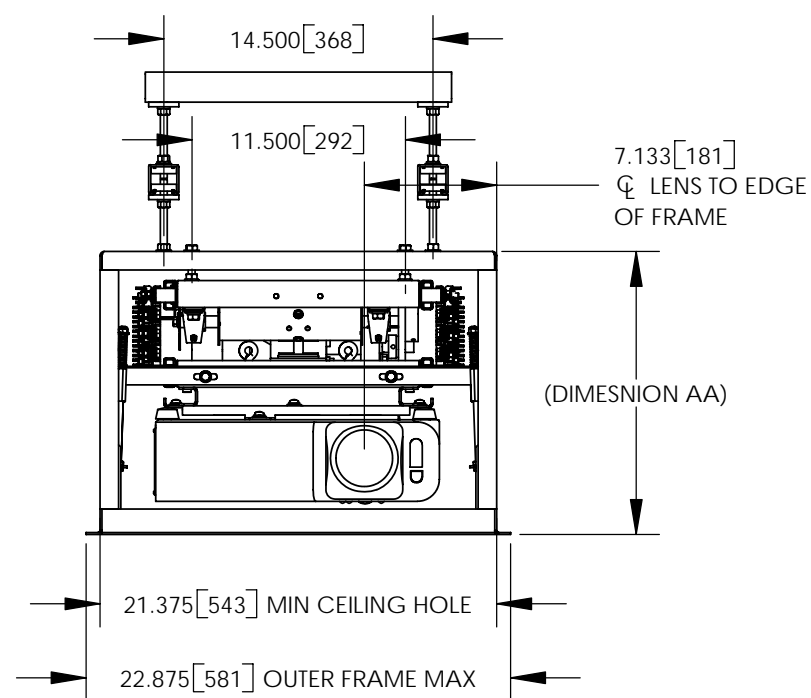
LCD SIZE	DIMENSION AA	
	INCHES	mm
LCD-104	15.250	387
LCD-105	16.250	413
LCD-106	17.250	438
LCD-107	18.250	464

UNISTRUT P1000 T CHANNEL
AND 3/8" THREADED ROD
(RECOMMENDED)



NOTES:

- * UNITS = INCHES [mm].
- * DIMENSION AA IS REQUIRED SPACE ABOVE CEILING.
- * COMPONENTS SHOWN ARE THE EIKI LC-XE10 WITH MOUNT 73-650, LCD-104, OPT3 AND OPT1.
- * CTB ROD LENGTH IS 5.625".
- * OPT3 SKINS ARE REMOVED IN THESE DRAWING VIEWS.



DETAIL A
SCALE 1 : 3

DISPLAY DEVICES INC.		DISPLAY DEVICES, INC 5880 SHERIDAN BLVD ARVADA, CO 80003	
THE INFORMATION CONTAINED IN THIS DRAWING IS THE PROPERTY OF DISPLAY DEVICES, INC. ANY REPRODUCTION IN PART OR WHOLE WITHOUT THE WRITTEN PERMISSION OF DISPLAY DEVICES, INC IS PROHIBITED		UNLESS OTHERWISE SPECIFIED DIMENSIONS ARE IN INCHES. TOLERANCES: .XX = ± .02 .XXX = ± .010 .XXXX = ± .0050 ANGLE = ± 0.5	
TITLE LCD - OPT3 2X2 - OPT1 LIPLESS - W/EIKE LC-XE10		SIZE B	REV A
DRAWN JTW	DATE 4/14/2004	DRAWING NO. 314-029	
CHECKED	DATE	SCALE NONE	FILE NAME 314-029.SLDDRW
MATERIAL NONE	FINISH NONE	SHEET 1 OF 2	