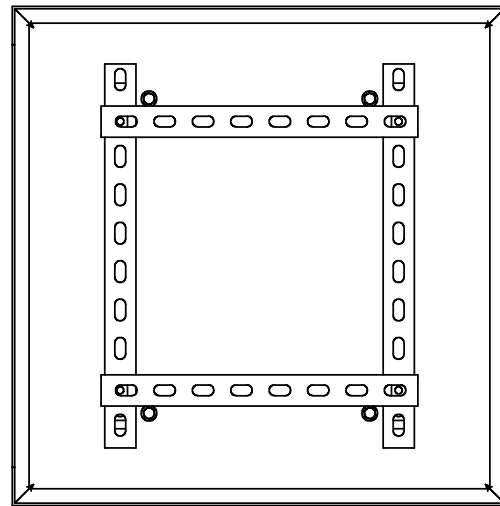
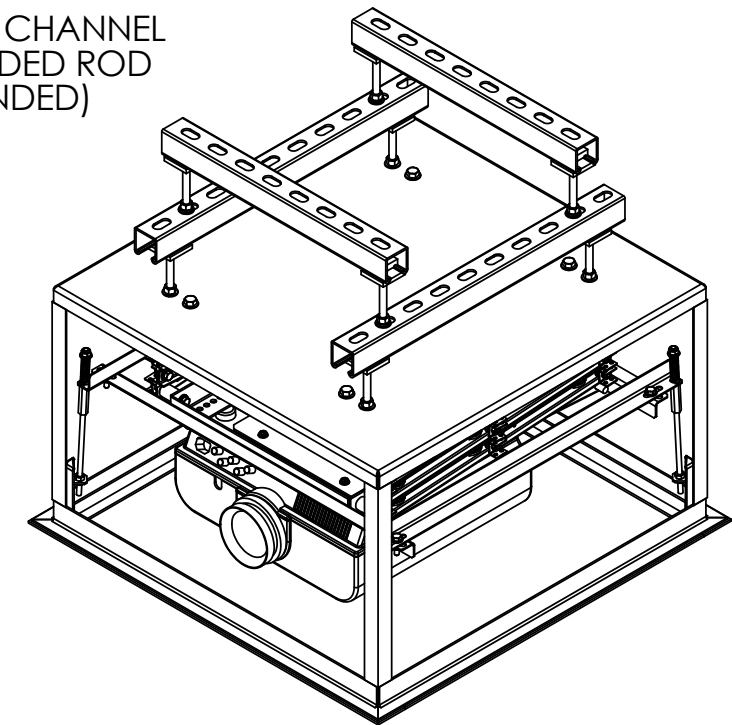


DRAWING REVISION BLOCK						
REV	ER	DESCRIPTION	DRAWN	CHECKED	APPROVED	DATE
A		RELEASE FOR PRODUCTION	RLS			



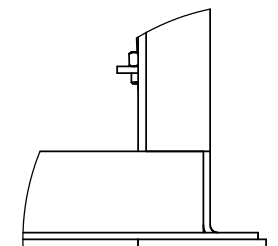
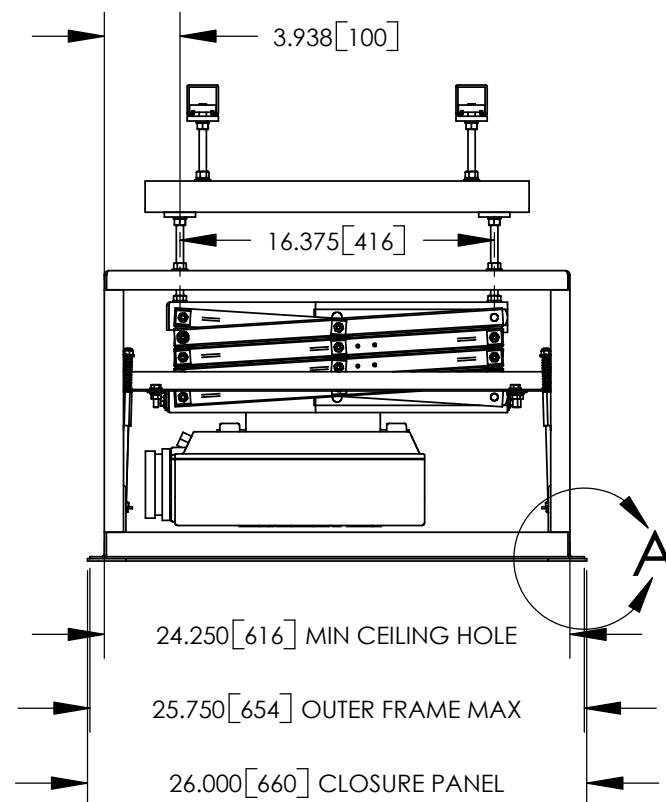
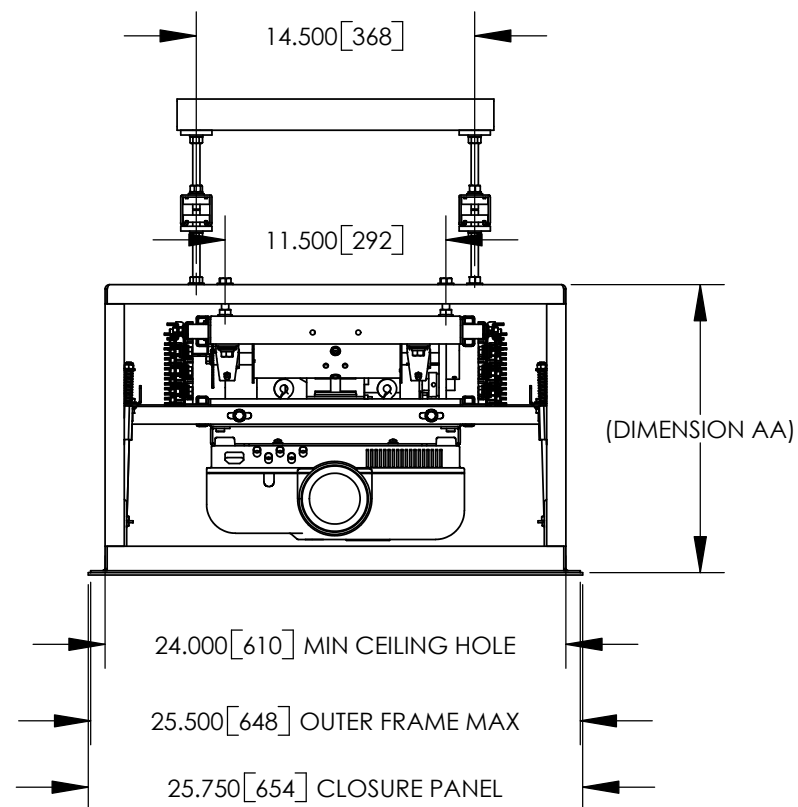
LCD SIZE	DIMENSION AA	
	INCHES	mm
LCD-104	15.000	381
LCD-105	16.000	406
LCD-106	17.000	432
LCD-107	18.000	457

UNISTRUT P1000 T CHANNEL
AND 3/8" THREADED ROD
(RECOMMENDED)



NOTES:

- * UNITS = INCHES [mm].
- * DIMENSION AA IS REQUIRED SPACE ABOVE CEILING.
- * COMPONENTS SHOWN ARE THE DWIN TRANSVISION 2 WITH MOUNT 73-346, LCD-104, OPT3 AND OPT1.
- * CTB ROD LENGTH IS 9.250".
- * OPT3 SKINS ARE REMOVED IN THESE DRAWING VIEWS.



DETAIL A
SCALE 1 : 3

		DISPLAY DEVICES, INC 5880 SHERIDAN BLVD ARVADA, CO 80003			
		TITLE LCD - OPT3 STD - OPT1 LIPPED - W/DWIN TRANSVISION 2			
THE INFORMATION CONTAINED IN THIS DRAWING IS THE PROPERTY OF DISPLAY DEVICES, INC. ANY REPRODUCTION IN PART OR WHOLE WITHOUT THE WRITTEN PERMISSION OF DISPLAY DEVICES, INC IS PROHIBITED	UNLESS OTHERWISE SPECIFIED DIMENSIONS ARE IN INCHES. TOLERANCES: .XX = ± .02 .XXX = ± .010 .XXXX = ± .0050 ANGLE = ± 0.5	DRAWN RLS	DATE 4/20/2005	SIZE B	DRAWING NO. 314-116
MATERIAL NONE	FINISH NONE	CHECKED	DATE	SCALE NONE	FILE NAME 314-116.SLDDRW
				REV A	SHEET 1 OF 2