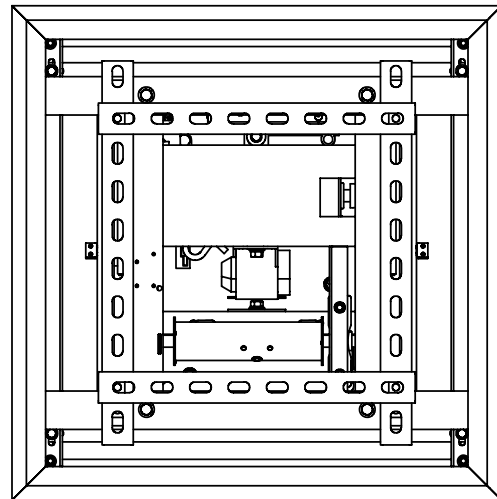
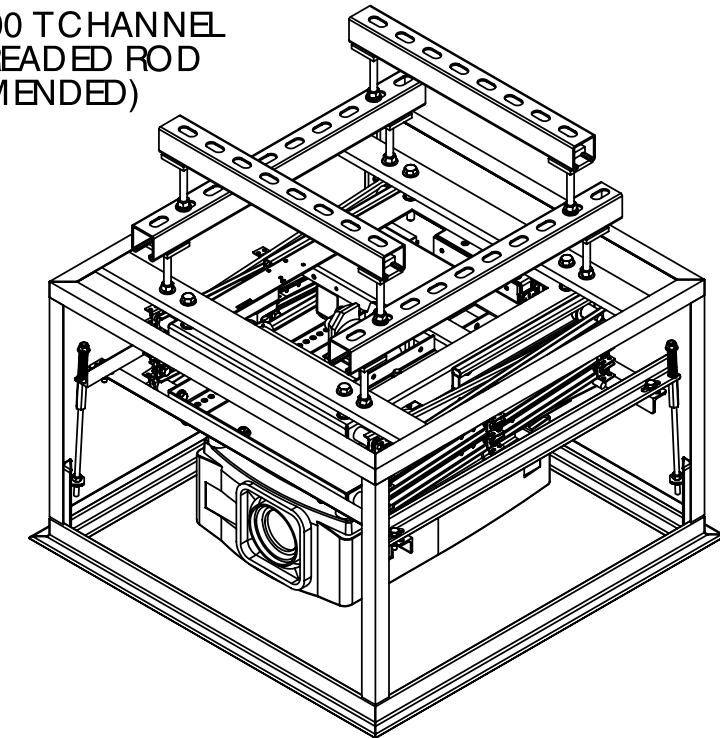


DRAWING REVISION BLOCK						
REV	ER	DESCRIPTION	DRAWN	CHECKED	APPROVED	DATE



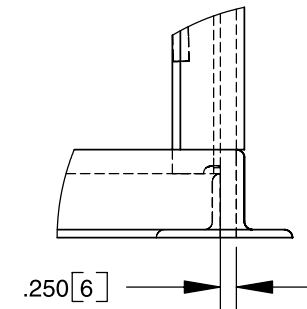
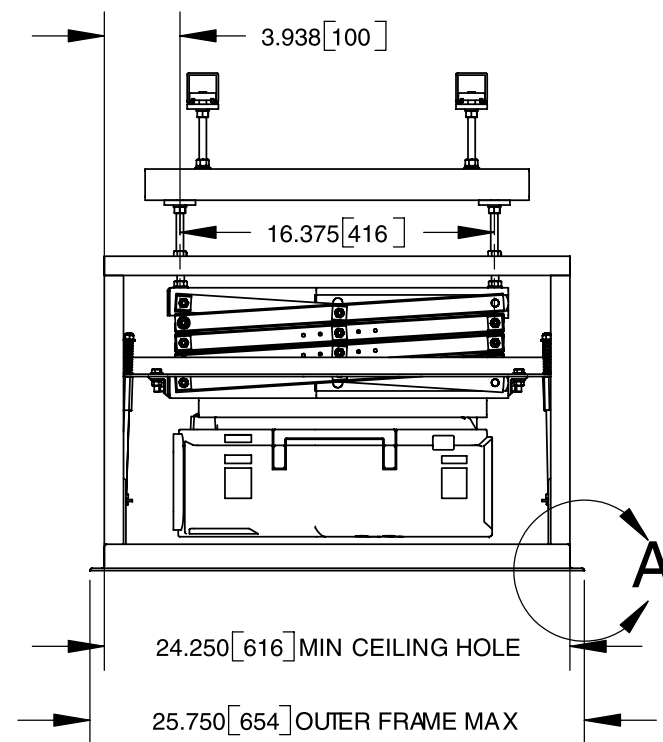
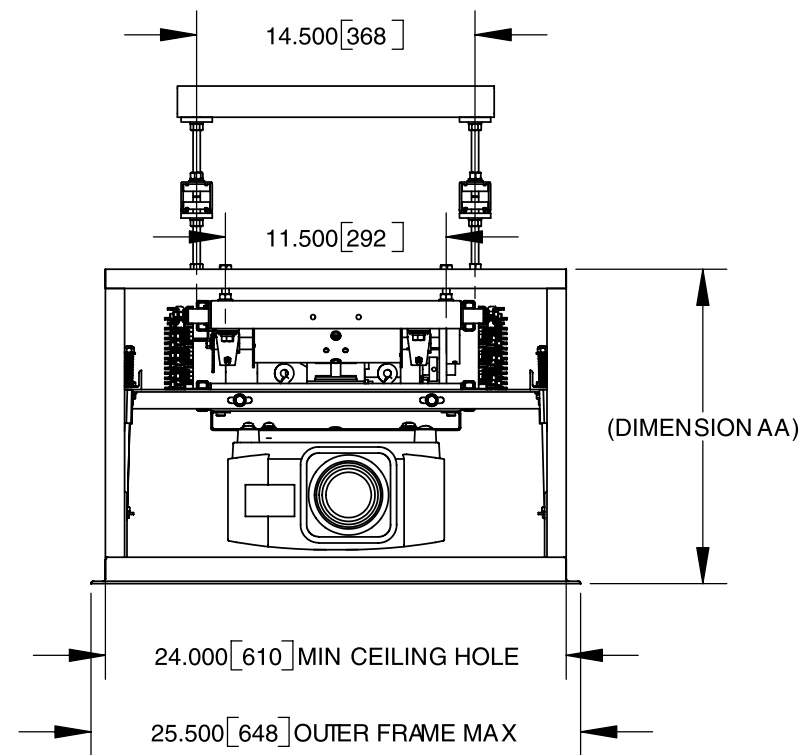
LCD SIZE	DIMENSION AA	
	INCHES	mm
LCD-104	16.375	416
LCD-105	17.375	441
LCD-106	18.375	467
LCD-107	19.375	492

UNISTRUT P1000 TCHANNEL
AND 3/8" THREADED ROD
(RECOMMENDED)



NOTES:

- * UNITS = INCHES [mm].
- * DIMENSION AA IS REQUIRED SPACE ABOVE CEILING.
- * COMPONENTS SHOWN ARE THE EKI LC-XG210 WITH MOUNT 73-375, LCD-104, OPT4 AND OPT1.
- * CTB ROD LENGTH IS 9.625".



DETAIL A
SCALE 1 : 3

		DISPLAY DEVICES, INC 5880 SHERIDAN BLVD ARVADA, CO 80003			
		LCD - OPT4 CUSTOM SIZE - OPT1 LIPLESS CHRISTIE LX32			
THE INFORMATION CONTAINED IN THIS DRAWING IS THE PROPERTY OF DISPLAY DEVICES, INC. ANY REPRODUCTION IN PART OR WHOLE WITHOUT THE WRITTEN PERMISSION OF DISPLAY DEVICES, INC IS PROHIBITED.		UNLESS OTHERWISE SPECIFIED DIMENSIONS ARE IN INCHES. TOLERANCES: .XX = ± .02 .XXX = ± .010 .XXXX = ± .0050 ANGLE = ± 0.5		TITLE LCD - OPT4 CUSTOM SIZE - OPT1 LIPLESS CHRISTIE LX32	REV A
DRAWN RLS	DATE 6/25/2004	SIZE B	DRAWING NO. 314-050	SHEET 1 OF 2	
CHECKED	DATE	SCALE NONE	FILE NAME 314-050.SLDDRW		
MATERIAL NONE	FINISH NONE				