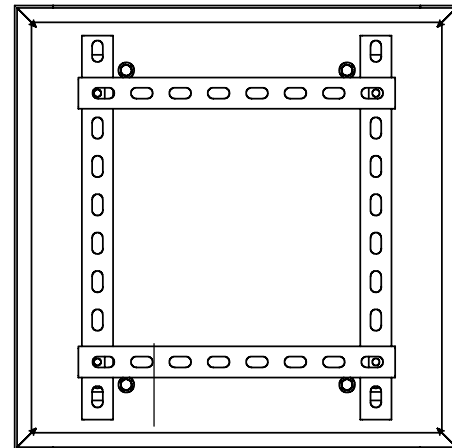
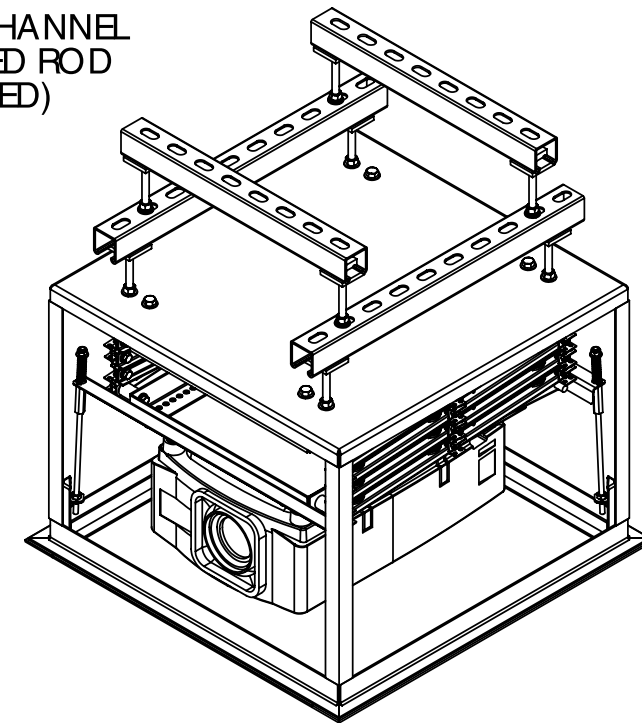


DRAWING REVISION BLOCK						
REV	ER	DESCRIPTION	DRAWN	CHECKED	APPROVED	DATE



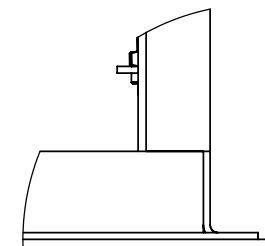
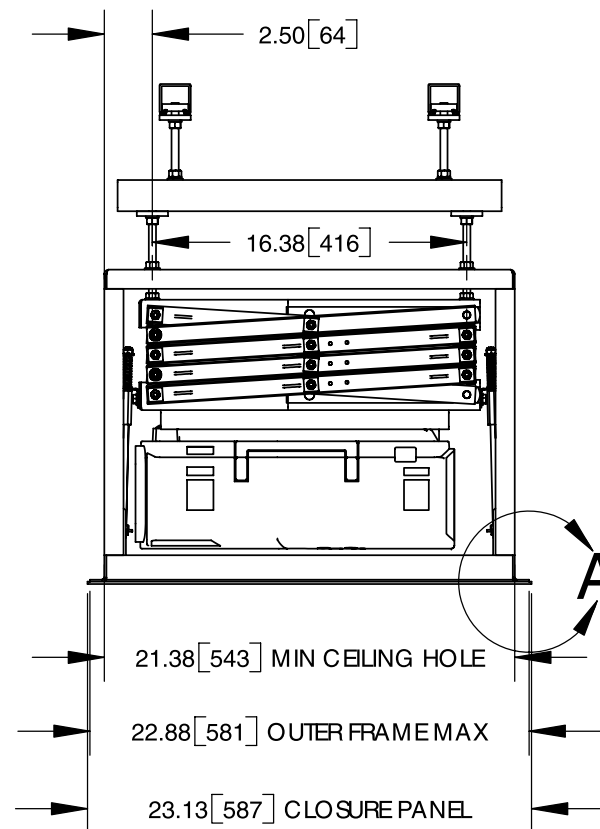
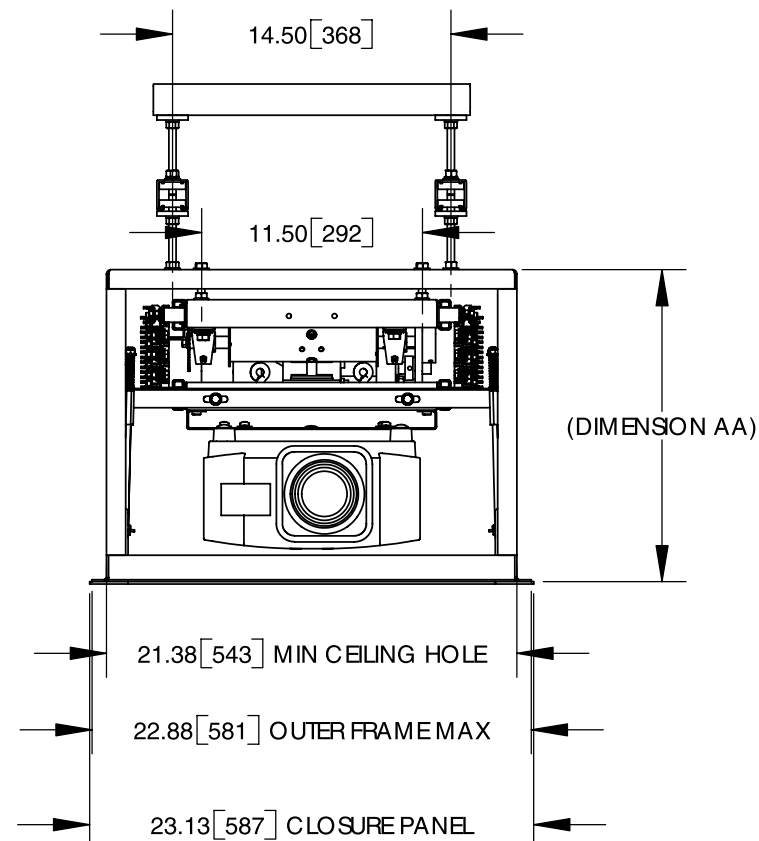
LCD SIZE	DIMENSION AA	
	INCHES	mm
LCD-104	16.250	413
LCD-105	17.250	438
LCD-106	18.250	464
LCD-107	19.250	489

UNISTRUT P1000 T CHANNEL  
AND 3/8" THREADED ROD  
(RECOMMENDED)



**NOTES**

- \* UNITS = INCHES [mm].
- \* DIMENSION AA IS REQUIRED SPACE ABOVE CEILING.
- \* COMPONENTS SHOWN ARE THE EKI XG-210 WITH MOUNT 73-375, LCD-104, OPT3 AND OPT1.
- \* CTB ROD LENGTH IS 10.500".
- \* OPT3 SKINS ARE REMOVED IN THESE DRAWING VIEWS.



DETAIL A  
SCALE 1:3

		<b>DISPLAY DEVICES, INC</b> 5880 SHERIDAN BLVD ARVADA, CO 80003					
		TITLE <b>LCD - OPT3 2X2 - OPT1 LIPPED - CHRISTIE LX-32</b>					
THE INFORMATION CONTAINED IN THIS DRAWING IS THE PROPERTY OF DISPLAY DEVICES, INC. ANY REPRODUCTION IN PART OR WHOLE WITHOUT THE WRITTEN PERMISSION OF DISPLAY DEVICES, INC IS PROHIBITED.	UNLESS OTHERWISE SPECIFIED DIMENSIONS ARE IN INCHES.	<b>TOLERANCES</b> .XX = ± .02 .XXX = ± .010 .XXXX = ± .0050 ANGLE = ± 0.5	DRAWN <b>RLS</b>	DATE 1/28/2005	SIZE <b>B</b>	DRAWING NO. <b>314-101</b>	REV <b>A</b>
CHECKED	DATE	MATERIAL <b>NONE</b>	FINISH <b>NONE</b>	SCALE <b>NONE</b>	FILE NAME <b>314-101.SLDDRW</b>	SHEET 1 OF 2	