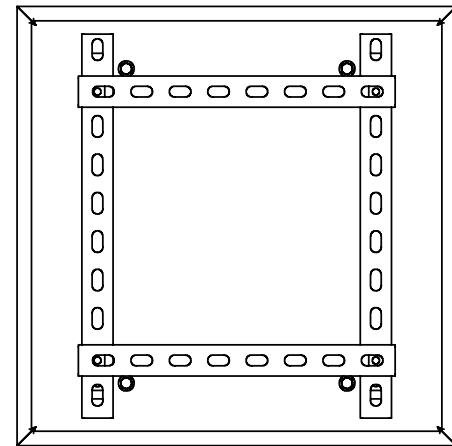
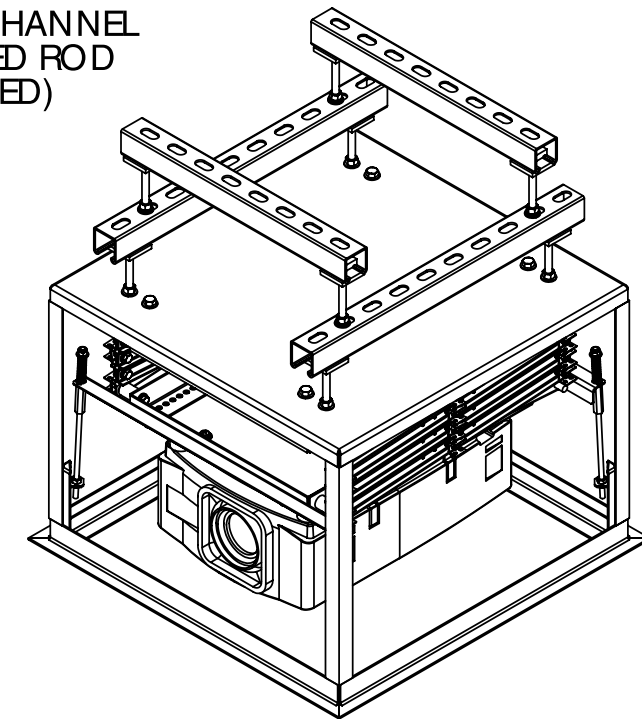


| DRAWING REVISION BLOCK |    |             |       |         |          |      |
|------------------------|----|-------------|-------|---------|----------|------|
| REV                    | ER | DESCRIPTION | DRAWN | CHECKED | APPROVED | DATE |
|                        |    |             |       |         |          |      |



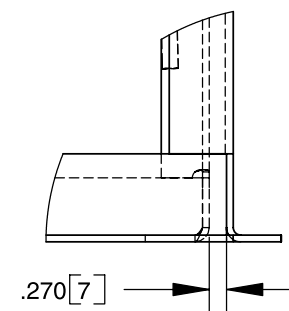
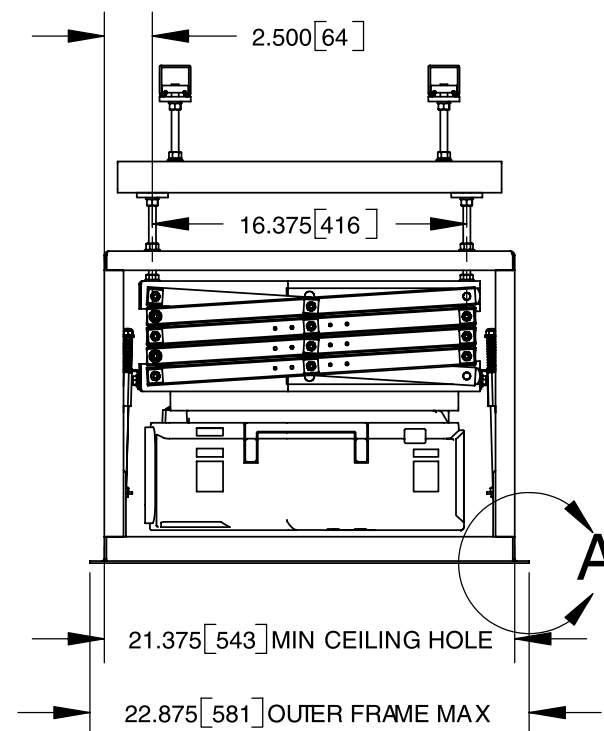
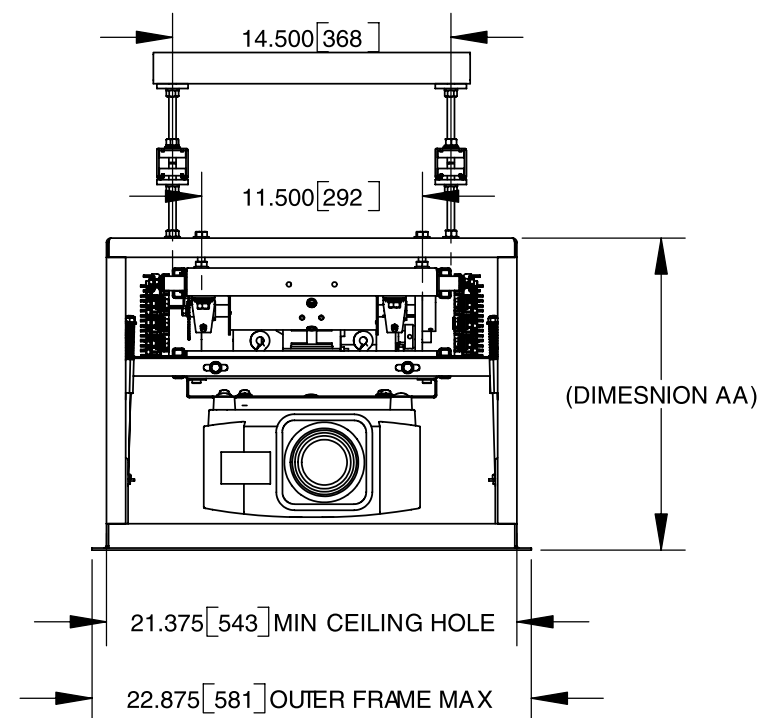
| LCD SIZE | DIMENSION AA |     |
|----------|--------------|-----|
|          | INCHES       | mm  |
| LCD-104  | 16.250       | 413 |
| LCD-105  | 17.250       | 438 |
| LCD-106  | 18.250       | 464 |
| LCD-107  | 19.250       | 489 |

UNISTRUT P1000 T CHANNEL  
AND 3/8" THREADED ROD  
(RECOMMENDED)



NOTES:

- \* UNITS = INCHES [mm].
- \* DIMENSION AA IS REQUIRED SPACE ABOVE CEILING.
- \* COMPONENTS SHOWN ARE THE SANYO PLC-XT-16 WITH MOUNT 73-375, LCD-104, OPT3 AND OPT1.
- \* CTB ROD LENGTH IS 9.500".
- \* OPT3 SKINS ARE REMOVED IN THESE DRAWING VIEWS.



DETAIL A  
SCALE 1 : 3

|   |  |   |  |   |                           |
|---|--|---|--|---|---------------------------|
| <b>DISPLAY DEVICES INC.</b>   |  | <b>DISPLAY DEVICES, INC</b><br>5880 SHERIDAN BLVD<br>ARVADA, CO 80003 |  |   |                           |
| THE INFORMATION CONTAINED IN THIS DRAWING IS THE PROPERTY OF DISPLAY DEVICES, INC. ANY REPRODUCTION IN PART OR WHOLE WITHOUT THE WRITTEN PERMISSION OF DISPLAY DEVICES, INC IS PROHIBITED |  | UNLESS OTHERWISE SPECIFIED DIMENSIONS ARE IN INCHES.                  |  | TOLERANCES:<br>.XX = ± .02<br>.XXX = ± .010<br>.XXXX = ± .0050<br>ANGLE = ± 0.5 |                           |
| DRAWN: RLS  |  | DATE: 9/8/2004  |  | SIZE: <b>B</b>  | DRAWING NO.: 314-077      |
| CHECKED:  |  | DATE:   |  | MATERIAL: NONE  | FILE NAME: 314-077.SLDDRW |
| FINISH: NONE  |  | SCALE: NONE   |  | REV: <b>A</b>   | SHEET 1 OF 2              |