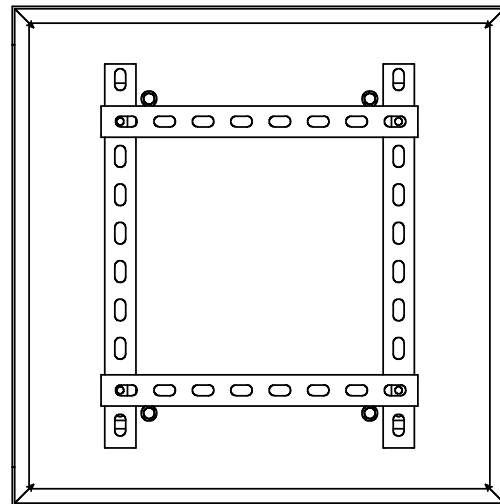
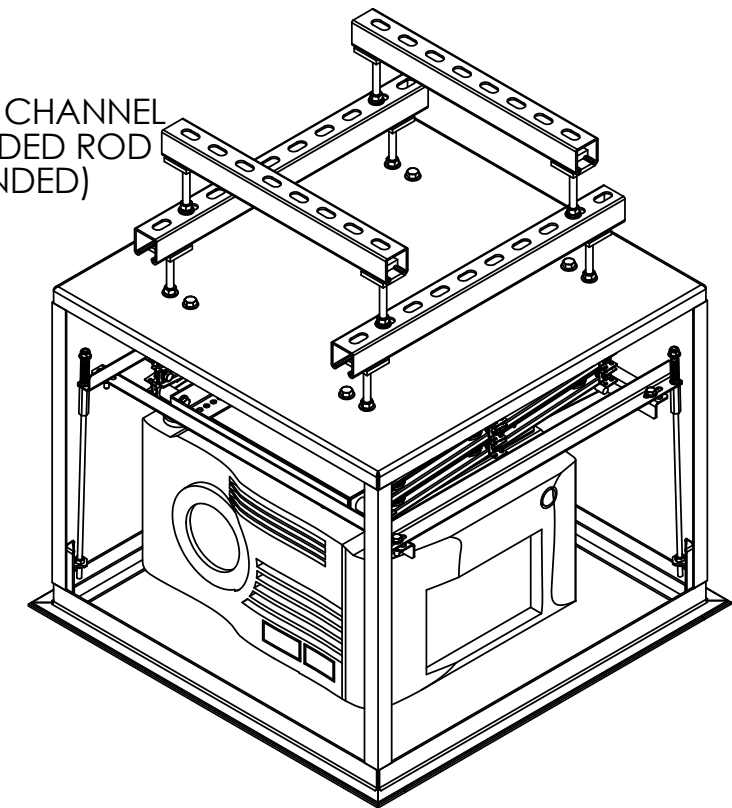


DRAWING REVISION BLOCK						
REV	ER	DESCRIPTION	DRAWN	CHECKED	APPROVED	DATE

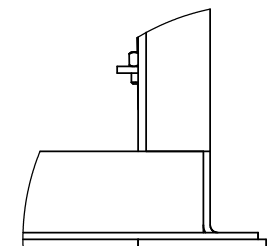
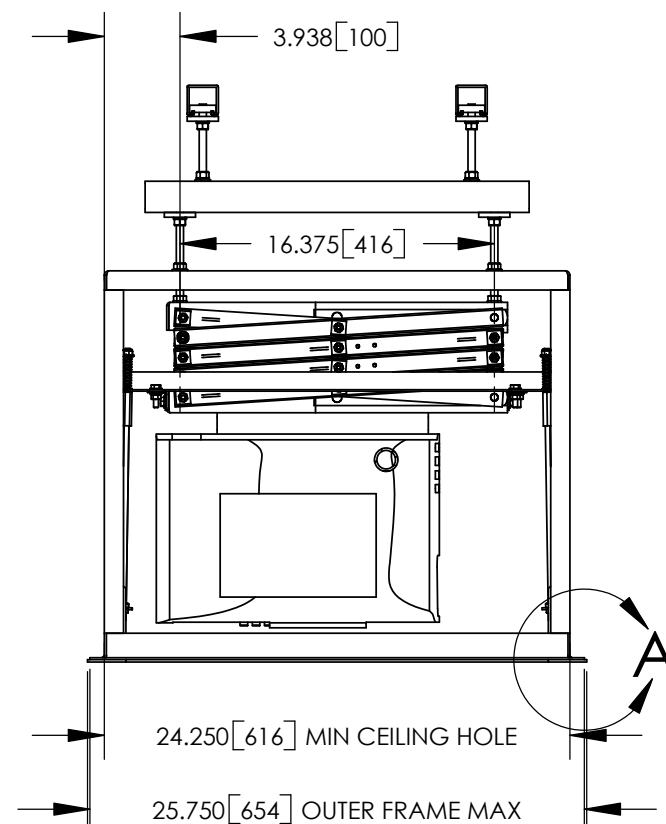
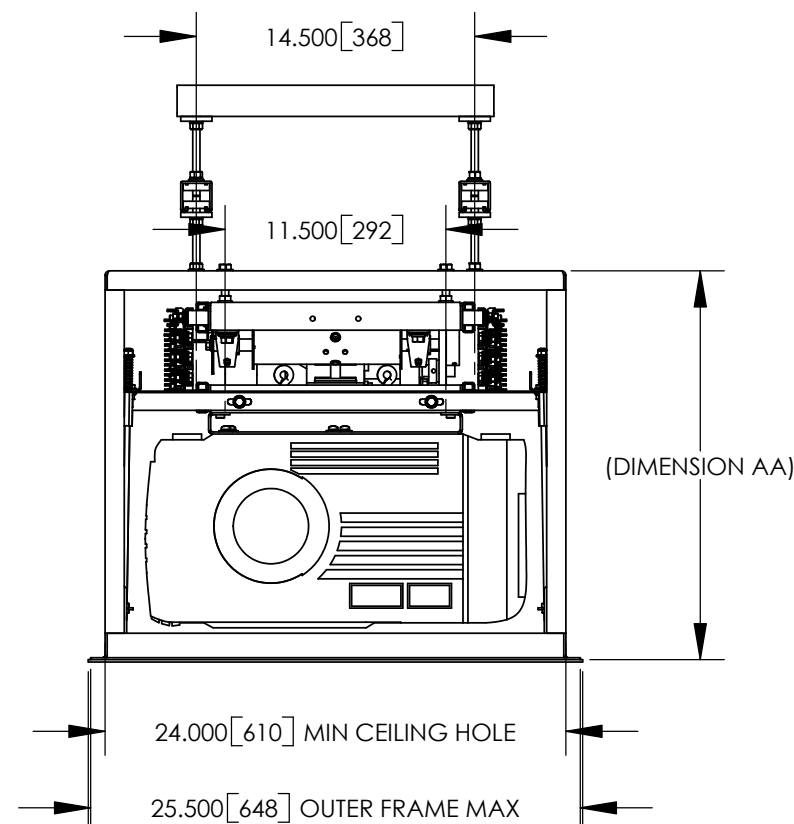


LCD SIZE	DIMENSION AA	
	INCHES	mm
LCD-104	20.250	514
LCD-105	21.250	540
LCD-106	22.250	565
LCD-107	23.250	591

UNISTRUT P1000 T CHANNEL AND 3/8" THREADED ROD (RECOMMENDED)



- NOTES:
- * UNITS = INCHES [mm].
 - * DIMENSION AA IS REQUIRED SPACE ABOVE CEILING.
 - * COMPONENTS SHOWN ARE THE CHRISTIE DS+60 WITH MOUNT 73-329, LCD-104, OPT4 AND OPT1.
 - * CTB ROD LENGTH IS 14.500".



DETAIL A
SCALE 1:3

		DISPLAY DEVICES, INC 5880 SHERIDAN BLVD ARVADA, CO 80003	
<small>THE INFORMATION CONTAINED IN THIS DRAWING IS THE PROPERTY OF DISPLAY DEVICES, INC. ANY REPRODUCTION IN PART OR WHOLE WITHOUT THE WRITTEN PERMISSION OF DISPLAY DEVICES, INC IS PROHIBITED</small>		<small>UNLESS OTHERWISE SPECIFIED DIMENSIONS ARE IN INCHES.</small> TOLERANCES: .XX = ± .02 .XXX = ± .010 .XXXX = ± .0050 ANGLE = ± 0.5	
<small>1/2005</small>		SIZE B	DRAWING NO. 314-125
FINISH NONE		SCALE NONE	FILE NAME 314-125.SLDDRW
TITLE LCD - OPT4 STD - OPT1 LIPPED - W/CHRISTIE DS+60		REV A	SHEET 1 OF 2

SolidWorks Detached drawing - Out-of-Sync Print