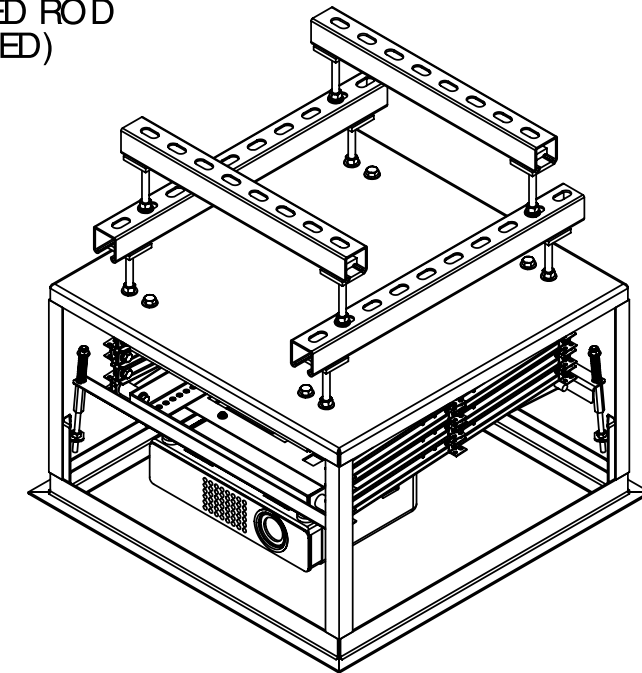
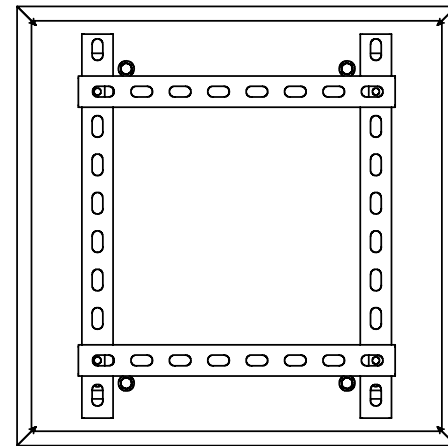


DRAWING REVISION BLOCK						
REV	ER	DESCRIPTION	DRAWN	CHECKED	APPROVED	DATE

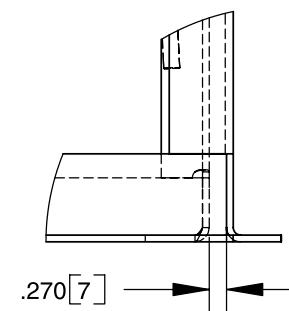
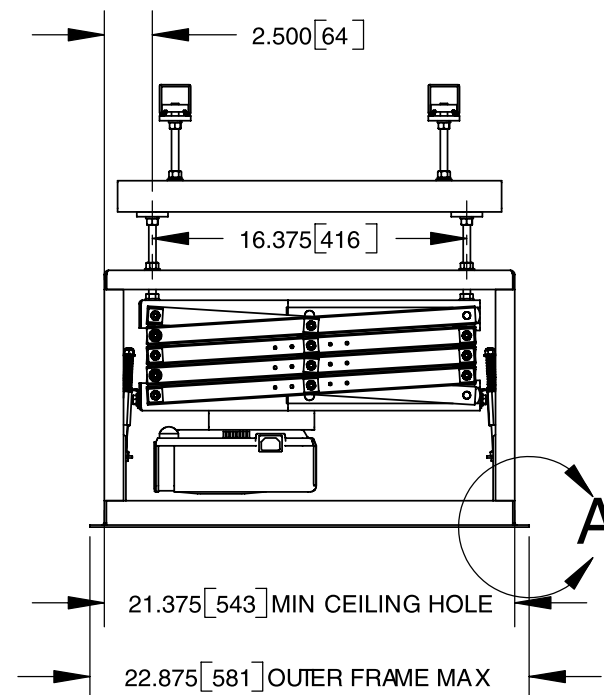
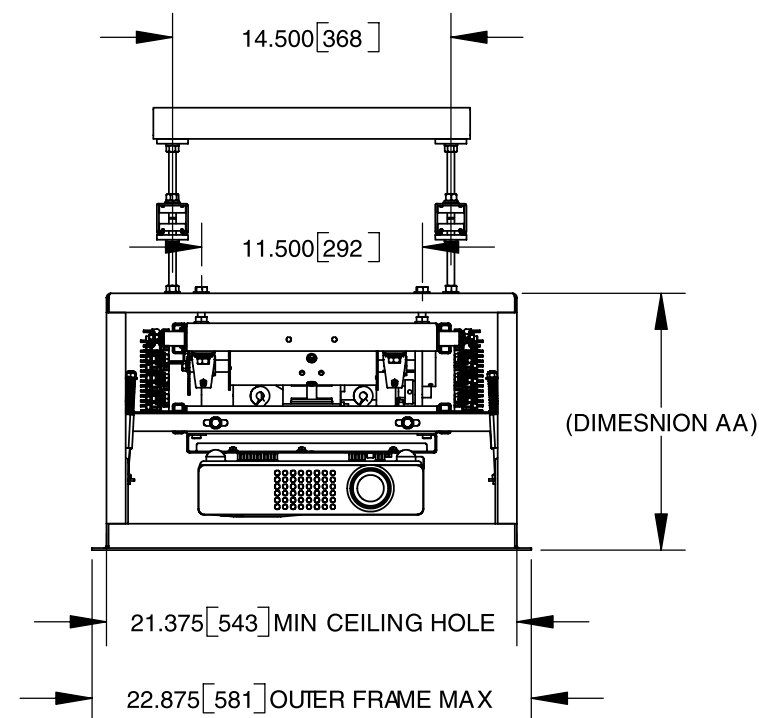
LCD SIZE	DIMENSION AA	
	INCHES	mm
LCD-104	13.375	340
LCD-105	14.375	365
LCD-106	15.375	391
LCD-107	16.375	416

UNISTRUT P1000 T CHANNEL
AND 3/8" THREADED ROD
(RECOMMENDED)



NOTES:

- * UNITS = INCHES [mm].
- * DIMENSION AA IS REQUIRED SPACE ABOVE CEILING.
- * COMPONENTS SHOWN ARE THE (PROJECTOR NAME HERE) WITH MOUNT (MNT PART# HERE), LCD-104, OPT3 AND OPT1.
- * CTB ROD LENGTH IS 7.000".
- * OPT3 SKINS ARE REMOVED IN THESE DRAWING VIEWS.



DETAIL A
SCALE 1:3

		DISPLAY DEVICES, INC 5880 SHERIDAN BLVD ARVADA, CO 80003				
		TITLE LCD - OPT3 2X2 - OPT1 LIPLESS - CANON LV-7210				
THE INFORMATION CONTAINED IN THIS DRAWING IS THE PROPERTY OF DISPLAY DEVICES, INC. ANY REPRODUCTION IN PART OR WHOLE WITHOUT THE WRITTEN PERMISSION OF DISPLAY DEVICES, INC IS PROHIBITED.	UNLESS OTHERWISE SPECIFIED DIMENSIONS ARE IN INCHES. TOLERANCES: .XX = ± .02 .XXX = ± .010 .XXXX = ± .0050 ANGLE = ± 0.5	DRAWN RLS	DATE 6/10/2004	SIZE B	DRAWING NO. 314-047	REV A
MATERIAL NONE	FINISH NONE	SCALE NONE	FILE NAME 314-047.SLDDRW	SHEET 1 OF 2		