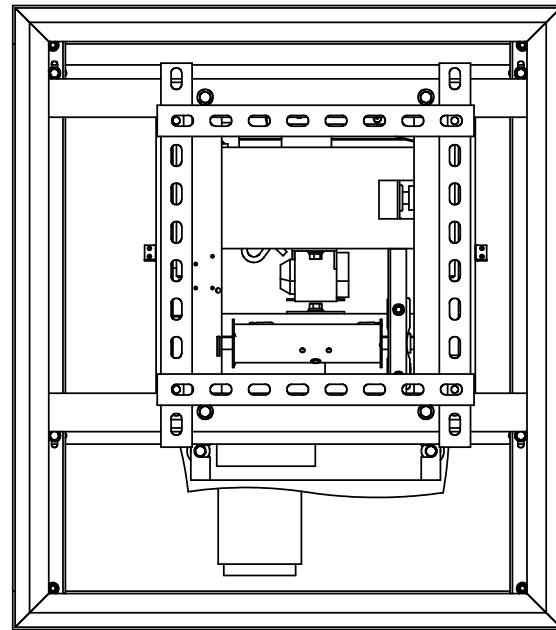


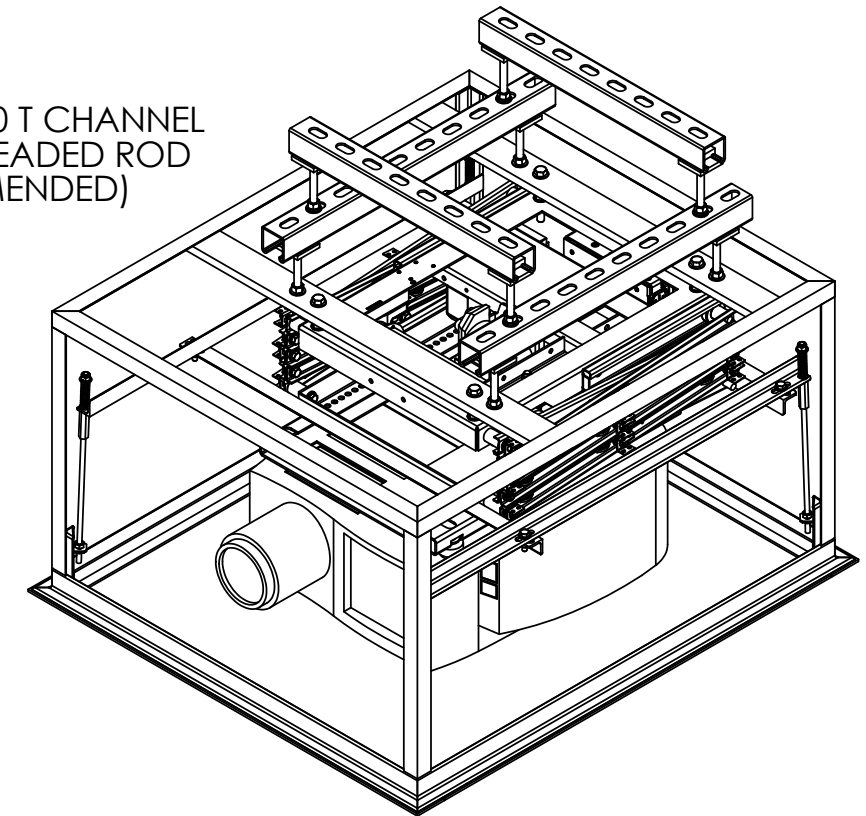
DRAWING REVISION BLOCK

REV	ER	DESCRIPTION	DRAWN	CHECKED	APPROVED	DATE

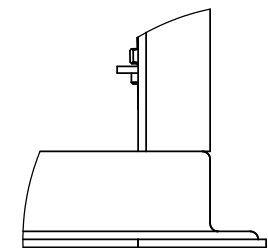
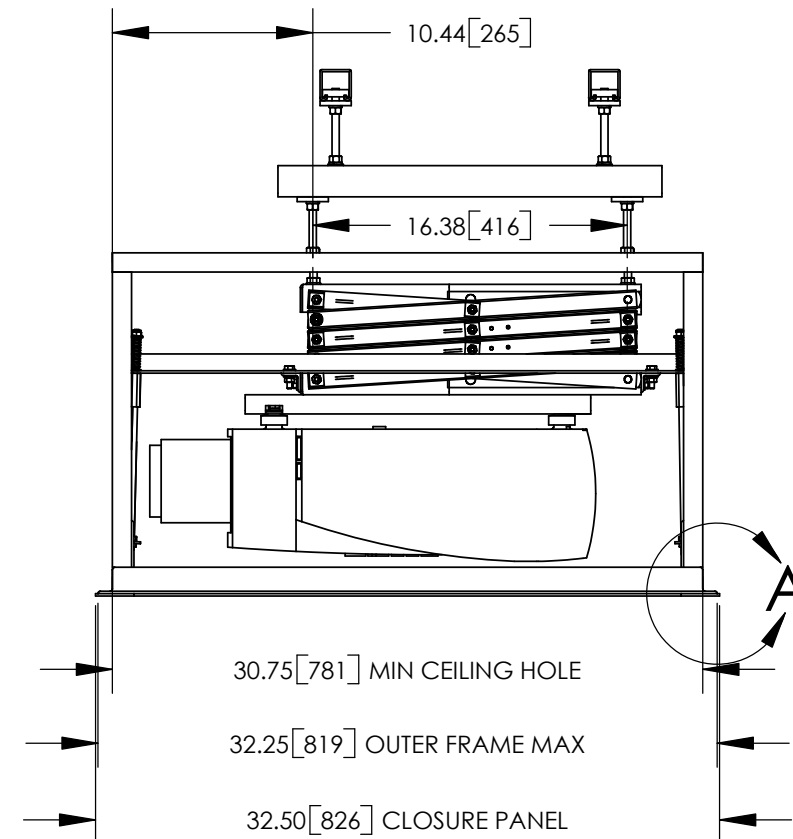
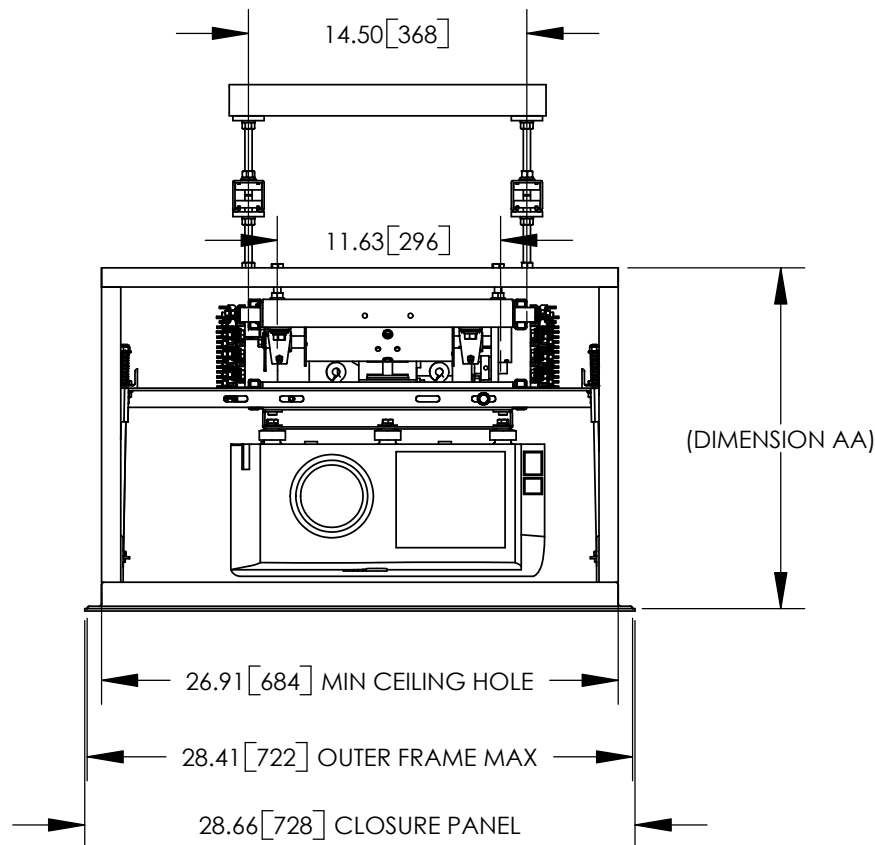


LCD SIZE	DIMENSION AA	
	INCHES	mm
LCD-104	17.750	451
LCD-105	18.750	476
LCD-106	19.750	502
LCD-107	20.750	527

UNISTRUT P1000 T CHANNEL AND 3/8" THREADED ROD (RECOMMENDED)



- NOTES:
- \* UNITS = INCHES [mm].
  - \* DIMENSION AA IS REQUIRED SPACE ABOVE CEILING.
  - \* COMPONENTS SHOWN ARE THE BARCO IQG300 WITH MOUNT 73-627, LCD-104, OPT3 AND OPT1.
  - \* CTB ROD LENGTH IS 12.000".
  - \* OPT3 SKINS ARE REMOVED IN THESE DRAWING VIEWS.



DETAIL A  
SCALE 1 : 3

		<b>DISPLAY DEVICES, INC</b> 5880 SHERIDAN BLVD ARVADA, CO 80003			
		TITLE <b>LCD - OPT3 OFFSET SIZE - OPT1 LIPPED - W/BARCO IQG300</b>			
THE INFORMATION CONTAINED IN THIS DRAWING IS THE PROPERTY OF DISPLAY DEVICES, INC. ANY REPRODUCTION IN PART OR WHOLE WITHOUT THE WRITTEN PERMISSION OF DISPLAY DEVICES, INC IS PROHIBITED	UNLESS OTHERWISE SPECIFIED DIMENSIONS ARE IN INCHES.  TOLERANCES: .XX = ± .02 .XXX = ± .010 .XXXX = ± .0050 ANGLE = ± 0.5	DRAWN RLS	DATE 1/27/2005	SIZE <b>B</b>	DRAWING NO. 314-099
MATERIAL NONE	FINISH NONE	CHECKED	DATE	SCALE NONE	FILE NAME 314-099.SLDDRW
				REV B	SHEET 1 OF 2