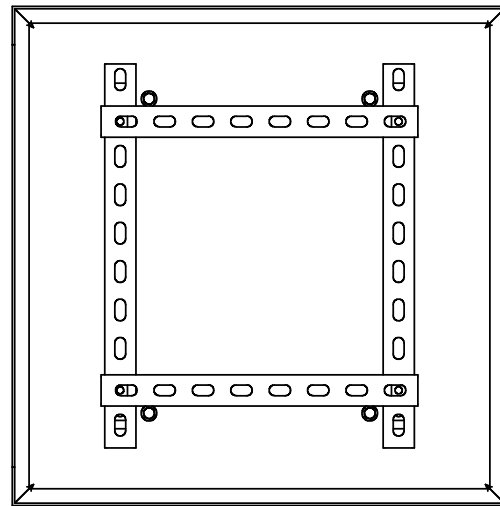
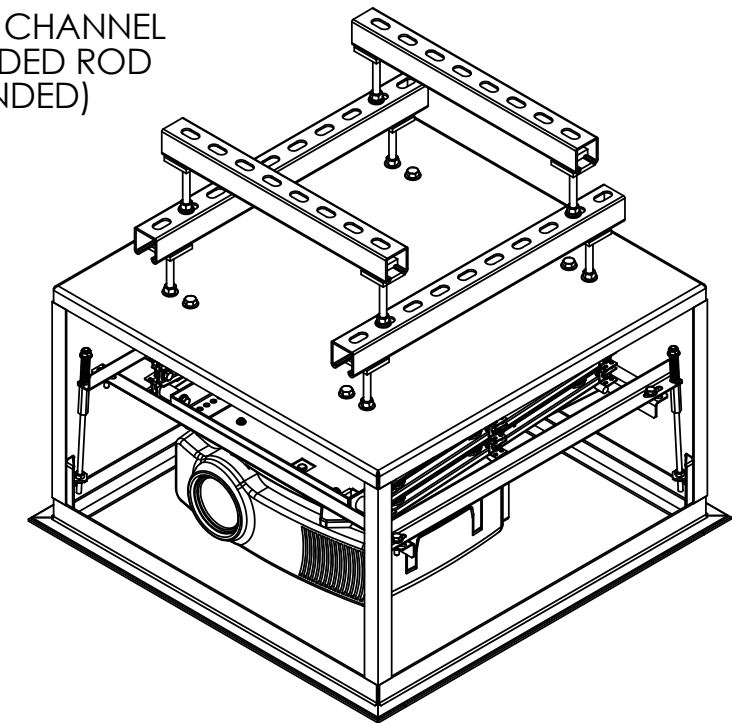


DRAWING REVISION BLOCK						
REV	ER	DESCRIPTION	DRAWN	CHECKED	APPROVED	DATE

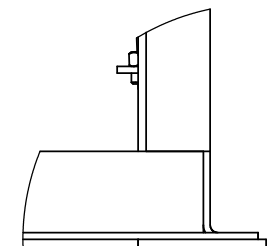
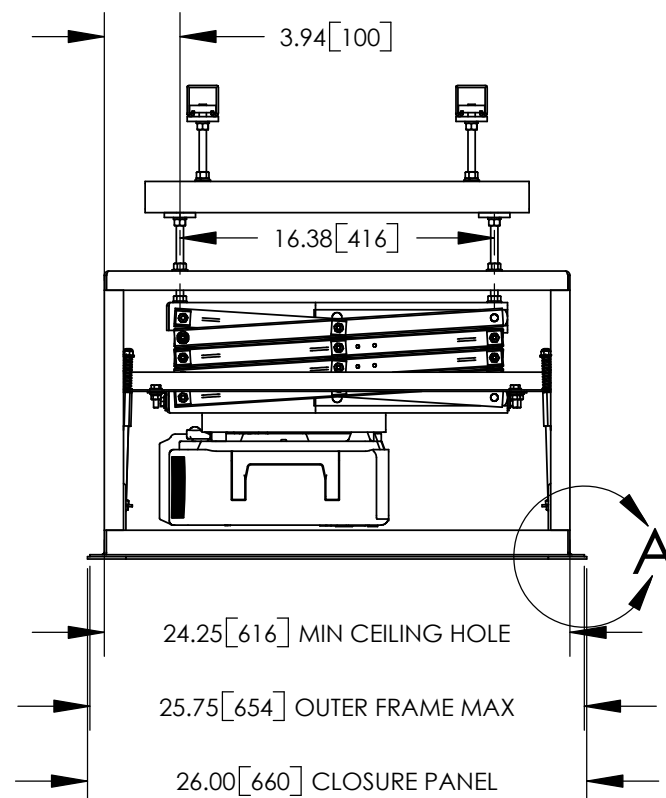
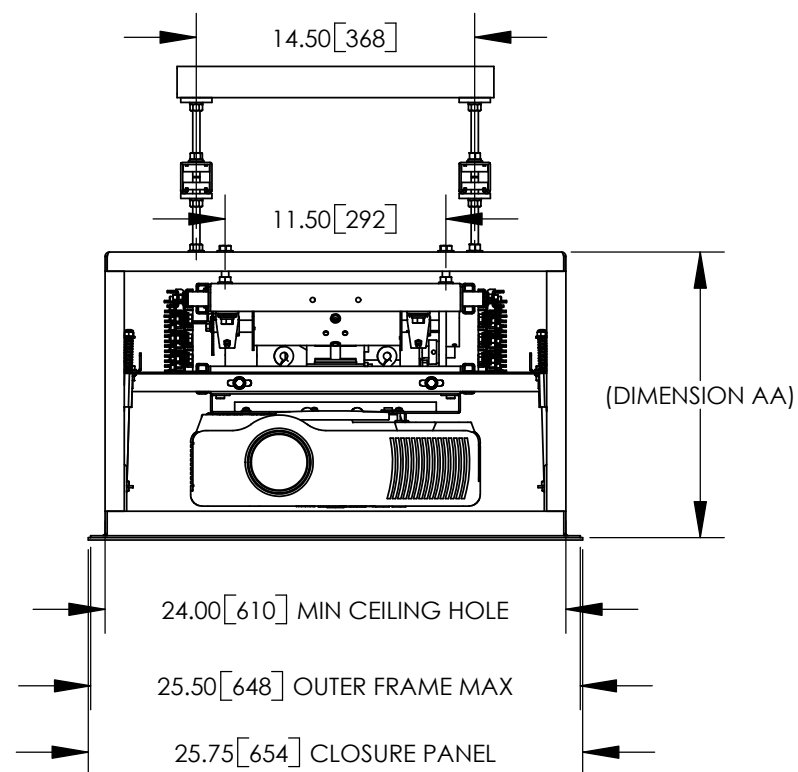


LCD SIZE	DIMENSION AA	
	INCHES	mm
LCD-104	14.875	378
LCD-105	15.875	403
LCD-106	16.875	429
LCD-107	17.875	454

UNISTRUT P1000 T CHANNEL
AND 3/8" THREADED ROD
(RECOMMENDED)



- NOTES:
- * UNITS = INCHES [mm].
 - * DIMENSION AA IS REQUIRED SPACE ABOVE CEILING.
 - * COMPONENTS SHOWN ARE THE 3M LP8790 WITH MOUNT 73-240, LCD-104, OPT4 AND OPT1.
 - * CTB ROD LENGTH IS 9.125".



DETAIL A
SCALE 1 : 3

		DISPLAY DEVICES, INC 5880 SHERIDAN BLVD ARVADA, CO 80003				
		TITLE LCD - OPT4 STD - OPT1 LIPPED - W/3M MP8790				
THE INFORMATION CONTAINED IN THIS DRAWING IS THE PROPERTY OF DISPLAY DEVICES, INC. ANY REPRODUCTION IN PART OR WHOLE WITHOUT THE WRITTEN PERMISSION OF DISPLAY DEVICES, INC IS PROHIBITED	UNLESS OTHERWISE SPECIFIED DIMENSIONS ARE IN INCHES. TOLERANCES: .XX = ± .02 .XXX = ± .010 .XXXX = ± .0050 ANGLE = ± 0.5	DRAWN RLS	DATE 4/7/2005	SIZE B	DRAWING NO. 314-112	REV A
MATERIAL NONE	FINISH NONE	SCALE NONE	FILE NAME 314-112.SLDDRW	SHEET 1 OF 2		