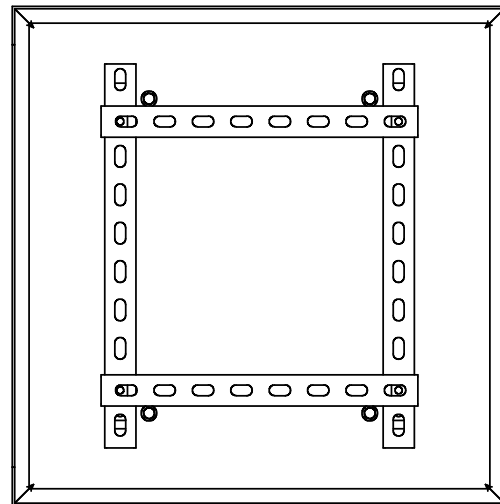


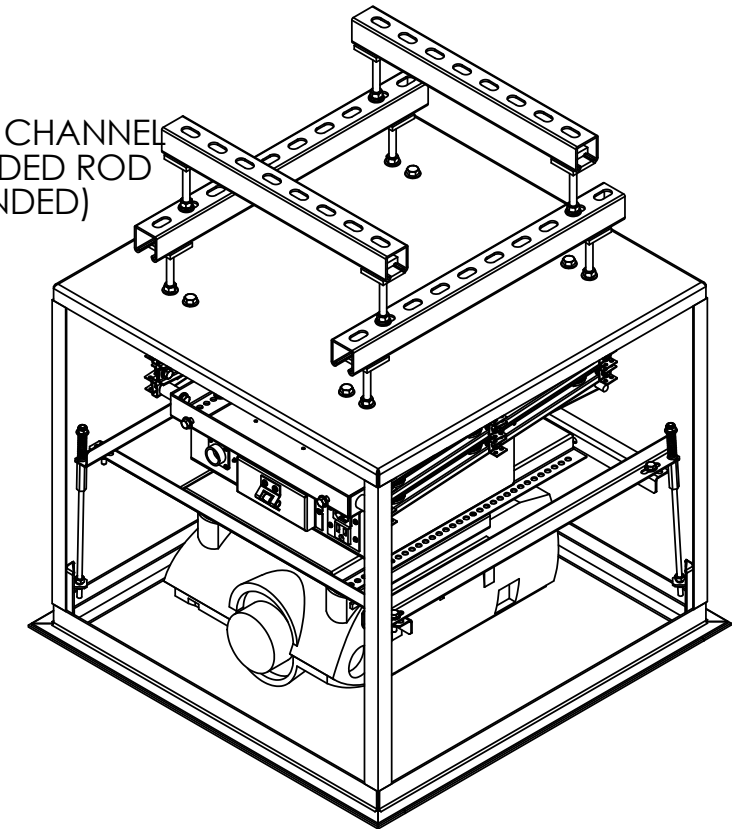
DRAWING REVISION BLOCK

REV	ER	DESCRIPTION	DRAWN	CHECKED	APPROVED	DATE



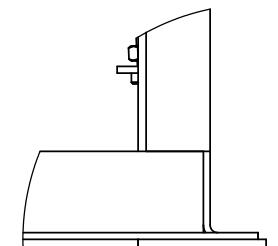
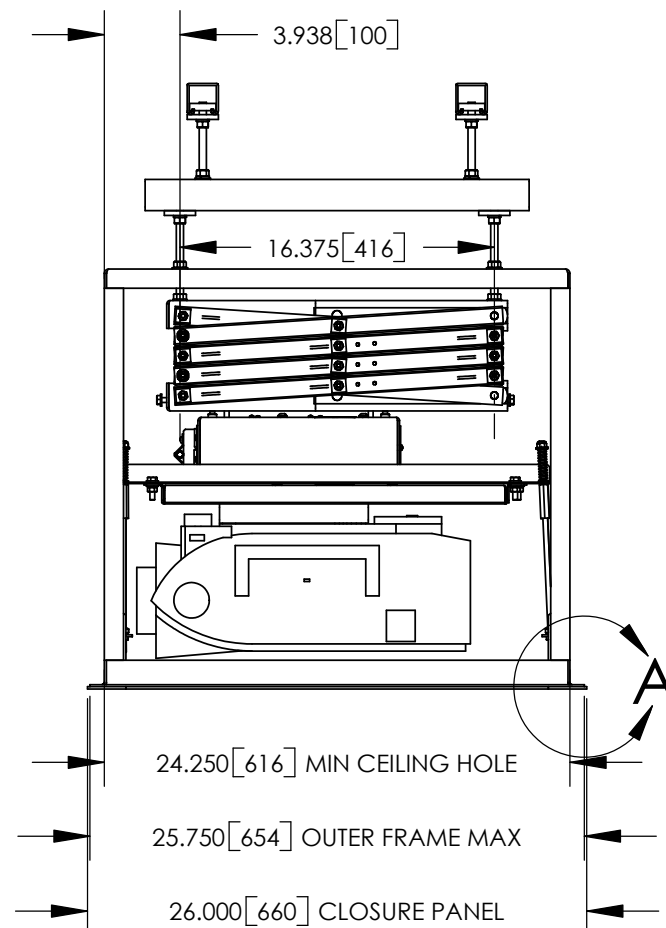
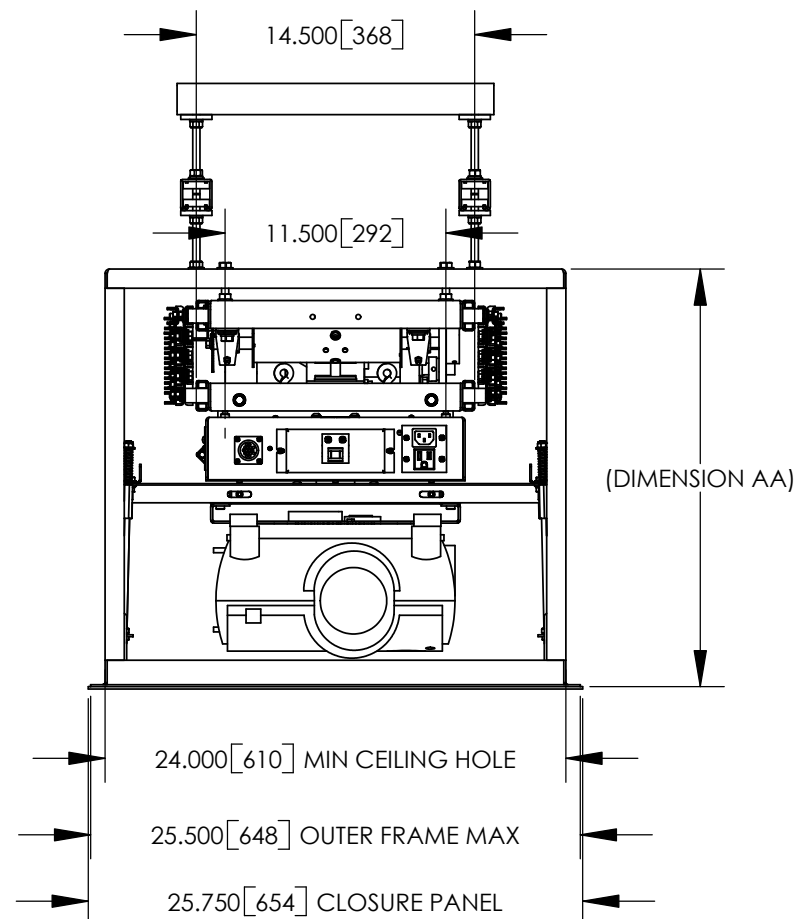
LCD SIZE	DIMENSION AA	
	INCHES	mm
LCD-104	21.750	552
LCD-105	22.750	578
LCD-106	23.750	603
LCD-107	24.750	629

UNISTRUT P1000 T CHANNEL AND 3/8" THREADED ROD (RECOMMENDED)



NOTES:

- * UNITS = INCHES [mm].
- * DIMENSION AA IS REQUIRED SPACE ABOVE CEILING.
- * COMPONENTS SHOWN ARE THE SHARP XG-P25X/EMRCM WITH MOUNT 73-081, LCD-104, OPT4 AND OPT1.
- * CTB ROD LENGTH IS 11.000".



DETAIL A
SCALE 1 : 3

		DISPLAY DEVICES, INC 5880 SHERIDAN BLVD ARVADA, CO 80003			
		TITLE LCD - OPT4 STD - OPT1 LIPPED - W/SHARP XG-P25X/EMRCM			
THE INFORMATION CONTAINED IN THIS DRAWING IS THE PROPERTY OF DISPLAY DEVICES, INC. ANY REPRODUCTION IN PART OR WHOLE WITHOUT THE WRITTEN PERMISSION OF DISPLAY DEVICES, INC IS PROHIBITED	UNLESS OTHERWISE SPECIFIED DIMENSIONS ARE IN INCHES. TOLERANCES: .XX = ± .02 .XXX = ± .010 .XXXX = ± .0050 ANGLE = ± 0.5	DRAWN RLS	DATE 8/31/2005	SIZE B	DRAWING NO. 314-134
CHECKED	DATE	MATERIAL NONE	FINISH NONE	SCALE NONE	FILE NAME 314-134.SLDDRW
				REV A	SHEET 1 OF 2