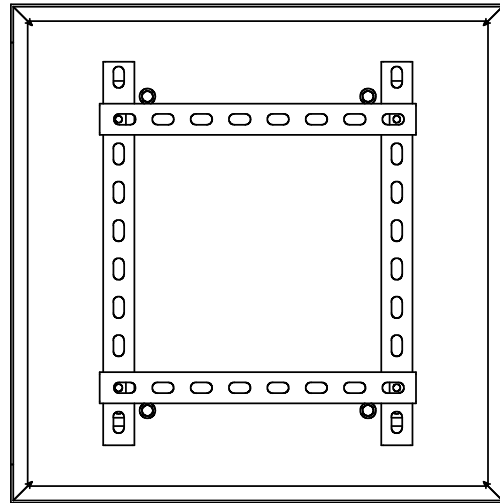
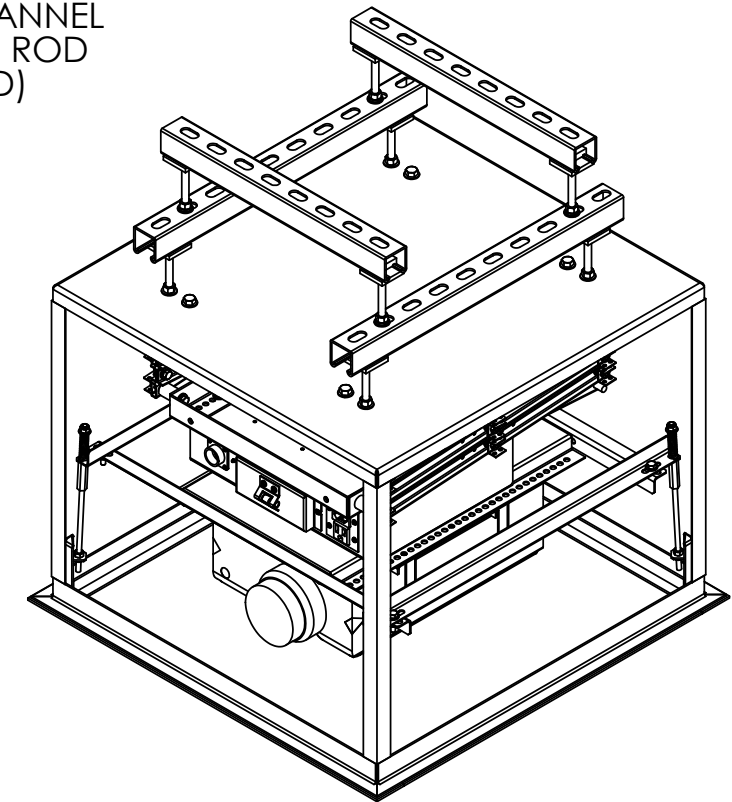


DRAWING REVISION BLOCK						
REV	ER	DESCRIPTION	DRAWN	CHECKED	APPROVED	DATE
A		RELEASE FOR PRODUCTION.	BAR			



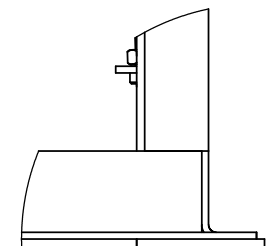
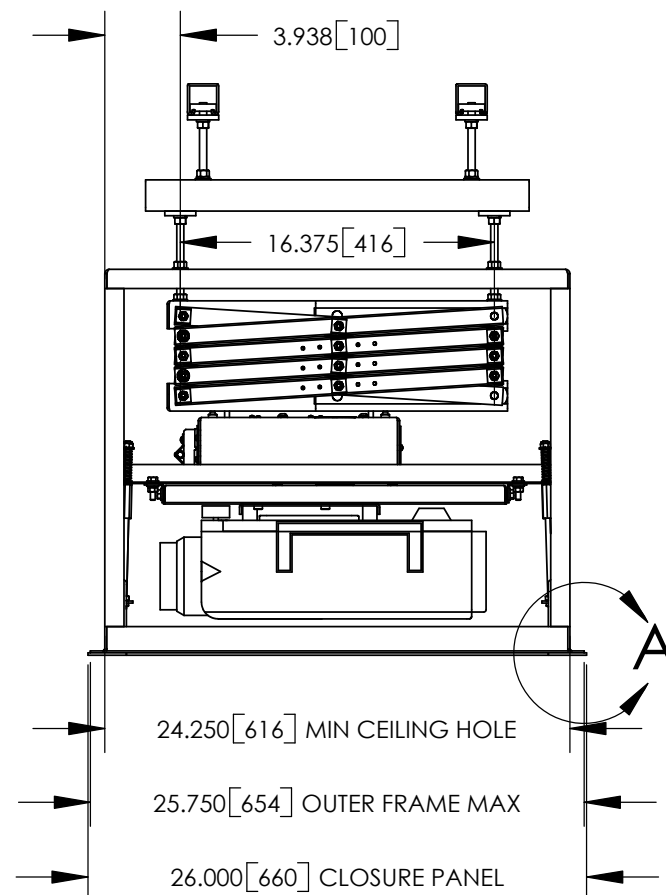
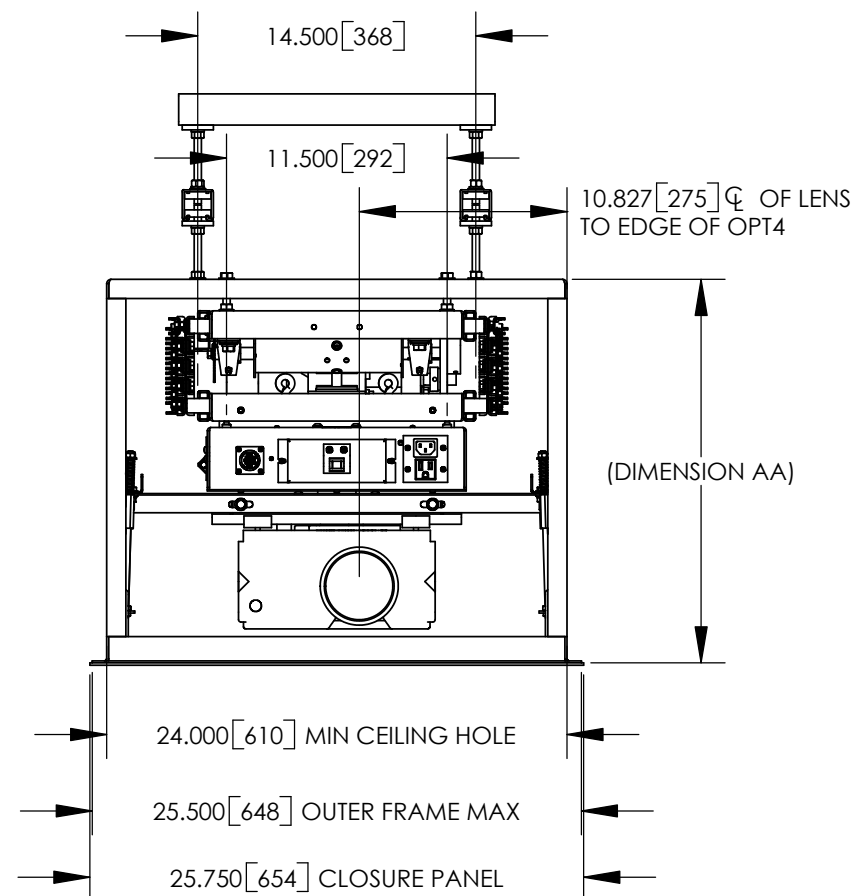
LCD SIZE	DIMENSION AA	
	INCHES	mm
LCD-104	20.000	508
LCD-105	21.000	533
LCD-106	22.000	559
LCD-107	23.000	584

UNISTRUT P1000 T CHANNEL  
AND 3/8" THREADED ROD  
(RECOMMENDED)



NOTES:

- \* UNITS = INCHES [mm].
- \* DIMENSION AA IS REQUIRED SPACE ABOVE CEILING.
- \* COMPONENTS SHOWN ARE THE SHARP P10 WITH MOUNT (73-582), EMRCM, LCD-104, OPT4 AND OPT1.
- \* CTB ROD LENGTH IS 9.3125".



DETAIL A  
SCALE 1 : 3

		<b>DISPLAY DEVICES, INC</b> 5880 SHERIDAN BLVD ARVADA, CO 80003				
		TITLE <b>LCD - OPT4 STD - OPT1 LIPPED - W/SHARP P10 AND EMRCM</b>				
THE INFORMATION CONTAINED IN THIS DRAWING IS THE PROPERTY OF DISPLAY DEVICES, INC. ANY REPRODUCTION IN PART OR WHOLE WITHOUT THE WRITTEN PERMISSION OF DISPLAY DEVICES, INC IS PROHIBITED	UNLESS OTHERWISE SPECIFIED DIMENSIONS ARE IN INCHES.  TOLERANCES: .XX = ± .02 .XXX = ± .010 .XXXX = ± .0050 ANGLE = ± 0.5	DRAWN <b>BAR</b>	DATE 3/29/2004	SIZE <b>B</b>	DRAWING NO. 314-022	REV <b>A</b>
MATERIAL NONE	FINISH NONE	SCALE NONE	FILE NAME 314-022.SLDDRW	SHEET 1 OF 2		