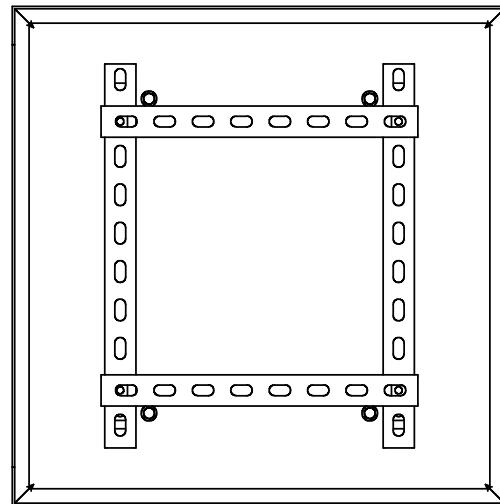


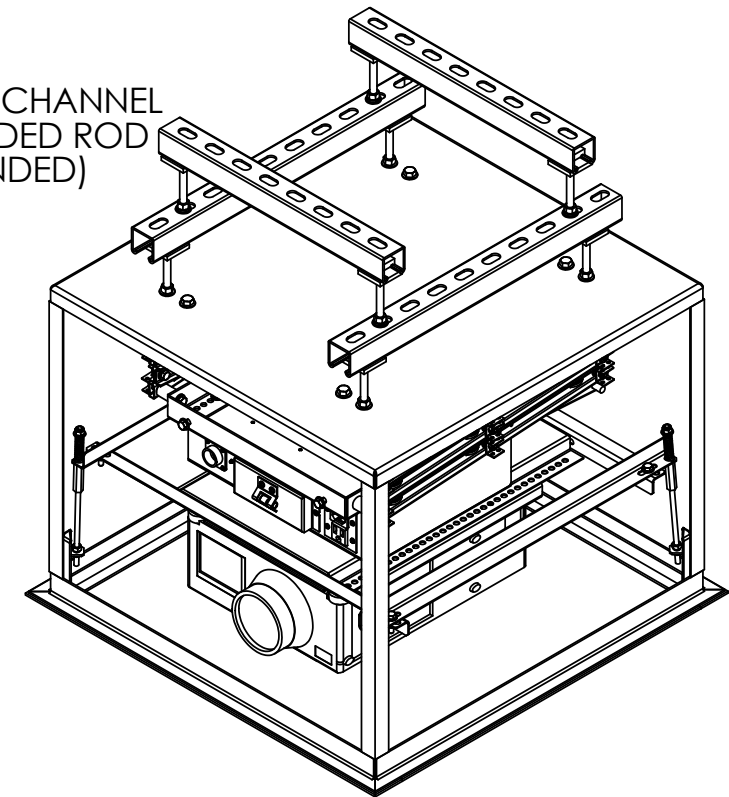
DRAWING REVISION BLOCK

REV	ER	DESCRIPTION	DRAWN	CHECKED	APPROVED	DATE



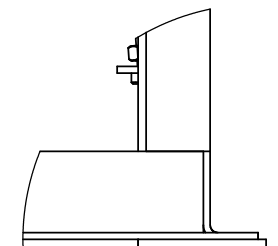
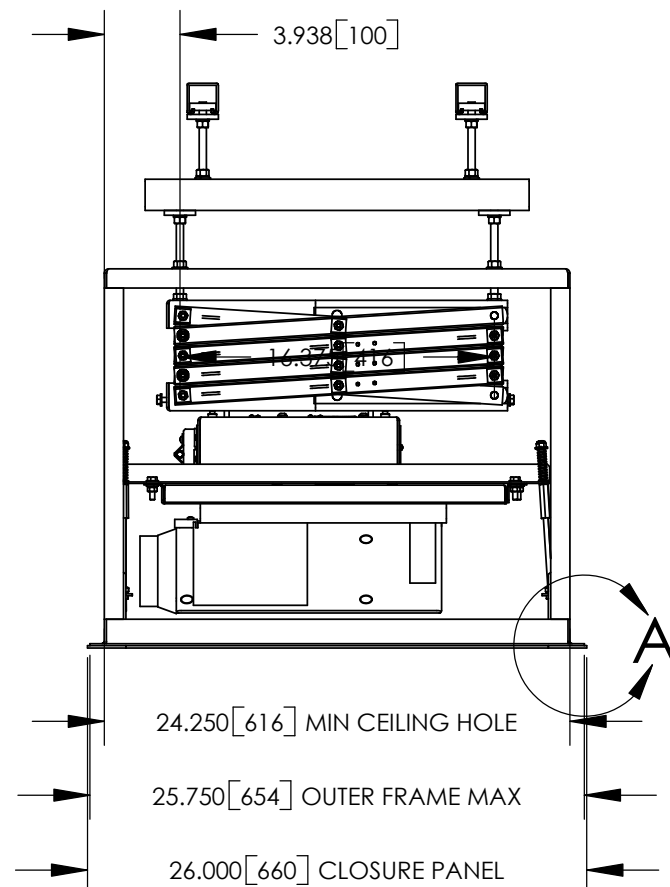
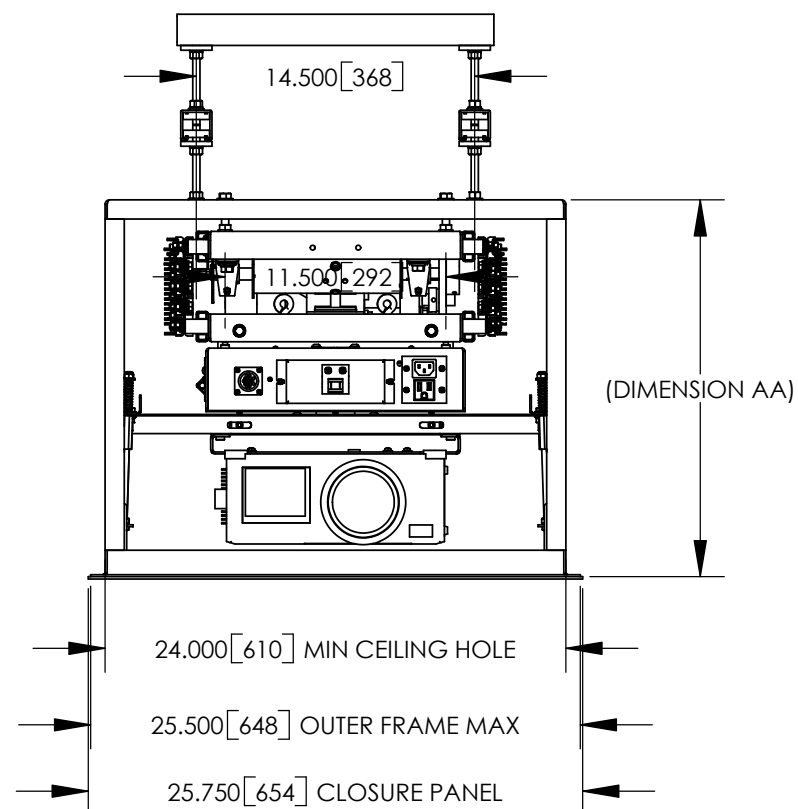
LCD SIZE	DIMENSION AA	
	INCHES	mm
LCD-104	19.625	498
LCD-105	20.625	524
LCD-106	21.625	549
LCD-107	22.625	575

UNISTRUT P1000 T CHANNEL AND 3/8" THREADED ROD (RECOMMENDED)



NOTES:

- \* UNITS = INCHES [mm].
- \* DIMENSION AA IS REQUIRED SPACE ABOVE CEILING.
- \* COMPONENTS SHOWN ARE THE EMRCM/HITACHI 860 WITH MOUNT 73-525, LCD-104, OPT4 AND OPT1.
- \* CTB ROD LENGTH IS 8.875".



DETAIL A  
SCALE 1 : 3

		<b>DISPLAY DEVICES, INC</b> 5880 SHERIDAN BLVD ARVADA, CO 80003			
		TITLE <b>LCD - OPT4 STD - OPT1 LIPPED - W/EMRCM/ HITACHI 860</b>			
THE INFORMATION CONTAINED IN THIS DRAWING IS THE PROPERTY OF DISPLAY DEVICES, INC. ANY REPRODUCTION IN PART OR WHOLE WITHOUT THE WRITTEN PERMISSION OF DISPLAY DEVICES, INC IS PROHIBITED	UNLESS OTHERWISE SPECIFIED DIMENSIONS ARE IN INCHES.  TOLERANCES: .XX = ± .02 .XXX = ± .010 .XXXX = ± .0050 ANGLE = ± 0.5	DRAWN RLS	DATE 3/18/2005	SIZE <b>B</b>	DRAWING NO. 314-110
CHECKED	DATE	MATERIAL NONE	FINISH NONE	SCALE NONE	FILE NAME 314-110.SLDDRW
				REV A	SHEET 1 OF 2