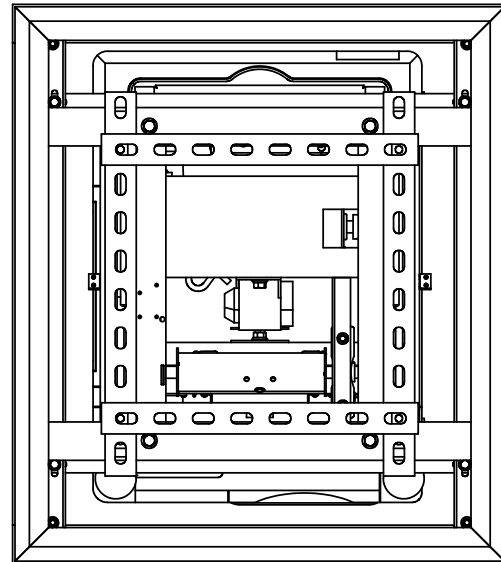


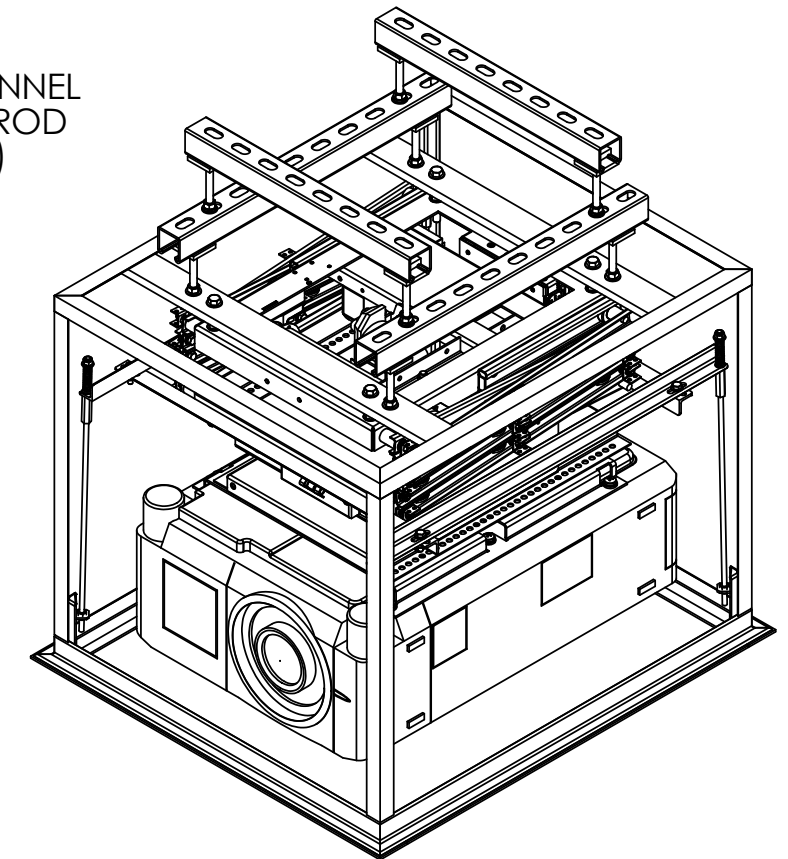
DRAWING REVISION BLOCK

REV	ER	DESCRIPTION	DRAWN	CHECKED	APPROVED	DATE



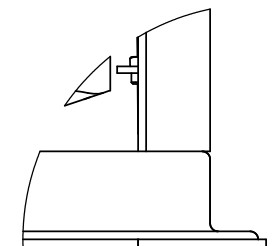
LCD SIZE	DIMENSION AA	
	INCHES	mm
LCD-104	23.000	584
LCD-105	24.000	610
LCD-106	25.000	635
LCD-107	26.000	660

UNISTRUT P1000 T CHANNEL AND 3/8" THREADED ROD (RECOMMENDED)

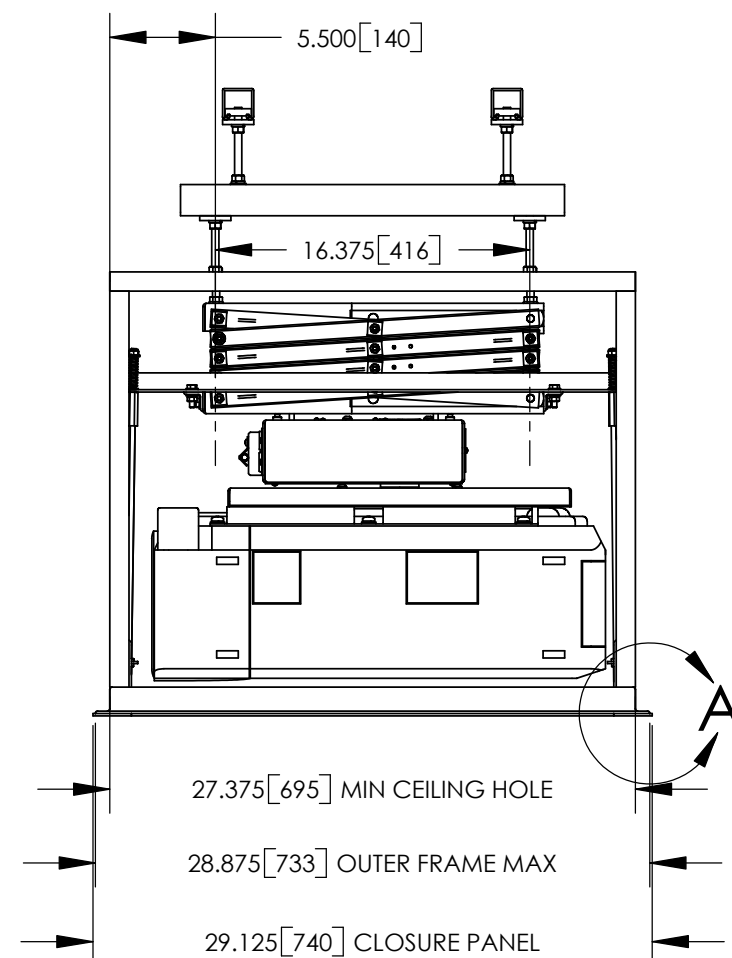
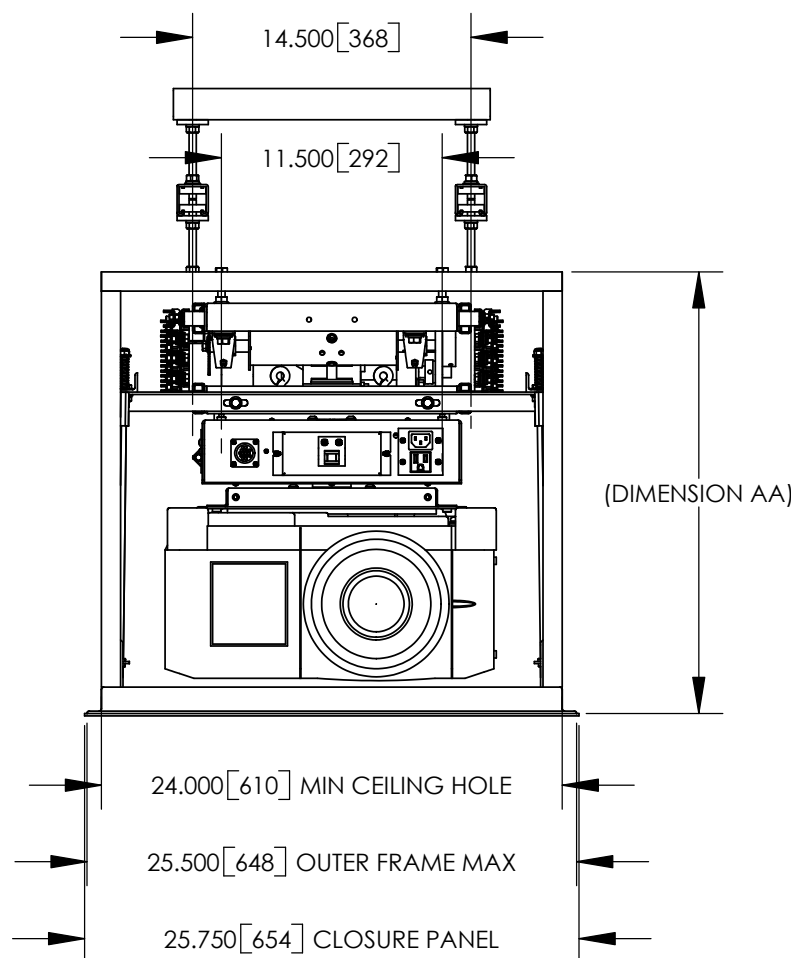


NOTES:

- * UNITS = INCHES [mm].
- * DIMENSION AA IS REQUIRED SPACE ABOVE CEILING.
- * COMPONENTS SHOWN ARE THE SANYO PLC-WF10 WITH MOUNT 73-127 W/EMRCM, LCD-104, OPT3 AND OPT1.
- * CTB ROD LENGTH IS 17.375".
- * OPT3 SKINS ARE REMOVED IN THESE DRAWING VIEWS.



DETAIL A
SCALE 1 : 3



		DISPLAY DEVICES, INC 5880 SHERIDAN BLVD ARVADA, CO 80003	
		TITLE LCD - OPT3 CUSTOM SIZE - OPT1 LIPPED - W/PLV-WF10 W/EMRCM	
THE INFORMATION CONTAINED IN THIS DRAWING IS THE PROPERTY OF DISPLAY DEVICES, INC. ANY REPRODUCTION IN PART OR WHOLE WITHOUT THE WRITTEN PERMISSION OF DISPLAY DEVICES, INC IS PROHIBITED	UNLESS OTHERWISE SPECIFIED DIMENSIONS ARE IN INCHES. TOLERANCES: .XX = ± .02 .XXX = ± .010 .XXXX = ± .0050 ANGLE = ± 0.5	DRAWN RLS	DATE 8/1/2005
CHECKED	DATE	SIZE B	DRAWING NO. 314-130
MATERIAL NONE	FINISH NONE	SCALE NONE	FILE NAME 314-130.SLDDRW
		REV A	SHEET 1 OF 2