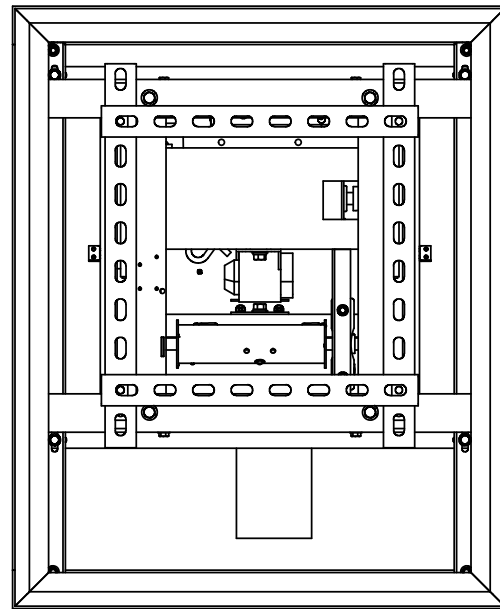
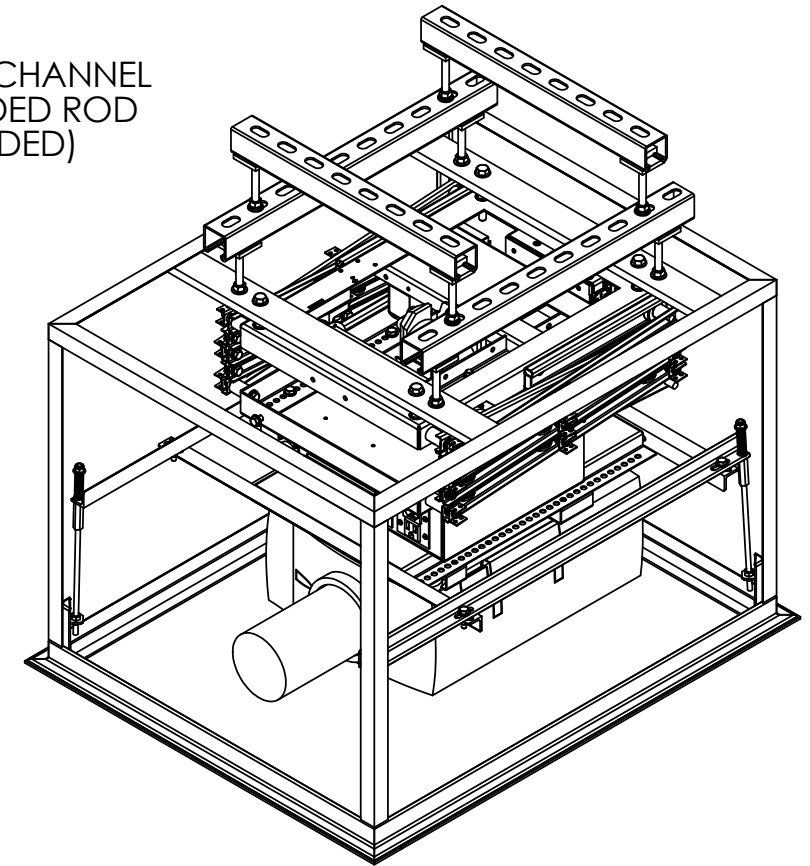


DRAWING REVISION BLOCK						
REV	ER	DESCRIPTION	DRAWN	CHECKED	APPROVED	DATE



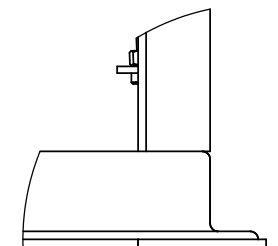
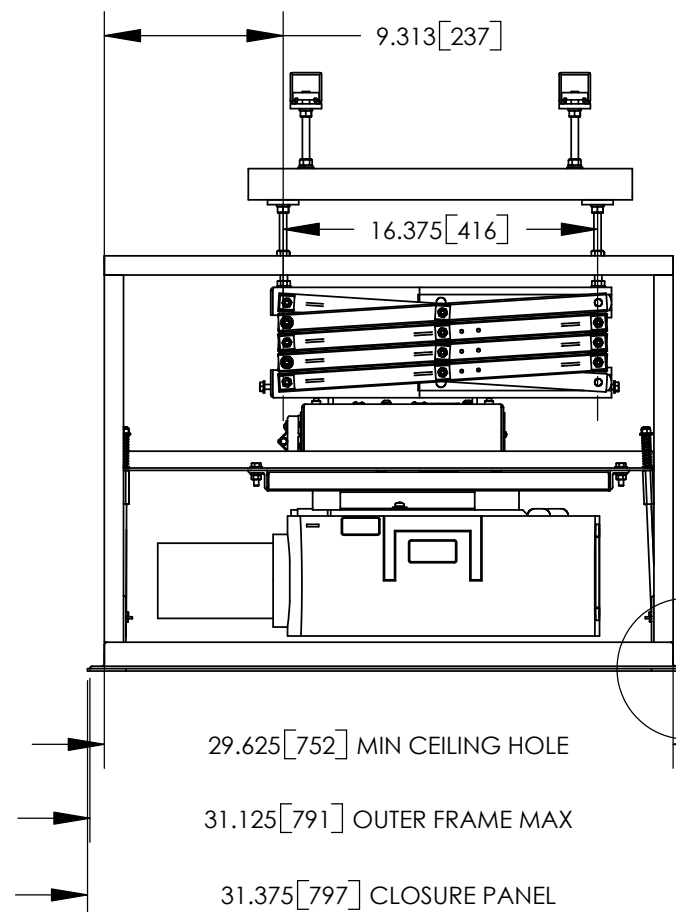
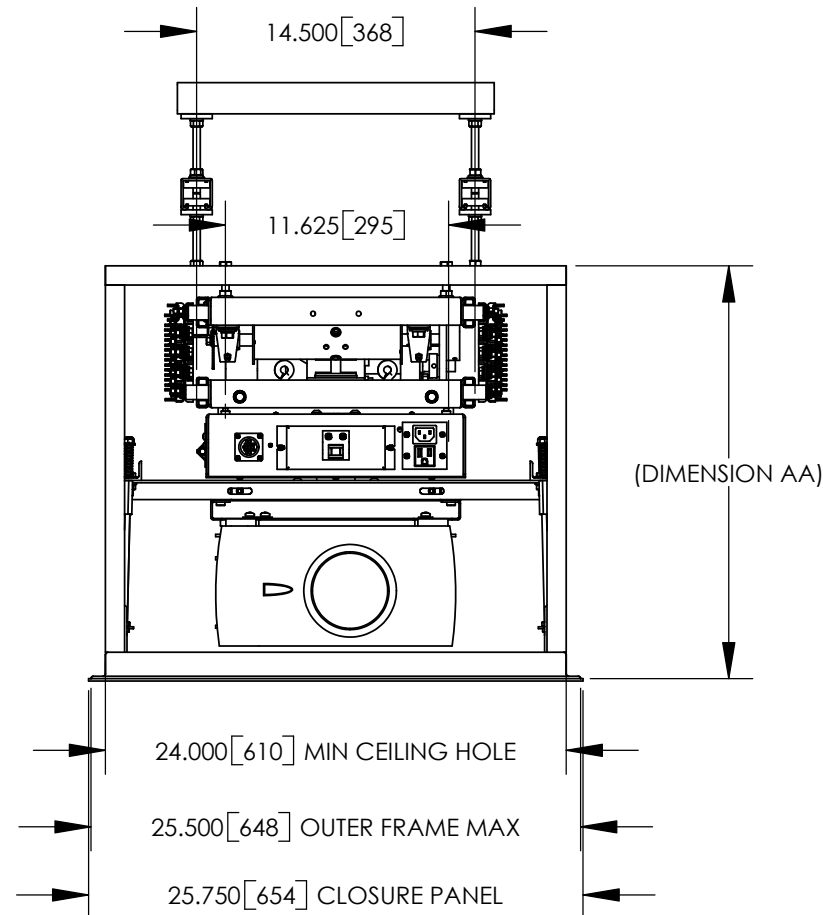
LCD SIZE	DIMENSION AA	
	INCHES	mm
LCD-104	21.500	546
LCD-105	22.500	572
LCD-106	23.500	597
LCD-107	24.500	622

UNISTRUT P1000 T CHANNEL
AND 3/8" THREADED ROD
(RECOMMENDED)



NOTES:

- * UNITS = INCHES [mm].
- * DIMENSION AA IS REQUIRED SPACE ABOVE CEILING.
- * COMPONENTS SHOWN ARE THE CHRISTIE LX-50 WITH MOUNT 73-145, LCD-104, OPT3 AND OPT1.
- * CTB ROD LENGTH IS 10.875".
- * OPT3 SKINS ARE REMOVED IN THESE DRAWING VIEWS.



DETAIL A
SCALE 1 : 3

		DISPLAY DEVICES, INC 5880 SHERIDAN BLVD ARVADA, CO 80003		
		TITLE LCD - OPT3 OFFSET SIZE - OPT1 LIPPED - W/EMRCM/CHRISTIE LX-50		
THE INFORMATION CONTAINED IN THIS DRAWING IS THE PROPERTY OF DISPLAY DEVICES, INC. ANY REPRODUCTION IN PART OR WHOLE WITHOUT THE WRITTEN PERMISSION OF DISPLAY DEVICES, INC IS PROHIBITED.	UNLESS OTHERWISE SPECIFIED DIMENSIONS ARE IN INCHES. TOLERANCES: .XX = ± .02 .XXX = ± .010 .XXXX = ± .0050 ANGLE = ± 0.5	DRAWN RLS DATE 8/10/2005	SIZE B DRAWING NO. 314-133	REV A
MATERIAL NONE	FINISH NONE	SCALE NONE	FILE NAME 314-133.SLDDRW	SHEET 1 OF 2