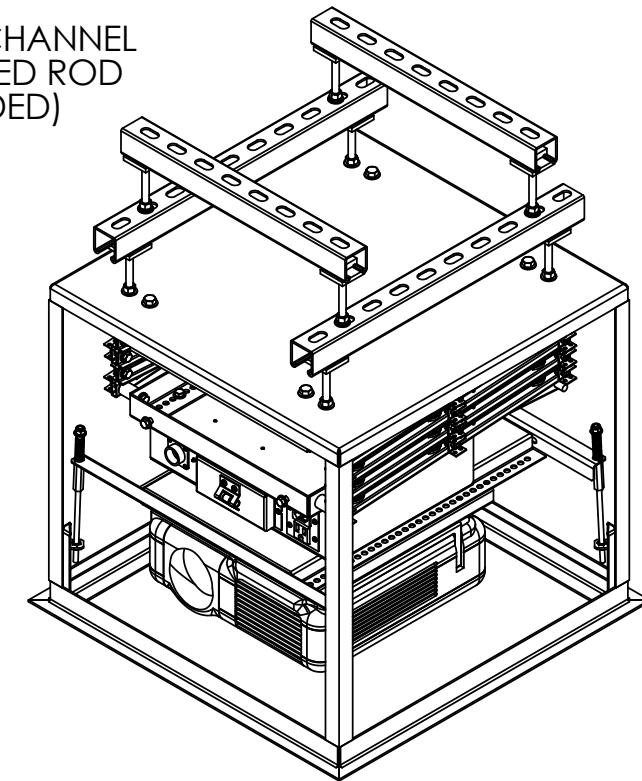
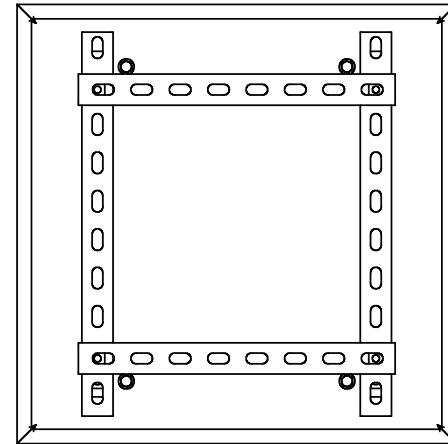


DRAWING REVISION BLOCK						
REV	ER	DESCRIPTION	DRAWN	CHECKED	APPROVED	DATE

UNISTRUT P1000 T CHANNEL
AND 3/8" THREADED ROD
(RECOMMENDED)

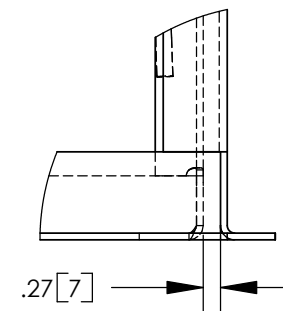
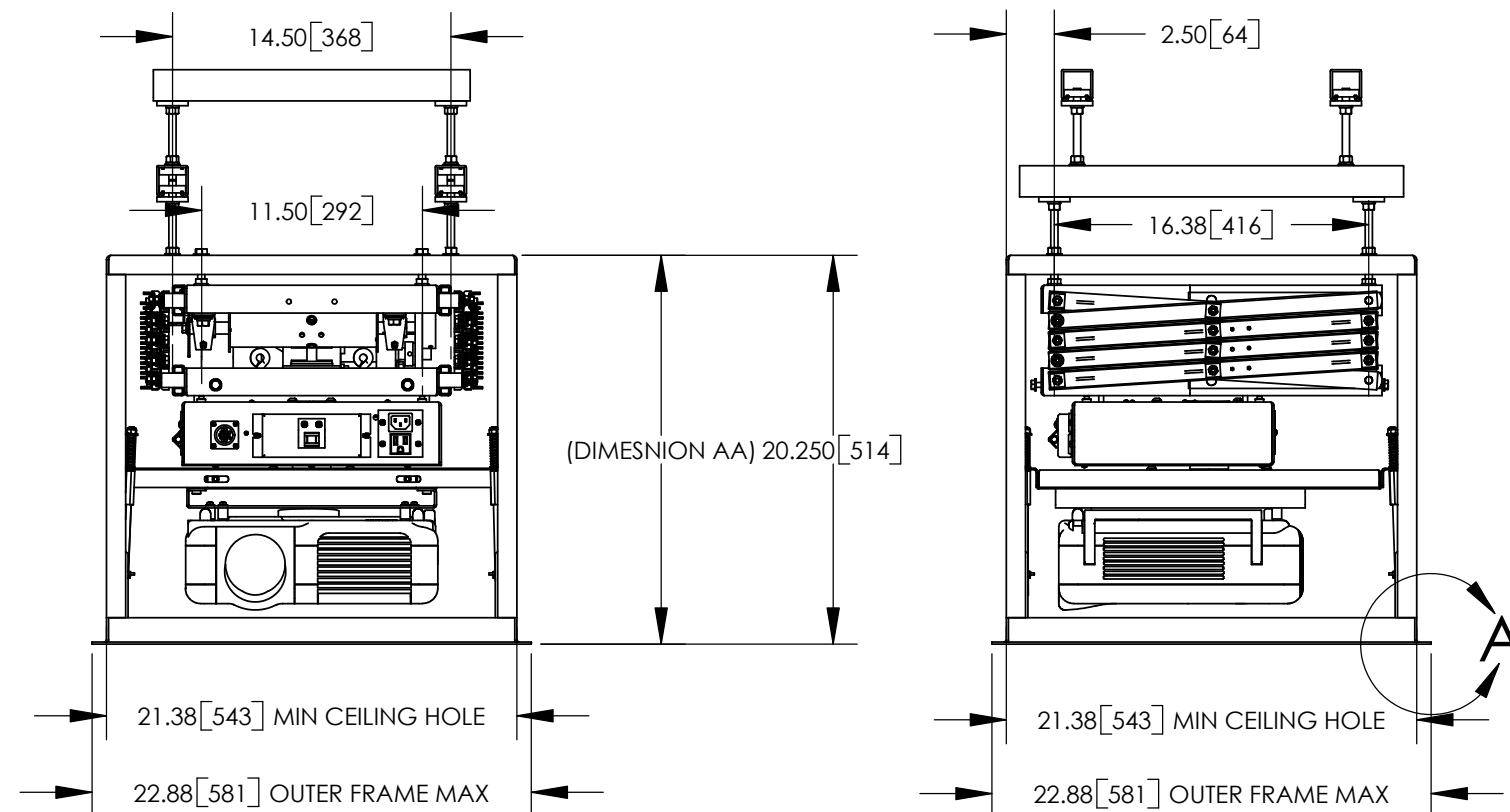


LCD SIZE	DIMENSION AA	
	INCHES	mm
LCD-104	20.250	514
LCD-105	21.250	540
LCD-106	22.250	565
LCD-107	23.250	591



NOTES:

- * UNITS = INCHES [mm].
- * DIMENSION AA IS REQUIRED SPACE ABOVE CEILING.
- * COMPONENTS SHOWN ARE THE EMRCM W/NEC MT1060 WITH MOUNT 73-226, LCD-104, OPT3 AND OPT1.
- * CTB ROD LENGTH IS 7.875".
- * OPT3 SKINS ARE REMOVED IN THESE DRAWING VIEWS.



DETAIL A
SCALE 1:3

		DISPLAY DEVICES, INC 5880 SHERIDAN BLVD ARVADA, CO 80003			
		TITLE LCD - OPT3 2X2 - OPT1 LIPLISS - W/EMRCM, NEC MT1060			
THE INFORMATION CONTAINED IN THIS DRAWING IS THE PROPERTY OF DISPLAY DEVICES, INC. ANY REPRODUCTION IN PART OR WHOLE WITHOUT THE WRITTEN PERMISSION OF DISPLAY DEVICES, INC IS PROHIBITED	UNLESS OTHERWISE SPECIFIED DIMENSIONS ARE IN INCHES. TOLERANCES: .XX = ± .02 .XXX = ± .010 .XXXX = ± .0050 ANGLE = ± 0.5	DRAWN RLS DATE 2/24/2005	SIZE B	DRAWING NO. 314-106	REV A
MATERIAL NONE	FINISH NONE	SCALE NONE	FILE NAME 314-106.SLDDRW	SHEET 1 OF 2	