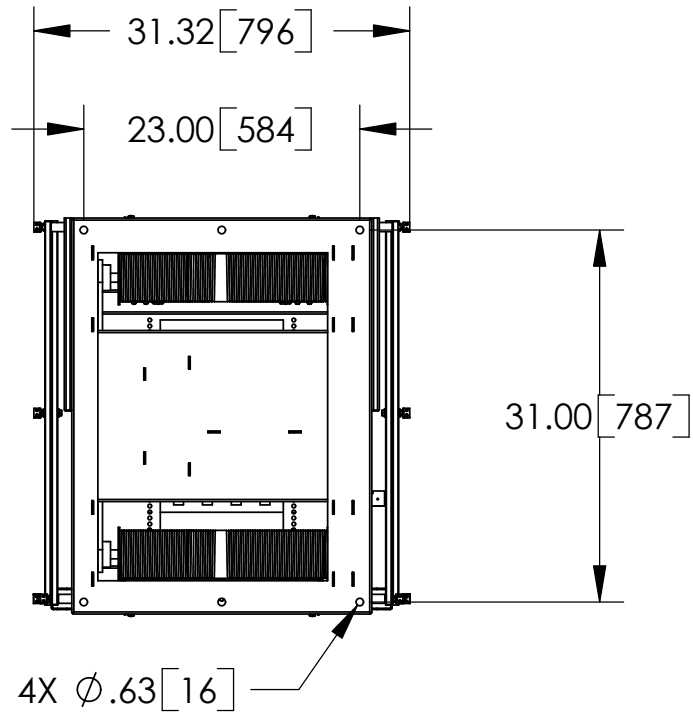
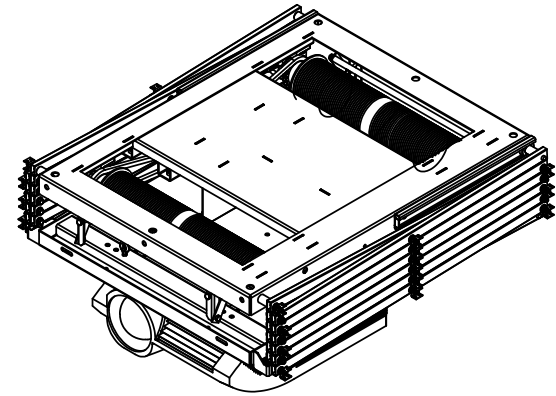


DRAWING REVISION BLOCK						
REV	ER	DESCRIPTION	DRAWN	CHECKED	APPROVED	DATE
A		RELEASE FOR DIMENSIONAL INFO ONLY.	BAR			

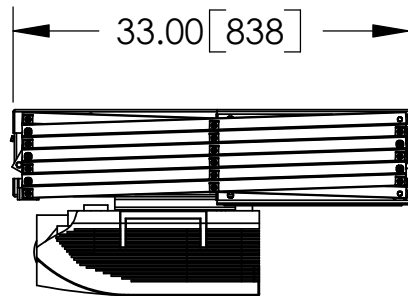
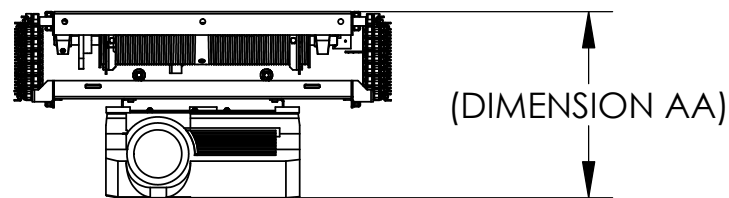


DL3W SIZE	DIMENSION AA	
	INCHES	mm
DL3W-12	15.500	394
DL3W-14	16.500	419
DL3W-16	17.500	445
DL3W-18	19.500	495
DL3W-20	20.500	521
DL3W-24	22.500	572
DL3W-28	25.500	648



ISOMETRIC VIEW
FOR REFERENCE ONLY

NOTES:
 * UNIT = INCHES [mm]
 * COMPONENTS SHOWN ARE THE SHARP XG-PH50X WITH MOUNT (73-218) AND DL3W-12.



		DISPLAY DEVICES, INC 5880 SHERIDAN BLVD ARVADA, CO 80003				
		TITLE DL3W AND SHARP XG-PH-50X PROJECTOR AND MOUNT ONLY				
THE INFORMATION CONTAINED IN THIS DRAWING IS THE PROPERTY OF DISPLAY DEVICES, INC. ANY REPRODUCTION IN PART OR WHOLE WITHOUT THE WRITTEN PERMISSION OF DISPLAY DEVICES, INC IS PROHIBITED	UNLESS OTHERWISE SPECIFIED DIMENSIONS ARE IN INCHES. TOLERANCES: .XX = ± .02 .XXX = ± .010 .XXXX = ± .0050 ANGLE = ± 0.5	DRAWN RLS CHECKED DATE 4/25/2005	DATE 4/25/2005	SIZE B	DRAWING NO. 316-903	REV A
MATERIAL NONE		FINISH NONE		SCALE NONE	FILE NAME 316-903	SHEET 1 OF 1