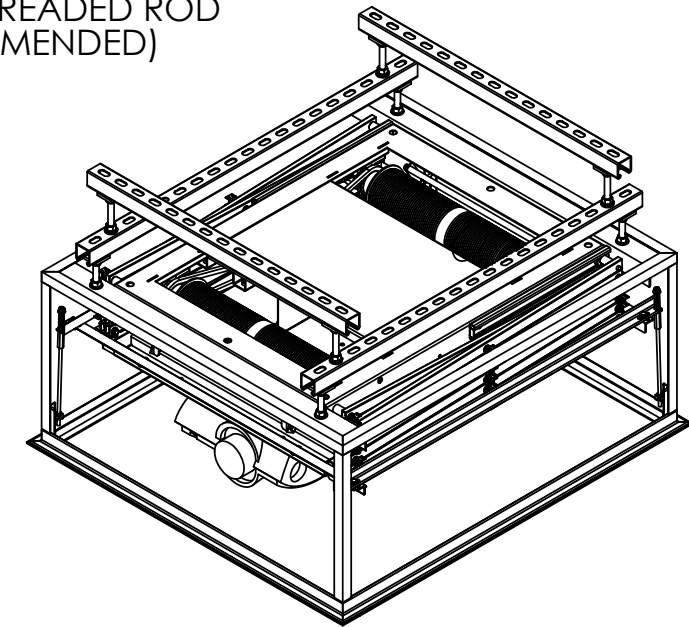
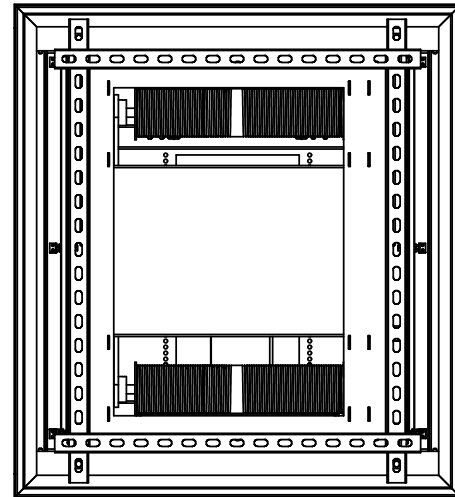


DRAWING REVISION BLOCK

| REV | ER | DESCRIPTION | DRAWN | CHECKED | APPROVED | DATE |
|-----|----|-------------|-------|---------|----------|------|
|     |    |             |       |         |          |      |

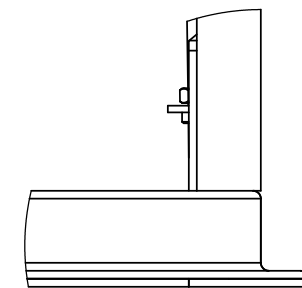
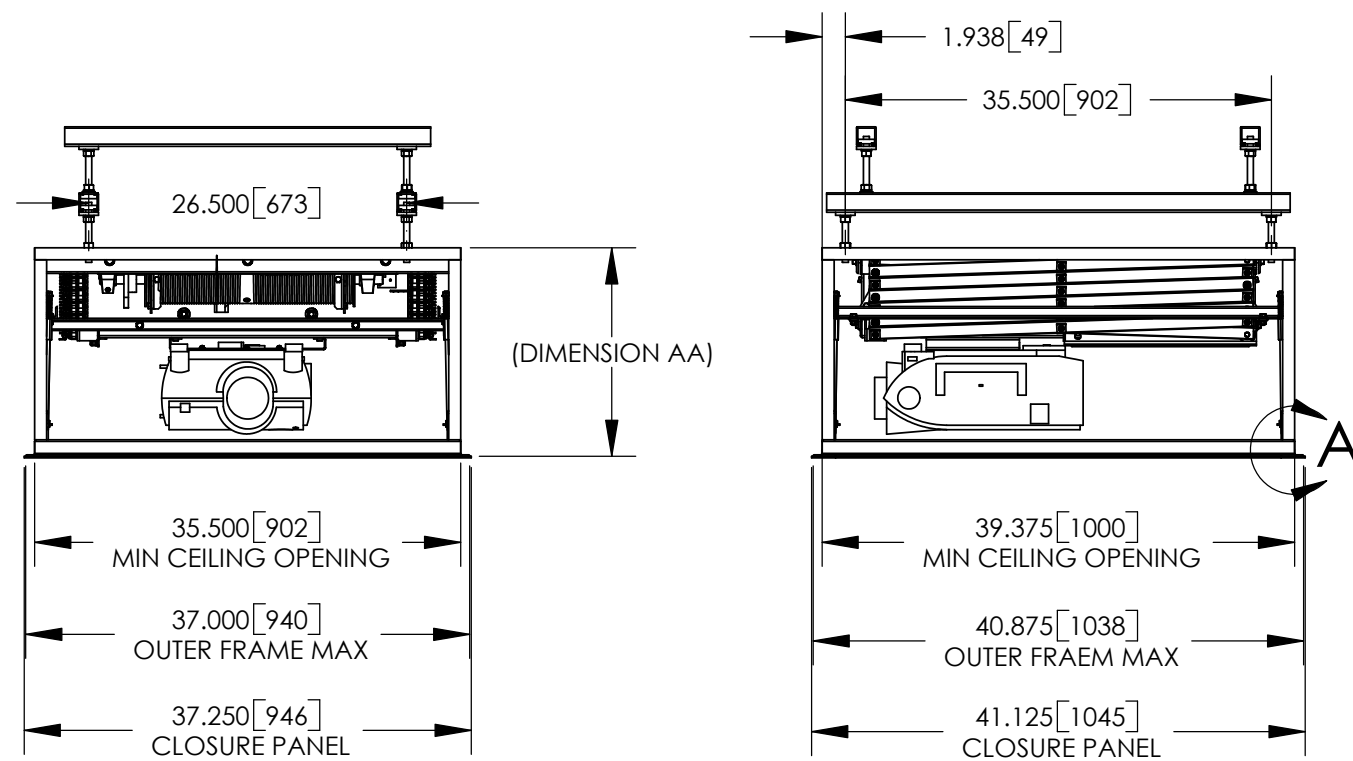
| DL3W SIZE | DIMENSION AA |     |
|-----------|--------------|-----|
|           | INCHES       | mm  |
| DL3W-12   | 17.375       | 441 |
| DL3W-14   | 18.375       | 467 |
| DL3W-16   | 19.375       | 492 |
| DL3W-18   | 21.375       | 543 |
| DL3W-20   | 22.375       | 568 |
| DL3W-24   | 24.375       | 619 |
| DL3W-28   | 27.375       | 695 |

UNISTRUT P1000 T CHANNEL AND 1/2" THREADED ROD (RECOMMENDED)



NOTES:

- \* UNIT = INCHES [mm]
- \* DIMENSION AA IS REQUIRED SPACE ABOVE CEILING.
- \* COMPONENTS SHOWN ARE THE SHARP XG-P20 WITH MOUNT 73-371, DL3W-12, OPT3 AND OPT1.
- \* CTB ROD LENGTH IS 12.000".
- \* OPT3 SKINS ARE REMOVED IN THESE DRAWING VIEWS.



DETAIL A  
SCALE 1 : 3

|   |   |   |                   |                  |                             |
|---|---|---|-------------------|------------------|-----------------------------|
|   |   | <b>DISPLAY DEVICES, INC</b><br>5880 SHERIDAN BLVD<br>ARVADA, CO 80003 |                   |                  |                             |
|   |   | TITLE<br><b>DL3W-OPT3 CSTM-OPT1 LIPPED-W/SHARP XG-P20</b>             |                   |                  |                             |
| THE INFORMATION CONTAINED IN THIS DRAWING IS THE PROPERTY OF DISPLAY DEVICES, INC. ANY REPRODUCTION IN PART OR WHOLE WITHOUT THE WRITTEN PERMISSION OF DISPLAY DEVICES, INC IS PROHIBITED | UNLESS OTHERWISE SPECIFIED DIMENSIONS ARE IN INCHES.<br><br>TOLERANCES:<br>.XX = ± .02<br>.XXX = ± .010<br>.XXXX = ± .0050<br>ANGLE = ± 0.5 | DRAWN<br>RLS  | DATE<br>8/20/2004 | SIZE<br><b>B</b> | DRAWING NO.<br>316-015      |
| CHECKED   | DATE  | MATERIAL<br>NONE  | FINISH<br>NONE    | SCALE<br>NONE    | FILE NAME<br>316-015.SLDDRW |
| REV<br>A  |   |   |                   |                  | SHEET 1 OF 2                |