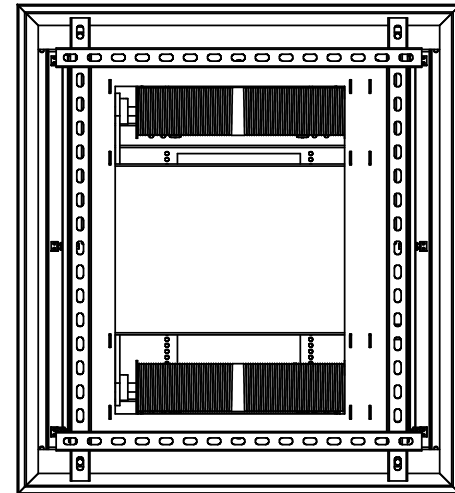
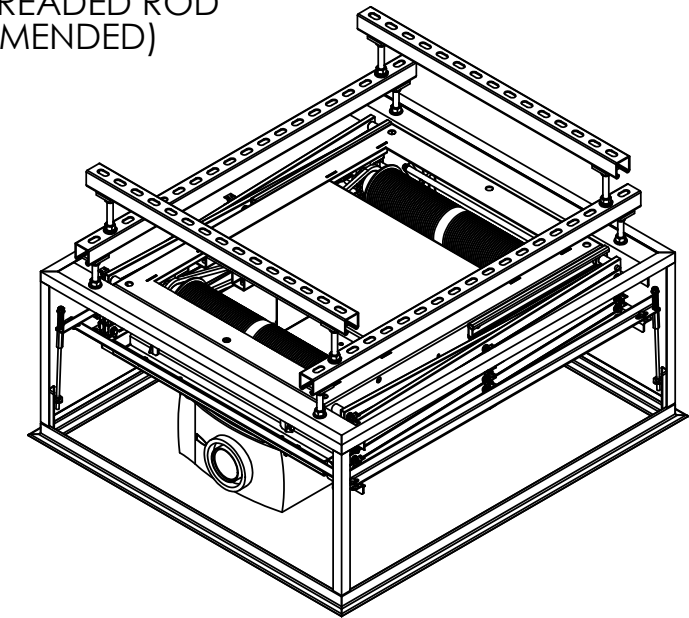


DRAWING REVISION BLOCK						
REV	ER	DESCRIPTION	DRAWN	CHECKED	APPROVED	DATE
A		RELEASE FOR PRODUCTION.	BAR			

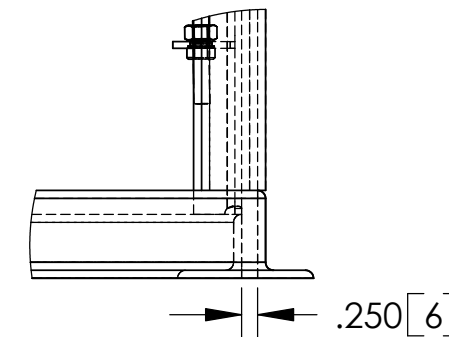
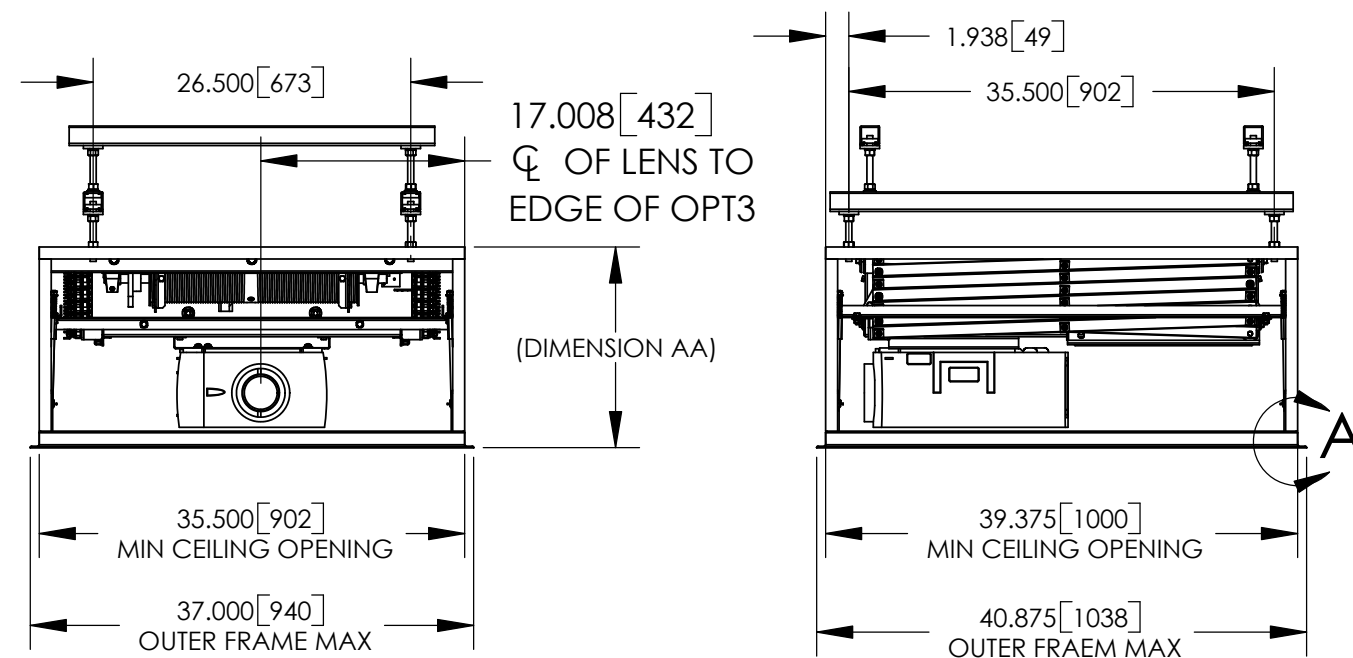
DL3W SIZE	DIMENSION AA	
	INCHES	mm
DL3W-12	16.750	425
DL3W-14	17.750	451
DL3W-16	18.750	476
DL3W-18	20.750	527
DL3W-20	21.750	552
DL3W-24	23.750	603
DL3W-28	26.750	679

UNISTRUT P1000 T CHANNEL
AND 1/2" THREADED ROD
(RECOMMENDED)



NOTES:

- * UNIT = INCHES [mm]
- * DIMENSION AA IS REQUIRED SPACE ABOVE CEILING.
- * COMPONENTS SHOWN ARE THE SANYO XP-40 WITH MOUNT (73-145), DL3W-12, OPT3 AND OPT1.
- * CTB ROD LENGTH IS 10.375".
- * OPT3 SKINS ARE REMOVED IN THESE DRAWING VIEWS.
- * PROJECTOR CAN BE MOVED BACK ON LIFT TO ACCEPT DIFFERENT LENGTH LENSES.



		DISPLAY DEVICES, INC 5880 SHERIDAN BLVD ARVADA, CO 80003	
THE INFORMATION CONTAINED IN THIS DRAWING IS THE PROPERTY OF DISPLAY DEVICES, INC. ANY REPRODUCTION IN PART OR WHOLE WITHOUT THE WRITTEN PERMISSION OF DISPLAY DEVICES, INC IS PROHIBITED.		UNLESS OTHERWISE SPECIFIED DIMENSIONS ARE IN INCHES. TOLERANCES: .XX = ± .02 .XXX = ± .010 .XXXX = ± .0050 ANGLE = ± 0.5	
DRAWN BAR	DATE 3/5/2004	SIZE B	DRAWING NO. 316-005
CHECKED	DATE	SCALE NONE	FILE NAME 316-005.SLDDRW
MATERIAL NONE	FINISH NONE	TITLE DL3W - OPT3 STD - OPT1 LIPLSS - W/SANYO XP-40	REV A
		SHEET 1 OF 2	