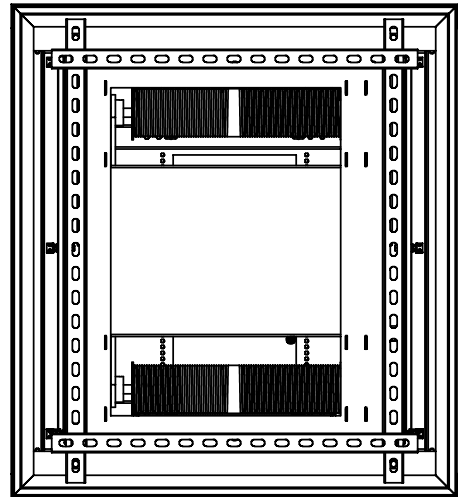
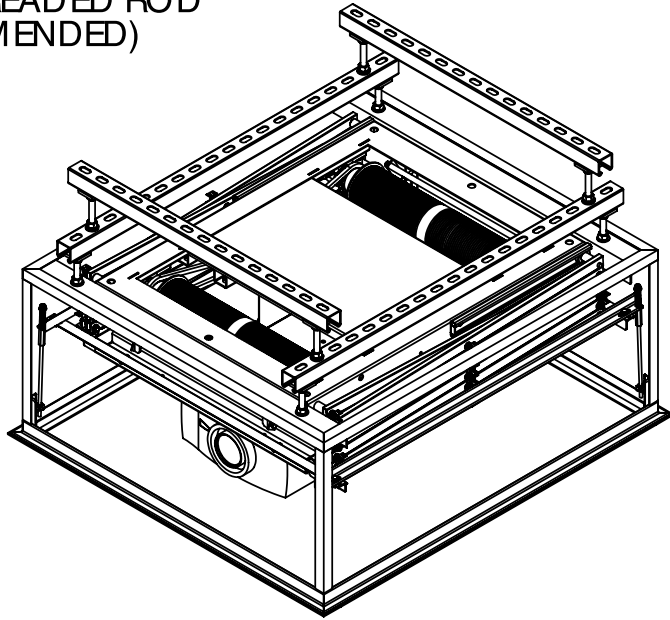


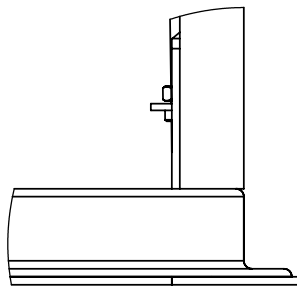
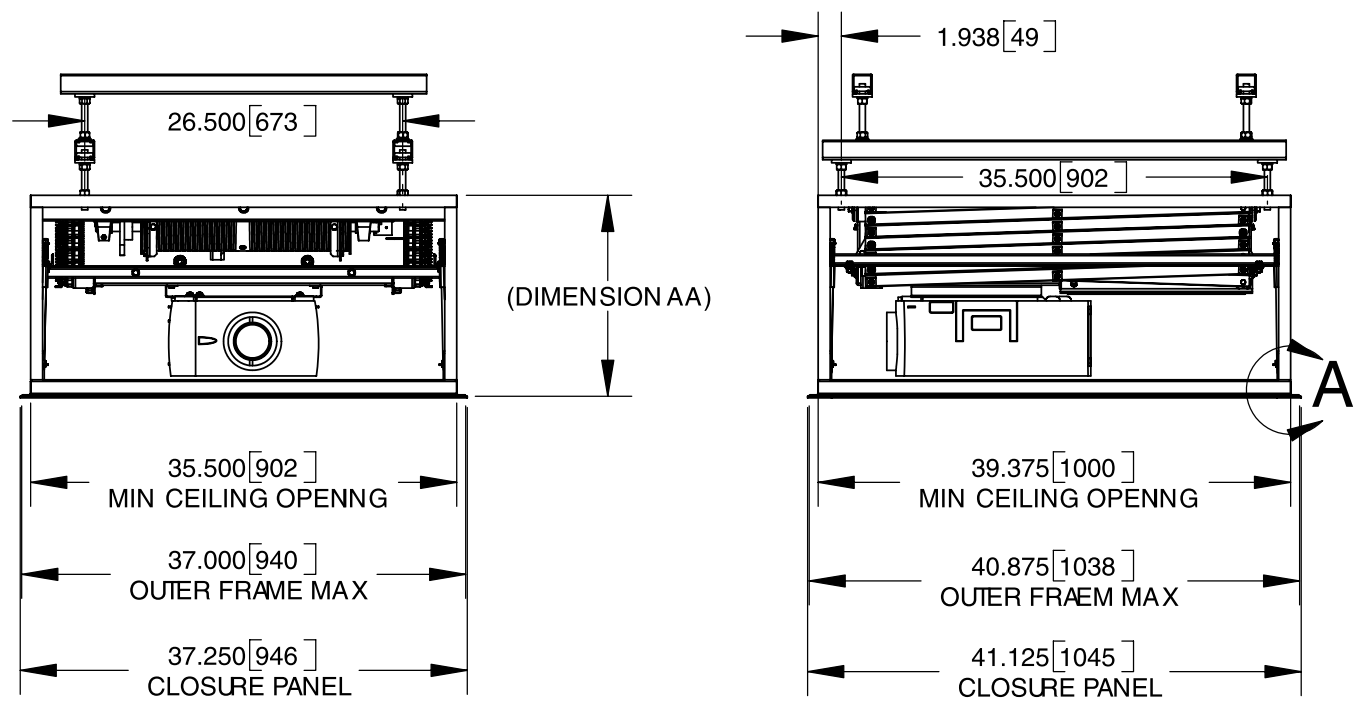
DRAWING REVISION BLOCK						
REV	ER	DESCRIPTION	DRAWN	CHECKED	APPROVED	DATE

DL3W SIZE	DIMENSION AA	
	INCHES	mm
DL3W-12	16.750	425
DL3W-14	17.750	451
DL3W-16	18.750	476
DL3W-18	20.750	527
DL3W-20	21.750	552
DL3W-24	23.750	603
DL3W-28	26.750	679

UNISTRUT P1000 T CHANNEL
AND 1/2" THREADED ROD
(RECOMMENDED)



NOTES:
 * UNIT = INCHES [mm]
 * DIMENSION AA IS REQUIRED SPACE ABOVE CEILING.
 * COMPONENTS SHOWN ARE THE CHRISTIE LX-45 WITH MOUNT 73-145, DL3W-12, OPT3 AND OPT1.
 * CTB ROD LENGTH IS 11.375".
 * OPT3 SKINS ARE REMOVED IN THESE DRAWING VIEWS.



DETAIL A
SCALE 1 : 3

		DISPLAY DEVICES, INC 5880 SHERIDAN BLVD ARVADA, CO 80003	
		TITLE DL3W-OPT3 CSTM-OPT1 LIPPED-SANYO XP-40/55	
THE INFORMATION CONTAINED IN THIS DRAWING IS THE PROPERTY OF DISPLAY DEVICES, INC. ANY REPRODUCTION IN PART OR WHOLE WITHOUT THE WRITTEN PERMISSION OF DISPLAY DEVICES, INC IS PROHIBITED	UNLESS OTHERWISE SPECIFIED DIMENSIONS ARE IN INCHES. TOLERANCES: .XX = ± .02 .XXX = ± .010 .XXXX = ± .0050 ANGLE = ± 0.5	DRAWN RLS	DATE 5/4/2004
CHECKED	DATE	SIZE B	DRAWING NO. 316-009
MATERIAL NONE	FINISH NONE	SCALE NONE	FILE NAME 316-009.SLDDRW
		REV A	SHEET 1 OF 2