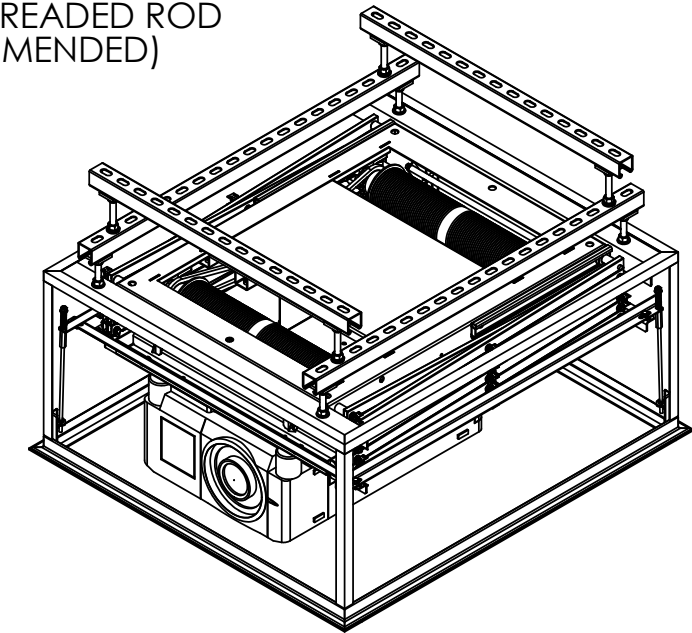
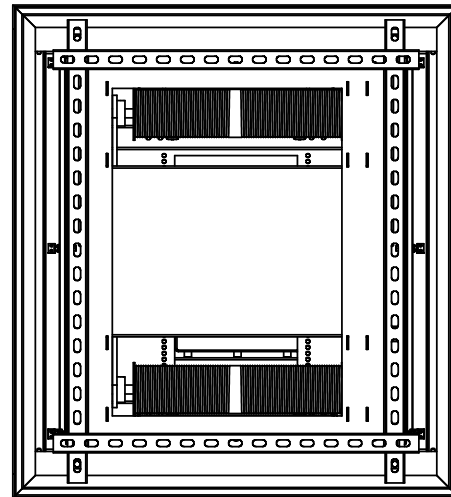


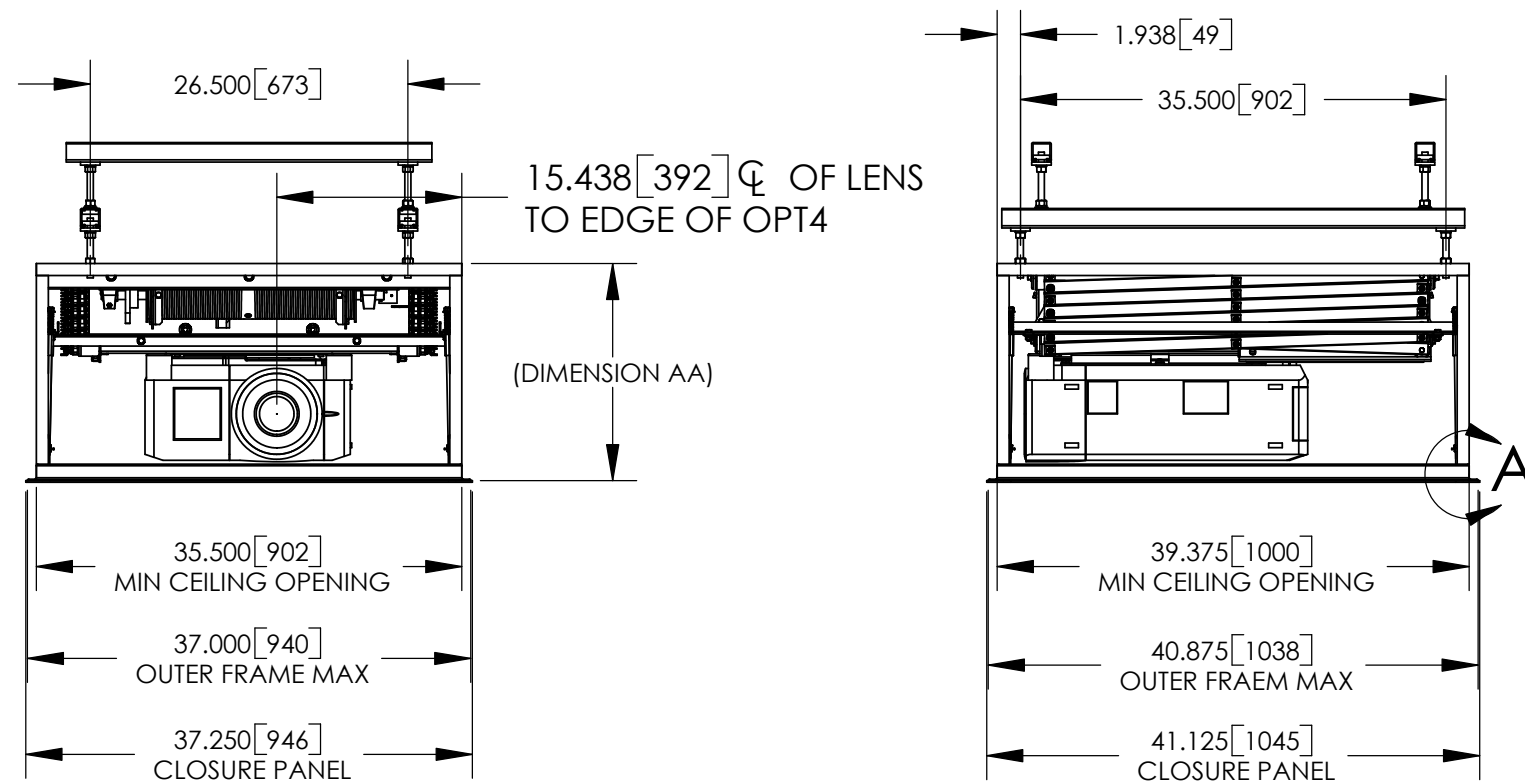
DRAWING REVISION BLOCK						
REV	ER	DESCRIPTION	DRAWN	CHECKED	APPROVED	DATE
A		RELEASE FOR PRODUCTION.	BAR			

DL3W SIZE	DIMENSION AA	
	INCHES	mm
DL3W-12	18.125	460
DL3W-14	19.125	486
DL3W-16	20.125	511
DL3W-18	22.125	562
DL3W-20	23.125	587
DL3W-24	25.125	638
DL3W-28	28.125	714

UNISTRUT P1000 T CHANNEL
AND 1/2" THREADED ROD
(RECOMMENDED)



- NOTES:
 * UNIT = INCHES [mm]
 * DIMENSION AA IS REQUIRED SPACE ABOVE CEILING.
 * COMPONENTS SHOWN ARE THE SANYO XF-31 WITH MOUNT (73-127), DL3W-12, OPT4 AND OPT1.
 * CTB ROD LENGTH IS 12.750".



		DISPLAY DEVICES, INC 5880 SHERIDAN BLVD ARVADA, CO 80003			
		TITLE DL3W - OPT4 STD - OPT1 LIPPED - W/SANYO XF-31			
THE INFORMATION CONTAINED IN THIS DRAWING IS THE PROPERTY OF DISPLAY DEVICES, INC. ANY REPRODUCTION IN PART OR WHOLE WITHOUT THE WRITTEN PERMISSION OF DISPLAY DEVICES, INC IS PROHIBITED	UNLESS OTHERWISE SPECIFIED DIMENSIONS ARE IN INCHES. TOLERANCES: .XX = ± .02 .XXX = ± .010 .XXXX = ± .0050 ANGLE = ± 0.5	DRAWN BAR	DATE 3/12/2004	SIZE B	DRAWING NO. 316-007
CHECKED	DATE	MATERIAL NONE	FINISH NONE	SCALE NONE	FILE NAME 316-007.SLDDRW
					REV A
					SHEET 1 OF 2