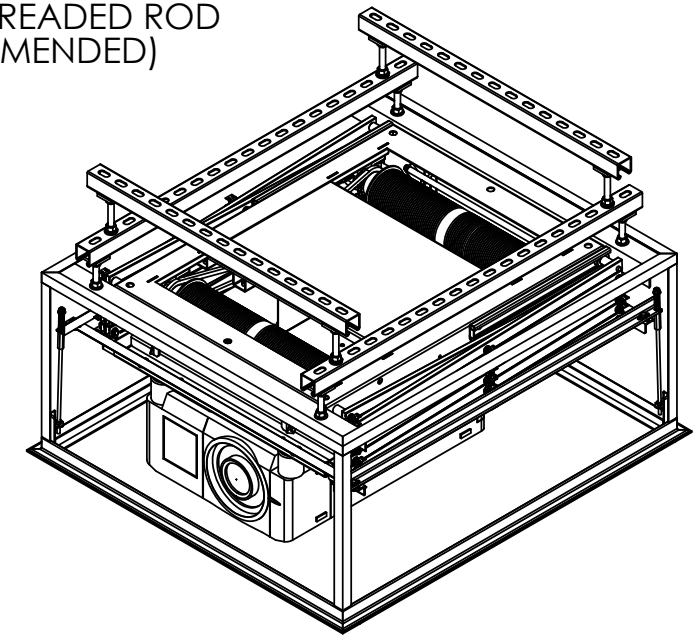
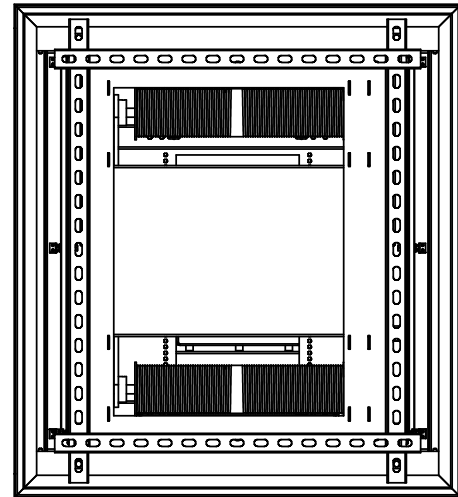


DRAWING REVISION BLOCK

REV	ER	DESCRIPTION	DRAWN	CHECKED	APPROVED	DATE

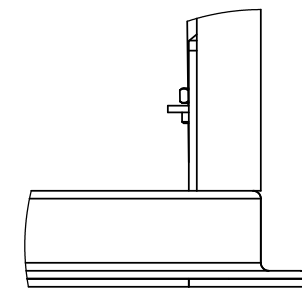
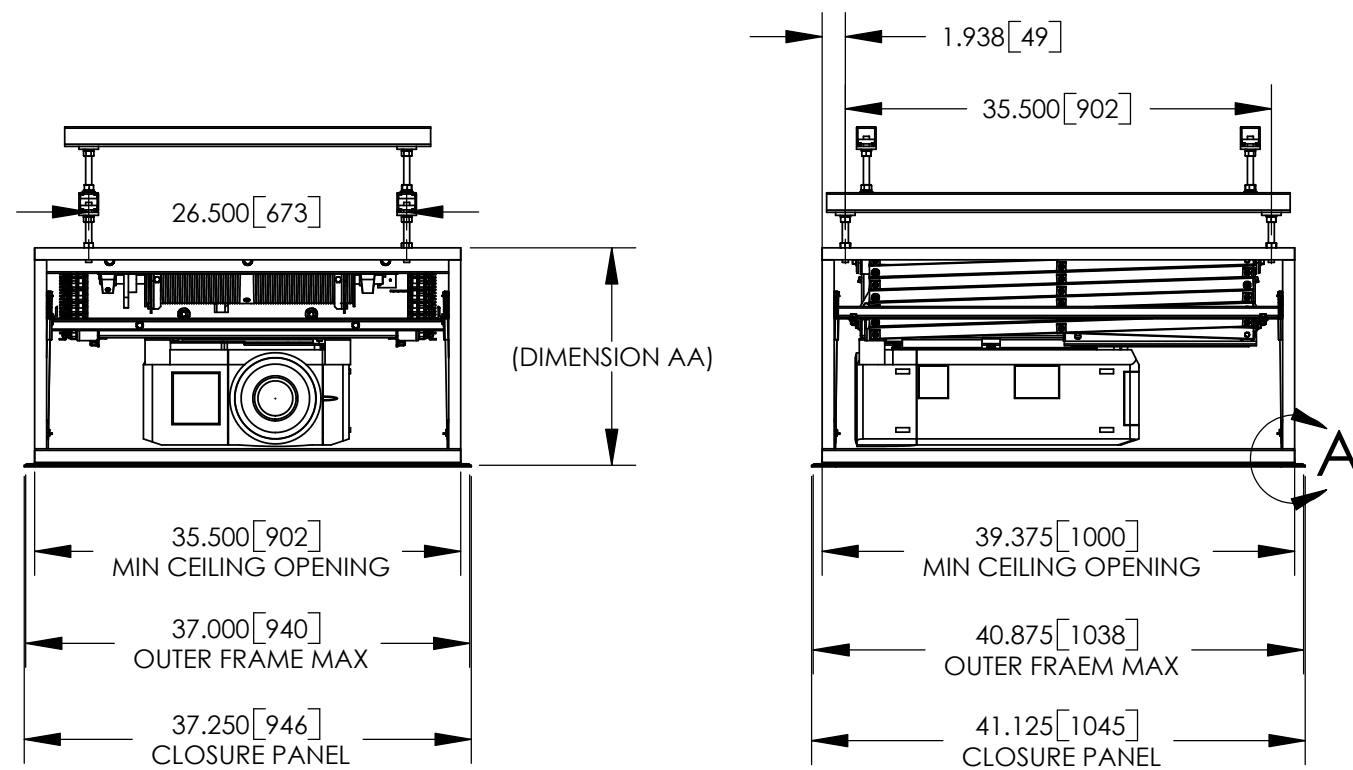
DL3W SIZE	DIMENSION AA	
	INCHES	mm
DL3W-12	18.125	460
DL3W-14	19.125	486
DL3W-16	20.125	511
DL3W-18	22.125	562
DL3W-20	23.125	587
DL3W-24	25.125	638
DL3W-28	28.125	714

UNISTRUT P1000 T CHANNEL AND 1/2" THREADED ROD (RECOMMENDED)



NOTES:

- \* UNIT = INCHES [mm]
- \* DIMENSION AA IS REQUIRED SPACE ABOVE CEILING.
- \* COMPONENTS SHOWN ARE THE SANYO PCL-XF30 WITH MOUNT 73-127, DL3W-12, OPT3 AND OPT1.
- \* CTB ROD LENGTH IS 12.750".
- \* OPT3 SKINS ARE REMOVED IN THESE DRAWING VIEWS.



DETAIL A  
SCALE 1 : 3

		<b>DISPLAY DEVICES, INC</b> 5880 SHERIDAN BLVD ARVADA, CO 80003				
		TITLE <b>DL3W-OPT3 CSTM-OPT1 LIPPED-W/SANYO PCL-XF30</b>				
THE INFORMATION CONTAINED IN THIS DRAWING IS THE PROPERTY OF DISPLAY DEVICES, INC. ANY REPRODUCTION IN PART OR WHOLE WITHOUT THE WRITTEN PERMISSION OF DISPLAY DEVICES, INC IS PROHIBITED.		UNLESS OTHERWISE SPECIFIED DIMENSIONS ARE IN INCHES.  TOLERANCES: .XX = ± .02 .XXX = ± .010 .XXXX = ± .0050 ANGLE = ± 0.5		SIZE <b>B</b>	DRAWING NO. 316-010	REV A
DRAWN RLS	DATE 6/7/2004	SCALE NONE	FILE NAME 316-010.SLDDRW	SHEET 1 OF 2		