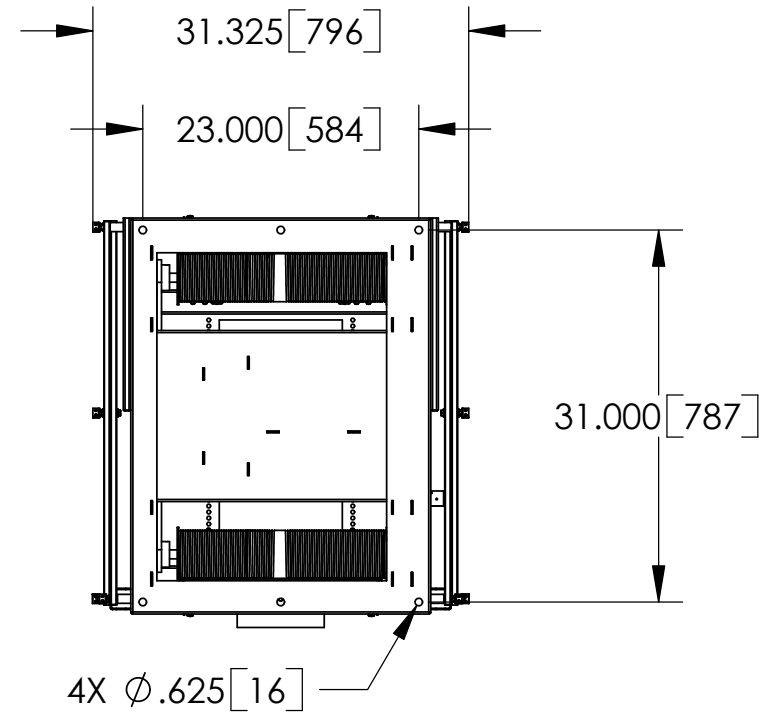
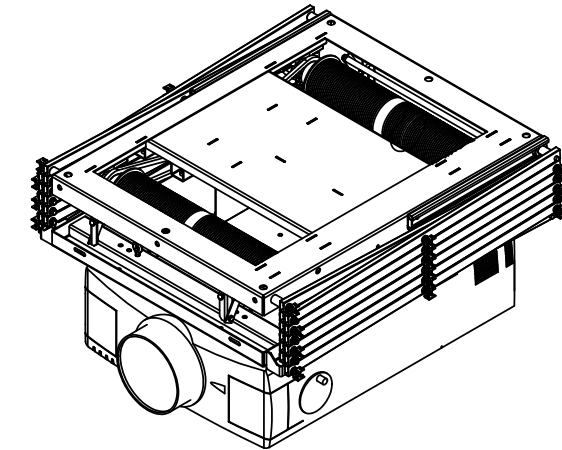


DRAWING REVISION BLOCK						
REV	ER	DESCRIPTION	DRAWN	CHECKED	APPROVED	DATE
A		RELEASE FOR DIMENSIONAL INFO ONLY.	BAR			

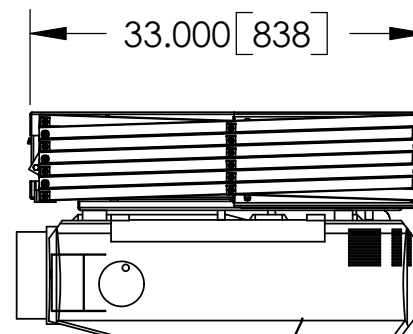
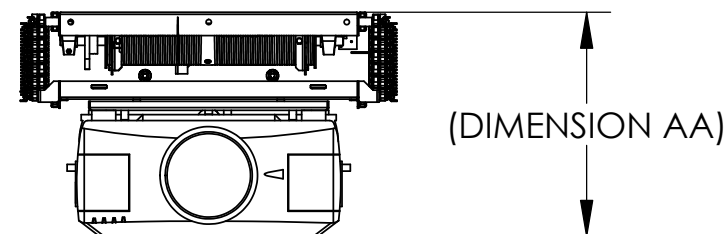


DL3W SIZE	DIMENSION AA	
	INCHES	mm
DL3W-12	18.660	474
DL3W-14	19.660	499
DL3W-16	20.660	525
DL3W-18	22.660	576
DL3W-20	23.660	601
DL3W-24	25.660	652
DL3W-28	28.660	728



ISOMETRIC VIEW
FOR REFERENCE ONLY

NOTES:
 * UNIT = INCHES [mm]
 * COMPONENTS SHOWN ARE THE SANYO XF-20 WITH MOUNT (73-071) AND DL3W-12.



		DISPLAY DEVICES, INC 5880 SHERIDAN BLVD ARVADA, CO 80003				
		TITLE DL3W W/SANYO XF-20 PROJECTOR AND MOUNT				
THE INFORMATION CONTAINED IN THIS DRAWING IS THE PROPERTY OF DISPLAY DEVICES, INC. ANY REPRODUCTION IN PART OR WHOLE WITHOUT THE WRITTEN PERMISSION OF DISPLAY DEVICES, INC IS PROHIBITED	UNLESS OTHERWISE SPECIFIED DIMENSIONS ARE IN INCHES. TOLERANCES: .XX = ± .02 .XXX = ± .010 .XXXX = ± .0050 ANGLE = ± 0.5	DRAWN BAR	DATE 3/5/2004	SIZE B	DRAWING NO. 316-901	REV A
MATERIAL NONE		FINISH NONE		SCALE NONE	FILE NAME 316-901	SHEET 1 OF 1