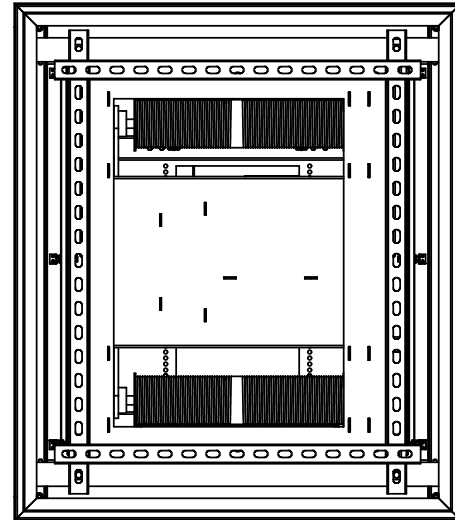
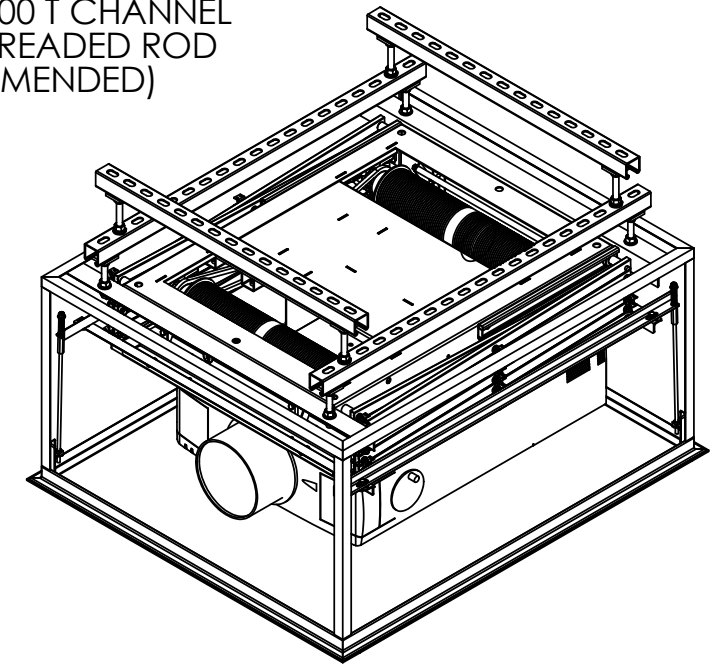


DRAWING REVISION BLOCK

REV	ER	DESCRIPTION	DRAWN	CHECKED	APPROVED	DATE

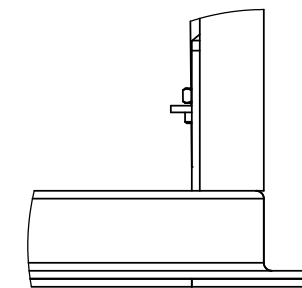
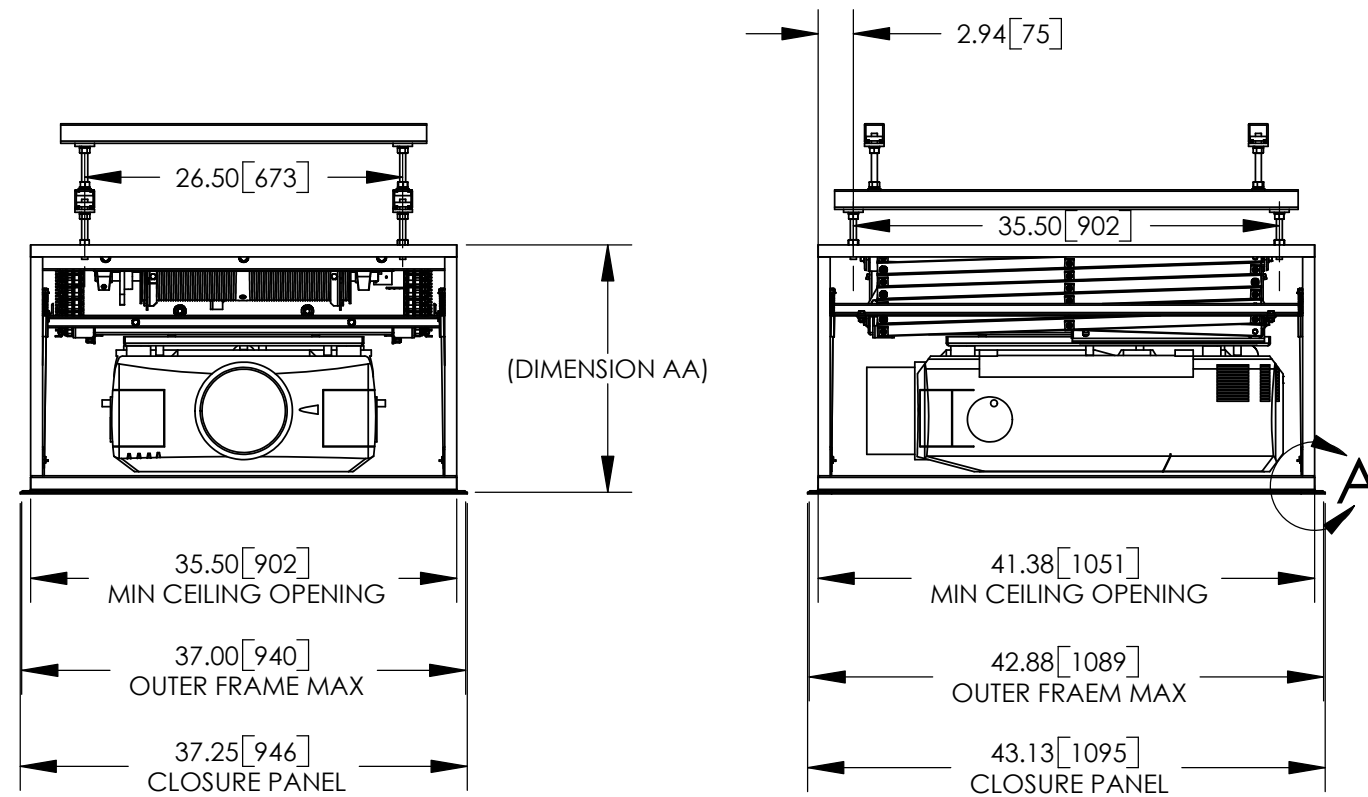
DL3W SIZE	DIMENSION AA	
	INCHES	mm
DL3W-12	20.625	524
DL3W-14	21.625	549
DL3W-16	22.625	575
DL3W-18	24.625	625
DL3W-20	25.625	651
DL3W-24	27.625	702
DL3W-28	30.625	778

UNISTRUT P1000 T CHANNEL
AND 1/2" THREADED ROD
(RECOMMENDED)



NOTES:

- * UNIT = INCHES [mm]
- * DIMENSION AA IS REQUIRED SPACE ABOVE CEILING.
- * COMPONENTS SHOWN ARE THE (PROJECTOR NAME HERE) WITH MOUNT (MNT PART# HERE), DL3W-12, OPT3 AND OPT1.
- * CTB ROD LENGTH IS 12.000".
- * OPT3 SKINS ARE REMOVED IN THESE DRAWING VIEWS.



DETAIL A
SCALE 1 : 3

		DISPLAY DEVICES, INC 5880 SHERIDAN BLVD ARVADA, CO 80003				
		TITLE DL3W-OPT3 CSTM-OPT1 LIPPED-W/AV-9350 BOTTOM CLOSURE				
THE INFORMATION CONTAINED IN THIS DRAWING IS THE PROPERTY OF DISPLAY DEVICES, INC. ANY REPRODUCTION IN PART OR WHOLE WITHOUT THE WRITTEN PERMISSION OF DISPLAY DEVICES, INC IS PROHIBITED	UNLESS OTHERWISE SPECIFIED DIMENSIONS ARE IN INCHES. TOLERANCES: .XX = ± .02 .XXX = ± .010 .XXXX = ± .0050 ANGLE = ± 0.5	DRAWN RLS	DATE 4/12/2005	SIZE B	DRAWING NO. 316-019	REV A
CHECKED	DATE	MATERIAL NONE	FINISH NONE	SCALE NONE	FILE NAME 316-019.SLDDRW	SHEET 1 OF 2