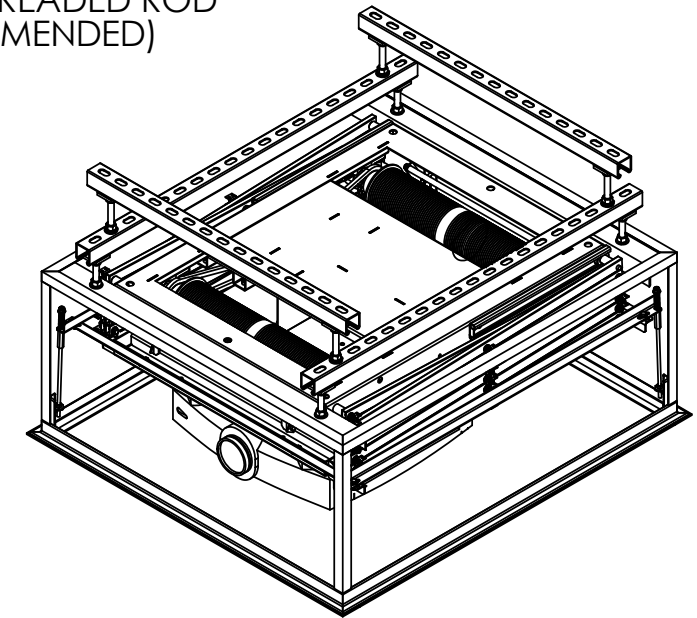
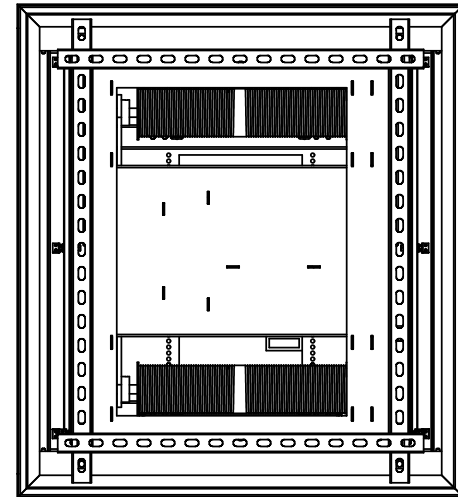


DRAWING REVISION BLOCK

REV	ER	DESCRIPTION	DRAWN	CHECKED	APPROVED	DATE

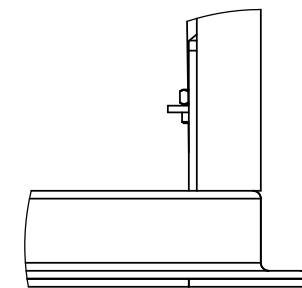
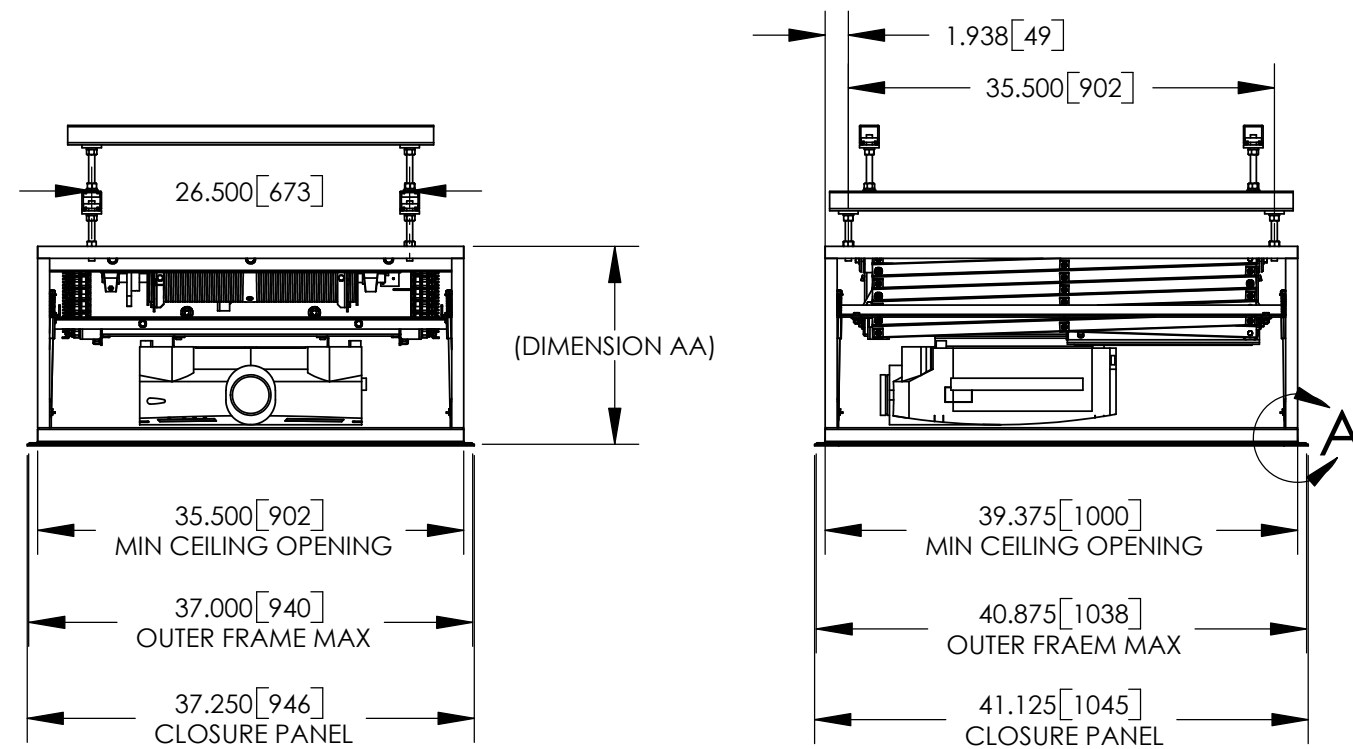
DL3W SIZE	DIMENSION AA	
	INCHES	mm
DL3W-12	16.500	419
DL3W-14	17.500	445
DL3W-16	18.500	470
DL3W-18	20.500	521
DL3W-20	21.500	546
DL3W-24	23.500	597
DL3W-28	26.500	673

UNISTRUT P1000 T CHANNEL AND 1/2" THREADED ROD (RECOMMENDED)



NOTES:

- \* UNIT = INCHES [mm]
- \* DIMENSION AA IS REQUIRED SPACE ABOVE CEILING.
- \* COMPONENTS SHOWN ARE THE PANASONIC PT-L6500U WITH MOUNT 73-078, DL3W-12, OPT4 AND OPT1.
- \* CTB ROD LENGTH IS 11.125".



DETAIL A  
SCALE 1 : 3

		<b>DISPLAY DEVICES, INC</b> 5880 SHERIDAN BLVD ARVADA, CO 80003			
		TITLE <b>DL3W - OPT4 STD - OPT1 LIPPED - W/PANASONIC PT-L6500U</b>			
THE INFORMATION CONTAINED IN THIS DRAWING IS THE PROPERTY OF DISPLAY DEVICES, INC. ANY REPRODUCTION IN PART OR WHOLE WITHOUT THE WRITTEN PERMISSION OF DISPLAY DEVICES, INC IS PROHIBITED	UNLESS OTHERWISE SPECIFIED DIMENSIONS ARE IN INCHES.  TOLERANCES: .XX = ± .02 .XXX = ± .010 .XXXX = ± .0050 ANGLE = ± 0.5	DRAWN RLS	DATE 5/6/2005	SIZE <b>B</b>	DRAWING NO. 316-022
CHECKED	DATE	MATERIAL NONE	FINISH NONE	SCALE NONE	FILE NAME 316-022.SLDDRW
				REV <b>A</b>	SHEET 1 OF 2