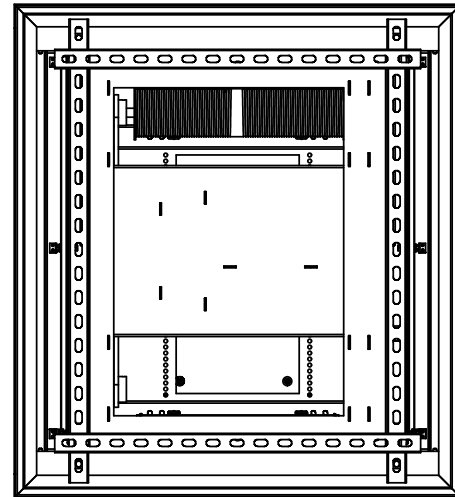
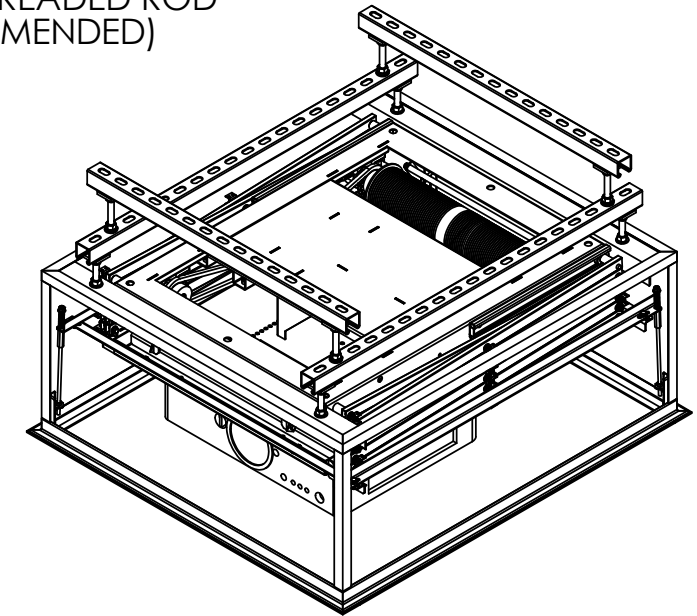


DRAWING REVISION BLOCK

REV	ER	DESCRIPTION	DRAWN	CHECKED	APPROVED	DATE

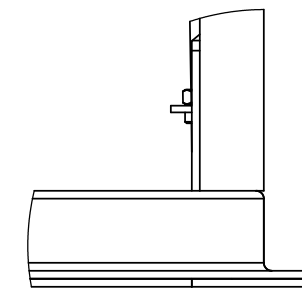
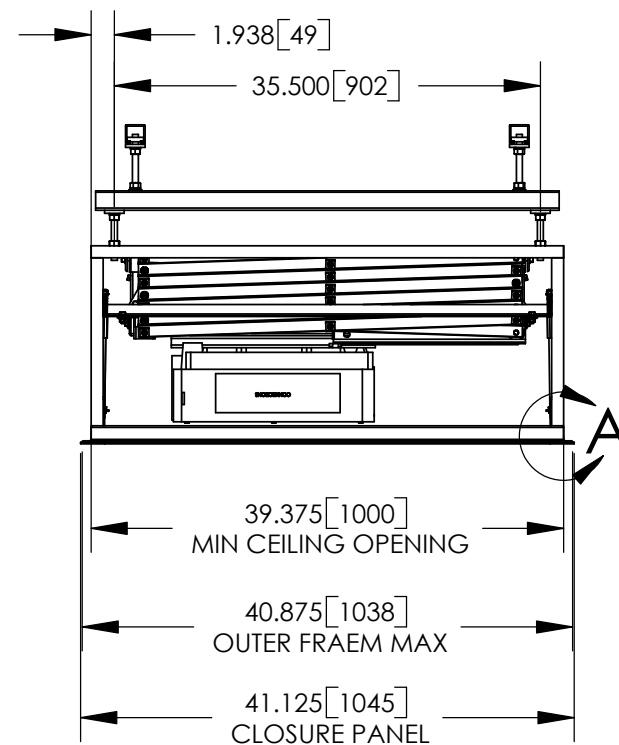
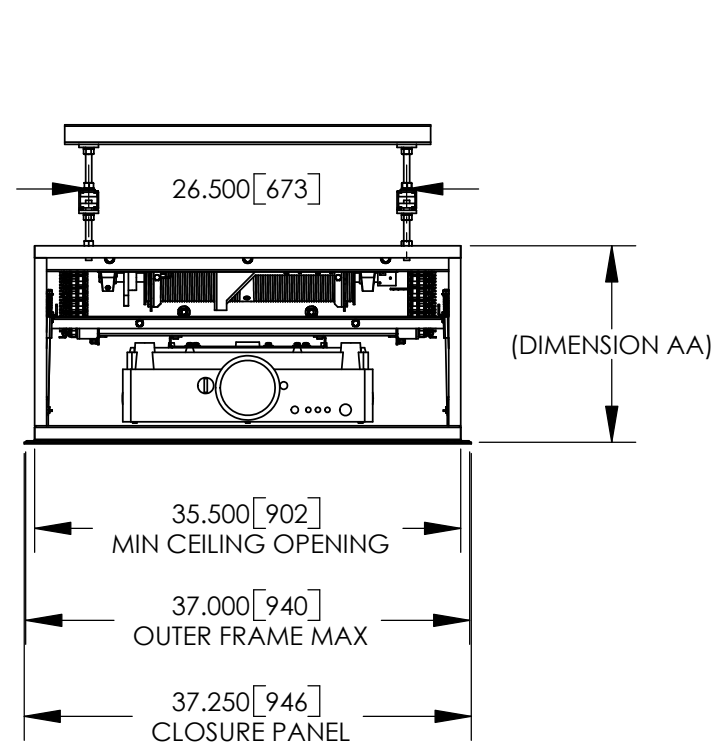
DL3W SIZE	DIMENSION AA	
	INCHES	mm
DL3W-12	16.375	416
DL3W-14	17.375	441
DL3W-16	18.375	467
DL3W-18	20.375	518
DL3W-20	21.375	543
DL3W-24	23.375	594
DL3W-28	26.375	670

UNISTRUT P1000 T CHANNEL AND 1/2" THREADED ROD (RECOMMENDED)



NOTES:

- * UNIT = INCHES [mm]
- * DIMENSION AA IS REQUIRED SPACE ABOVE CEILING.
- * COMPONENTS SHOWN ARE THE PANASONIC PT-D5500 WITH MOUNT 73-675, DL3W-12, OPT3 AND OPT1.
- * CTB ROD LENGTH IS 11.000".
- * OPT3 SKINS ARE REMOVED IN THESE DRAWING VIEWS.



DETAIL A
SCALE 1 : 3

		DISPLAY DEVICES, INC 5880 SHERIDAN BLVD ARVADA, CO 80003	
		TITLE DL3W - OPT3 STD - OPT1 LIPPED - W/PANASONIC PT-D5500	
THE INFORMATION CONTAINED IN THIS DRAWING IS THE PROPERTY OF DISPLAY DEVICES, INC. ANY REPRODUCTION IN PART OR WHOLE WITHOUT THE WRITTEN PERMISSION OF DISPLAY DEVICES, INC IS PROHIBITED.	UNLESS OTHERWISE SPECIFIED DIMENSIONS ARE IN INCHES. TOLERANCES: .XX = ± .02 .XXX = ± .010 .XXXX = ± .0050 ANGLE = ± 0.5	DRAWN RLS DATE 6/21/2005	DATE 6/21/2005
DRAWN RLS	DATE 6/21/2005	SIZE B	DRAWING NO. 316-027
CHECKED	DATE	SCALE NONE	FILE NAME 316-027.SLDDRW
MATERIAL NONE	FINISH NONE	REV A	SHEET 1 OF 2