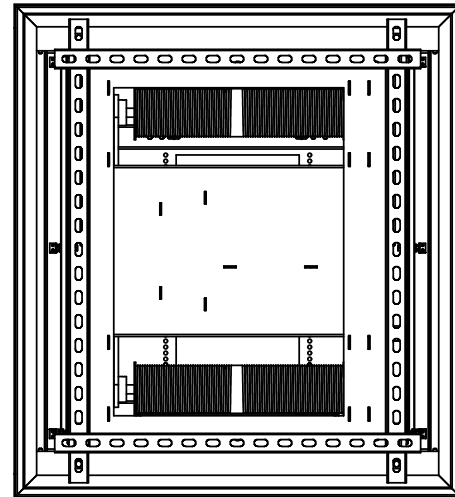
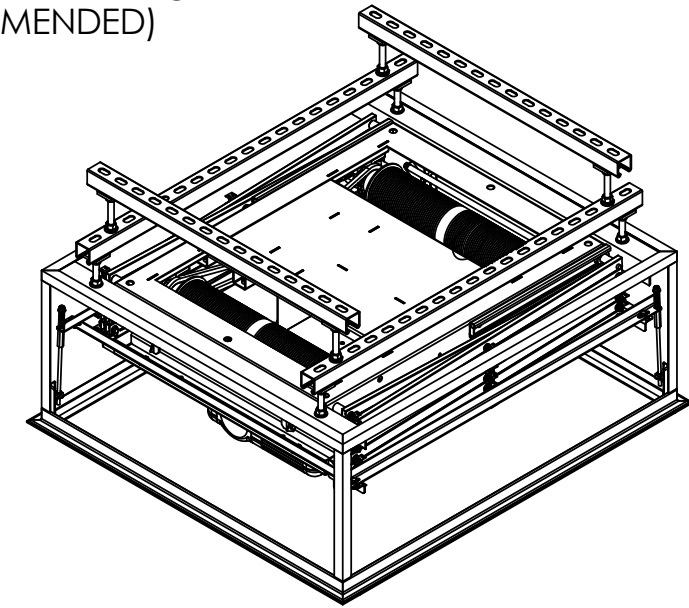


DRAWING REVISION BLOCK

REV	ER	DESCRIPTION	DRAWN	CHECKED	APPROVED	DATE

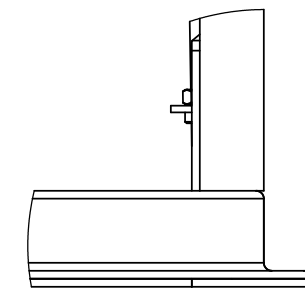
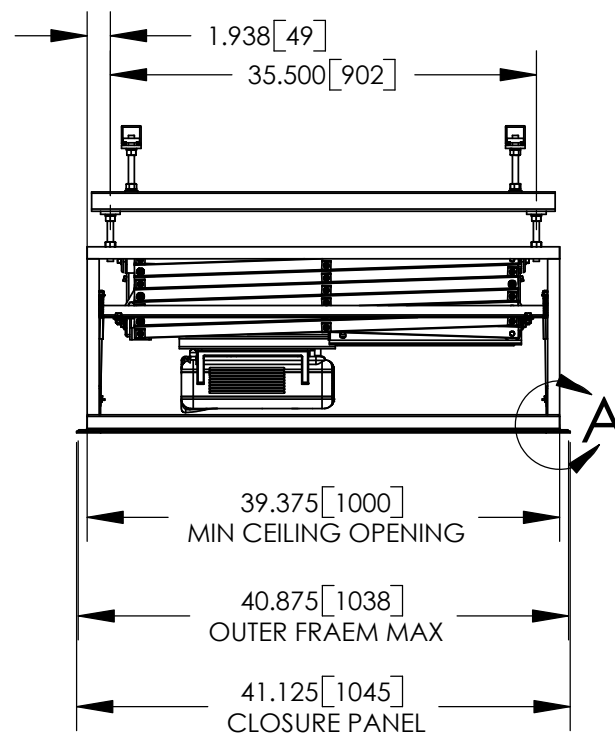
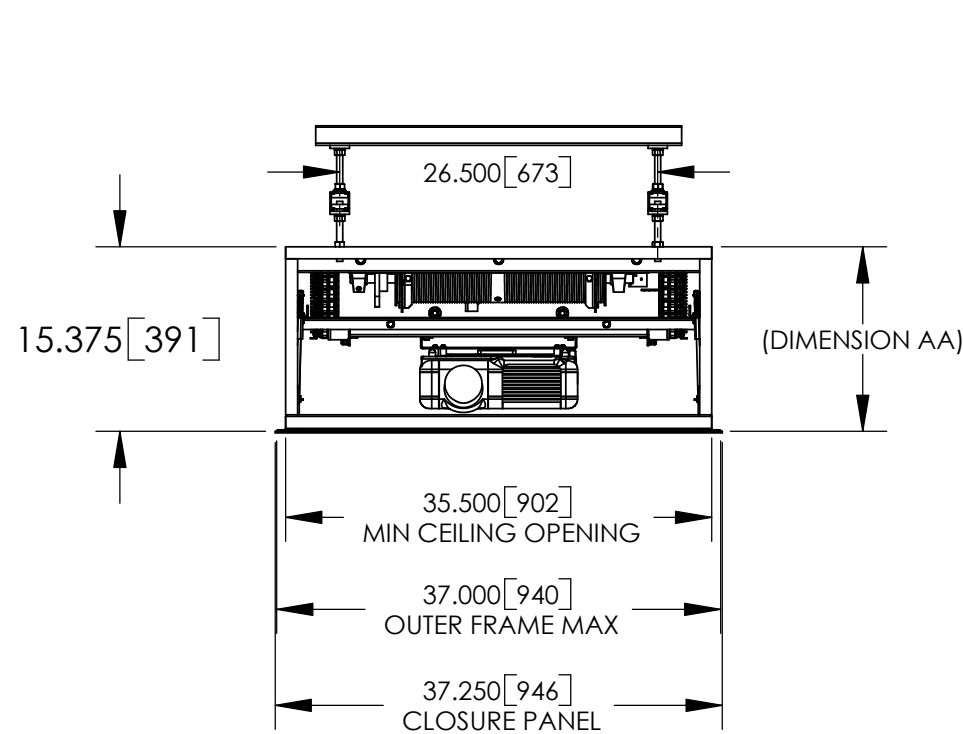
DL3W SIZE	DIMENSION AA	
	INCHES	mm
DL3W-12	15.375	391
DL3W-14	16.375	416
DL3W-16	17.375	441
DL3W-18	19.375	492
DL3W-20	20.375	518
DL3W-24	22.375	568
DL3W-28	25.375	645

UNISTRUT P1000 T CHANNEL AND 1/2" THREADED ROD (RECOMMENDED)



NOTES:

- * UNIT = INCHES [mm]
- * DIMENSION AA IS REQUIRED SPACE ABOVE CEILING.
- * COMPONENTS SHOWN ARE THE NEC MT-1060 WITH MOUNT 73-226, DL3W-12, OPT3 AND OPT1.
- * CTB ROD LENGTH IS 10.000".
- * OPT3 SKINS ARE REMOVED IN THESE DRAWING VIEWS.



DETAIL A
SCALE 1 : 3

		DISPLAY DEVICES, INC 5880 SHERIDAN BLVD ARVADA, CO 80003				
		TITLE DL3W - OPT3 STD - OPT1 LIPPED - W/NEC MT-1060				
THE INFORMATION CONTAINED IN THIS DRAWING IS THE PROPERTY OF DISPLAY DEVICES, INC. ANY REPRODUCTION IN PART OR WHOLE WITHOUT THE WRITTEN PERMISSION OF DISPLAY DEVICES, INC IS PROHIBITED	UNLESS OTHERWISE SPECIFIED DIMENSIONS ARE IN INCHES. TOLERANCES: .XX = ± .02 .XXX = ± .010 .XXXX = ± .0050 ANGLE = ± 0.5	DRAWN RLS	DATE 6/6/2005	SIZE B	DRAWING NO. 316-026	REV A
CHECKED	DATE	MATERIAL NONE	FINISH NONE	SCALE NONE	FILE NAME 316-026.SLDDRW	SHEET 1 OF 2