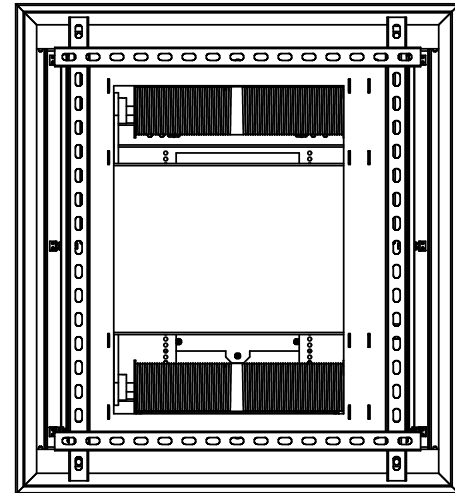
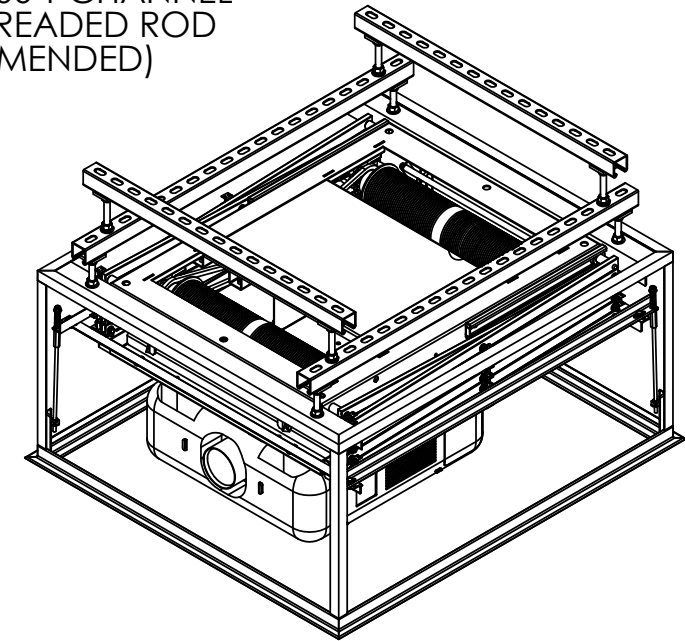


DRAWING REVISION BLOCK

REV	ER	DESCRIPTION	DRAWN	CHECKED	APPROVED	DATE

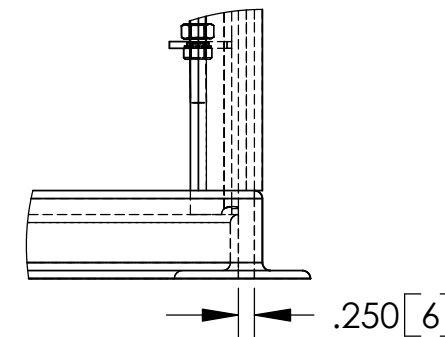
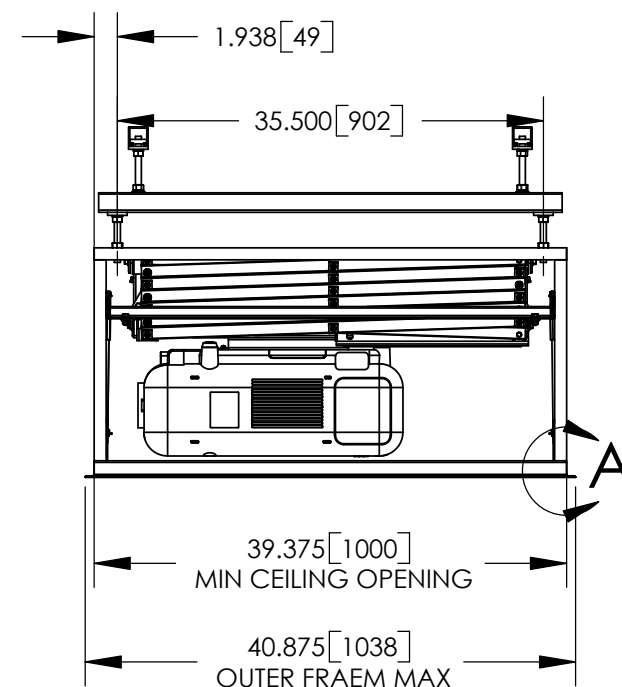
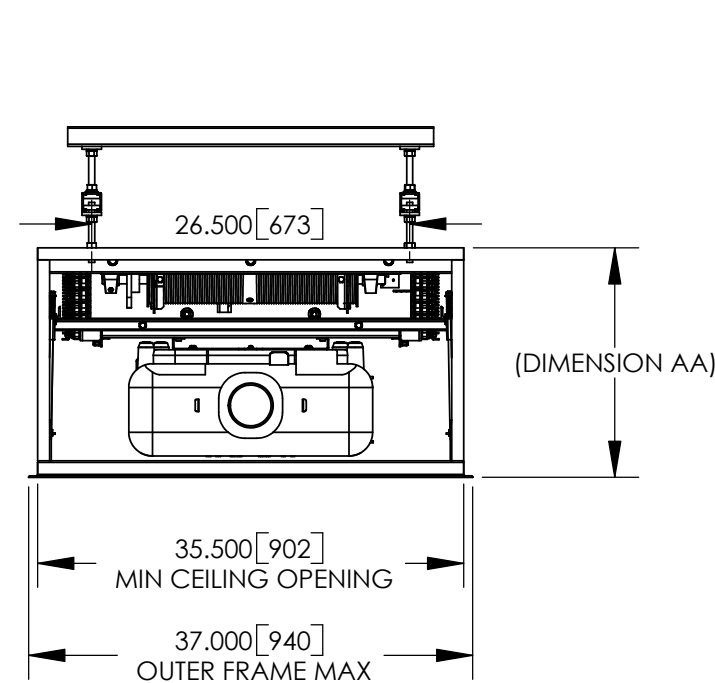
DL3W SIZE	DIMENSION AA	
	INCHES	mm
DL3W-12	19.125	486
DL3W-14	20.125	511
DL3W-16	21.125	537
DL3W-18	23.125	587
DL3W-20	24.125	613
DL3W-24	26.125	664
DL3W-28	29.125	740

UNISTRUT P1000 T CHANNEL
AND 1/2" THREADED ROD
(RECOMMENDED)



NOTES:

- * UNIT = INCHES [mm]
- * DIMENSION AA IS REQUIRED SPACE ABOVE CEILING.
- * COMPONENTS SHOWN ARE THE NEC GT5000 WITH MOUNT 73-361, DL3W-12, OPT3 AND OPT1.
- * CTB ROD LENGTH IS 12.750".
- * OPT3 SKINS ARE REMOVED IN THESE DRAWING VIEWS.



DETAIL A
SCALE 1 : 3

		DISPLAY DEVICES, INC 5880 SHERIDAN BLVD ARVADA, CO 80003	
		TITLE DL3W-OPT3 CSTM-OPT1 LIPLESS - W/NEC GT5000	
THE INFORMATION CONTAINED IN THIS DRAWING IS THE PROPERTY OF DISPLAY DEVICES, INC. ANY REPRODUCTION IN PART OR WHOLE WITHOUT THE WRITTEN PERMISSION OF DISPLAY DEVICES, INC IS PROHIBITED	UNLESS OTHERWISE SPECIFIED DIMENSIONS ARE IN INCHES. TOLERANCES: .XX = ± .02 .XXX = ± .010 .XXXX = ± .0050 ANGLE = ± 0.5	DRAWN RLS DATE 9/2/2004	DATE 9/2/2004
DRAWN RLS	DATE 9/2/2004	SIZE B	DRAWING NO. 316-016
CHECKED	DATE	SCALE NONE	FILE NAME 316-016.SLDDRW
MATERIAL NONE	FINISH NONE	REV A	SHEET 1 OF 2