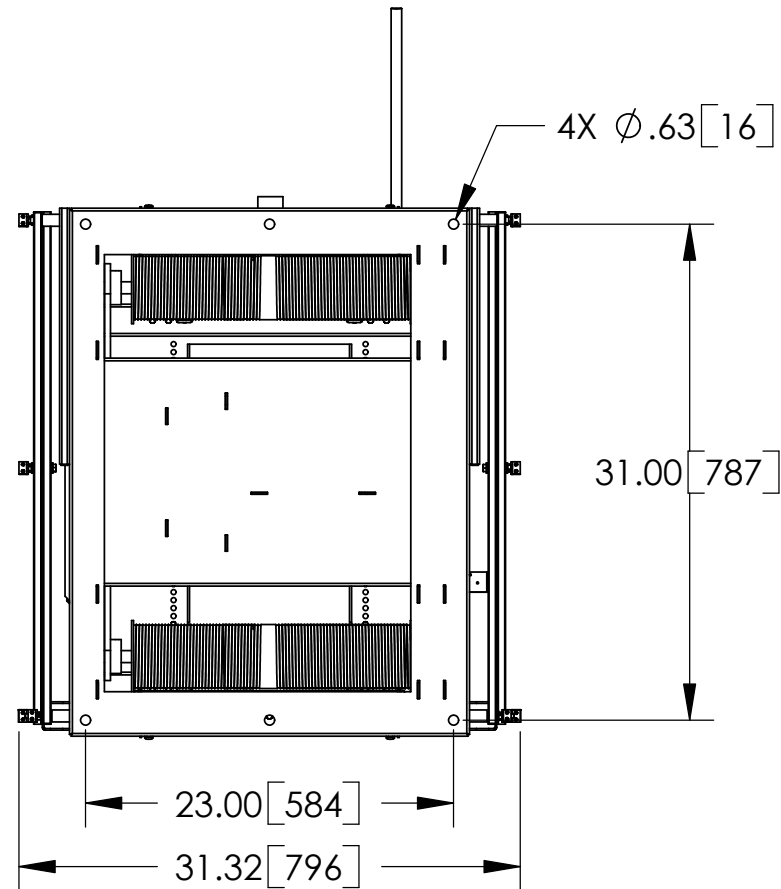


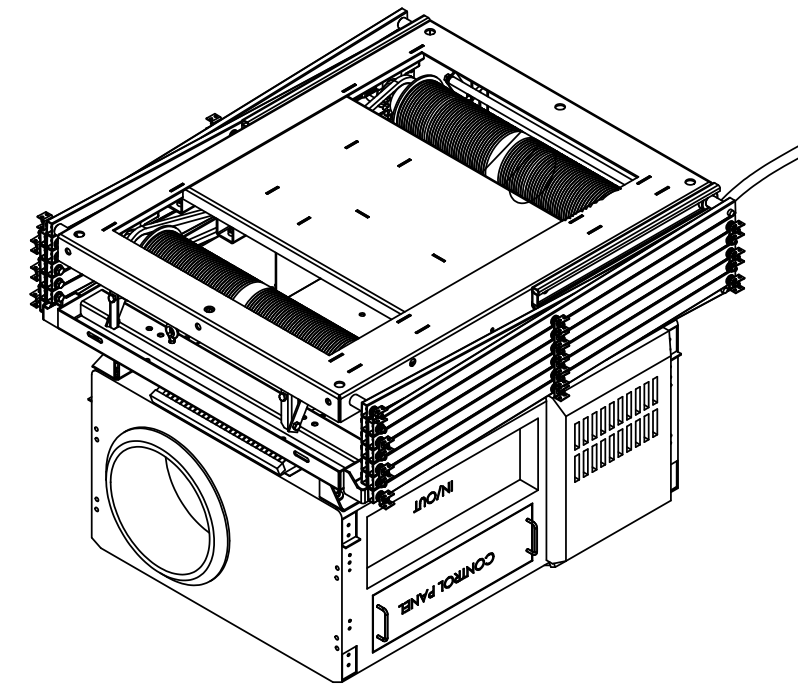
DRAWING REVISION BLOCK

REV	ER	DESCRIPTION	DRAWN	CHECKED	APPROVED	DATE
A		RELEASE FOR DIMENSIONAL INFO ONLY.	BAR			

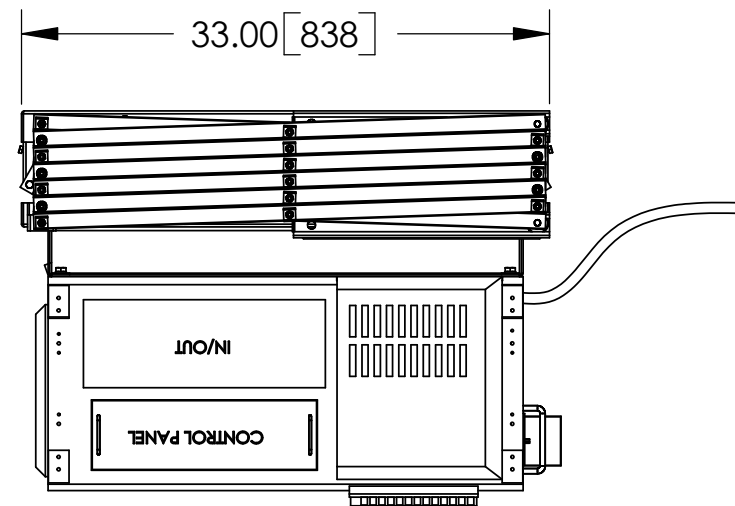
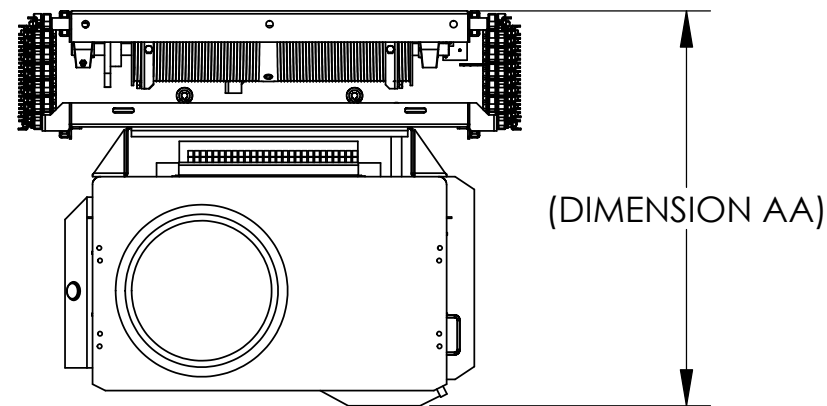


DL3W SIZE	DIMENSION AA	
	INCHES	mm
DL3W-12	24.680	627
DL3W-14	25.680	652
DL3W-16	26.680	678
DL3W-18	28.680	728
DL3W-20	29.680	754
DL3W-24	31.680	805
DL3W-28	34.680	881

NOTES:
 * UNIT = INCHES [mm]
 * COMPONENTS SHOWN ARE THE NEC IS8-2K WITH MOUNT (73-426) AND DL3W-12.



ISOMETRIC VIEW FOR REFERENCE ONLY



		DISPLAY DEVICES, INC 5880 SHERIDAN BLVD ARVADA, CO 80003			
		TITLE DL3W W/NEC IS8-2K PROJECTOR AND MOUNT			
THE INFORMATION CONTAINED IN THIS DRAWING IS THE PROPERTY OF DISPLAY DEVICES, INC. ANY REPRODUCTION IN PART OR WHOLE WITHOUT THE WRITTEN PERMISSION OF DISPLAY DEVICES, INC IS PROHIBITED	UNLESS OTHERWISE SPECIFIED DIMENSIONS ARE IN INCHES. TOLERANCES: .XX = ± .02 .XXX = ± .010 .XXXX = ± .0050 ANGLE = ± 0.5	DRAWN RLS	DATE 4/6/2005	SIZE B	DRAWING NO. 316-902
CHECKED	DATE	MATERIAL NONE	FINISH NONE	SCALE NONE	FILE NAME 316-902
					REV AX1
					SHEET 1 OF 1