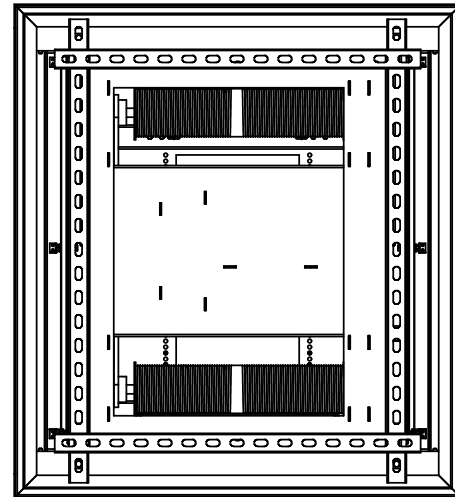
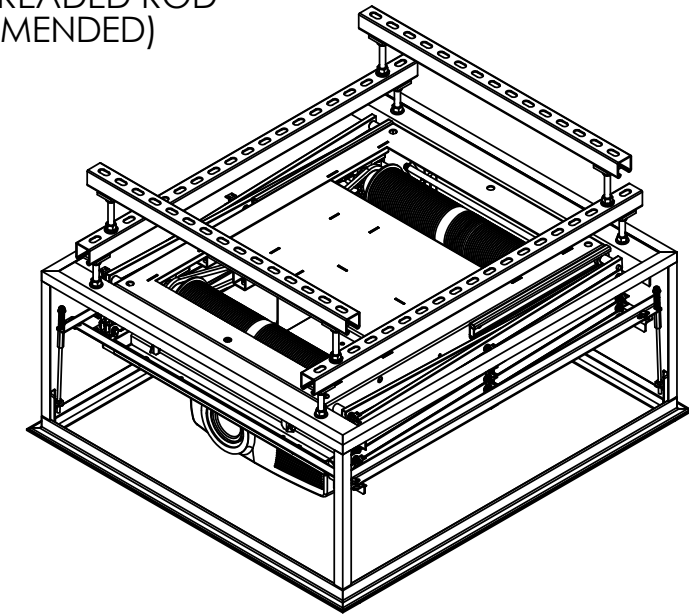


DRAWING REVISION BLOCK

REV	ER	DESCRIPTION	DRAWN	CHECKED	APPROVED	DATE

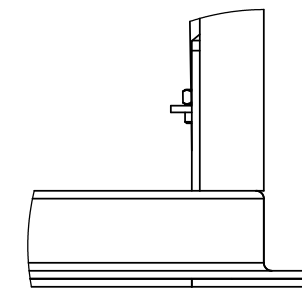
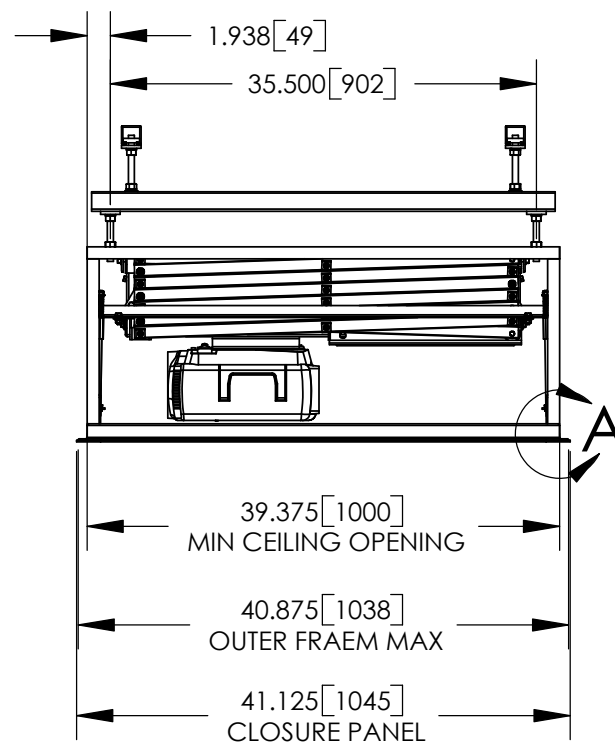
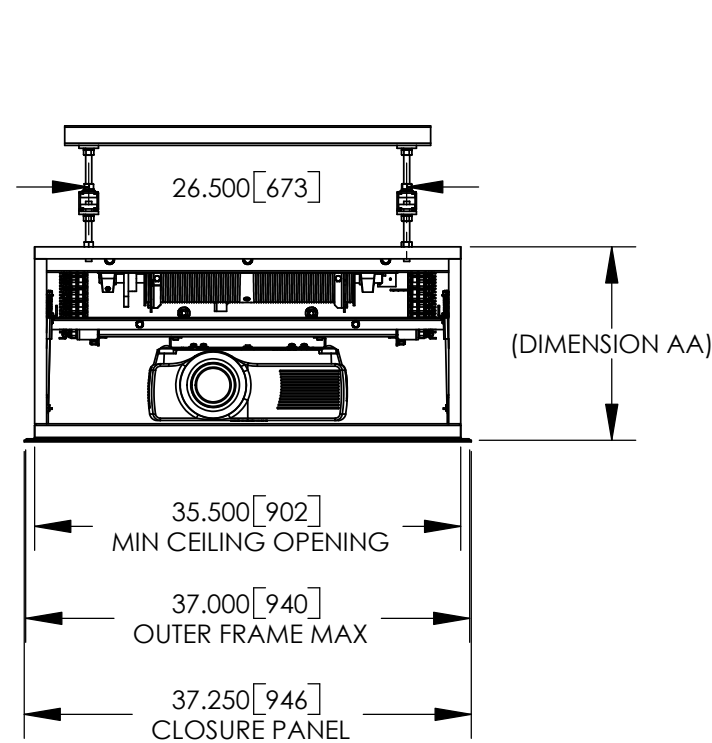
DL3W SIZE	DIMENSION AA	
	INCHES	mm
DL3W-12	16.125	410
DL3W-14	17.125	435
DL3W-16	18.125	460
DL3W-18	20.125	511
DL3W-20	21.125	537
DL3W-24	23.125	587
DL3W-28	26.125	664

UNISTRUT P1000 T CHANNEL
AND 1/2" THREADED ROD
(RECOMMENDED)



NOTES:

- * UNIT = INCHES [mm]
- * DIMENSION AA IS REQUIRED SPACE ABOVE CEILING.
- * COMPONENTS SHOWN ARE THE (PROJECTOR NAME HERE) WITH MOUNT (MNT PART# HERE), DL3W-12, OPT3 AND OPT1.
- * CTB ROD LENGTH IS 12.000"
- * OPT3 SKINS ARE REMOVED IN THESE DRAWING VIEWS.



DETAIL A
SCALE 1 : 3

		DISPLAY DEVICES, INC 5880 SHERIDAN BLVD ARVADA, CO 80003			
		TITLE DL3W - OPT3 STD - OPT1 LIPPED - W/INFOCUS LP-850			
THE INFORMATION CONTAINED IN THIS DRAWING IS THE PROPERTY OF DISPLAY DEVICES, INC. ANY REPRODUCTION IN PART OR WHOLE WITHOUT THE WRITTEN PERMISSION OF DISPLAY DEVICES, INC IS PROHIBITED	UNLESS OTHERWISE SPECIFIED DIMENSIONS ARE IN INCHES. TOLERANCES: .XX = ± .02 .XXX = ± .010 .XXXX = ± .0050 ANGLE = ± 0.5	DRAWN RLS DATE 5/9/2005	DATE 5/9/2005	SIZE B	DRAWING NO. 316-023
MATERIAL NONE		FINISH NONE		SCALE NONE	FILE NAME 316-023.SLDDRW
SHEET 1 OF 2				REV A	SHEET 1 OF 2