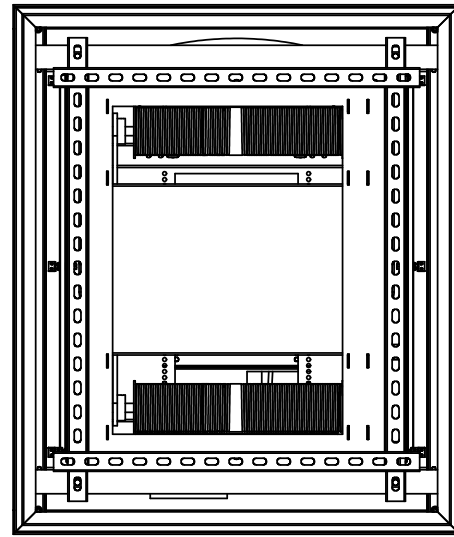


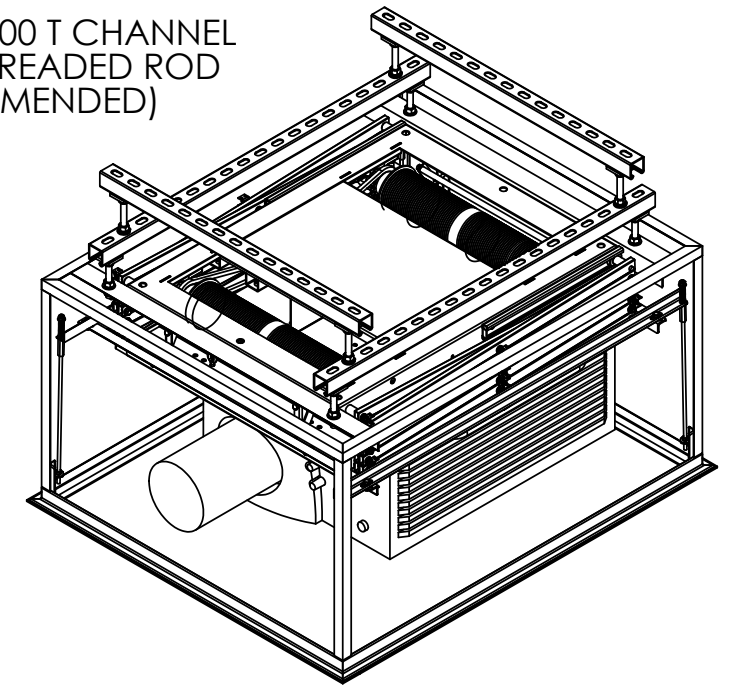
DRAWING REVISION BLOCK

REV	ER	DESCRIPTION	DRAWN	CHECKED	APPROVED	DATE

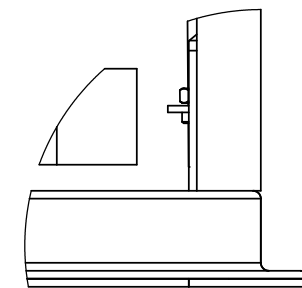
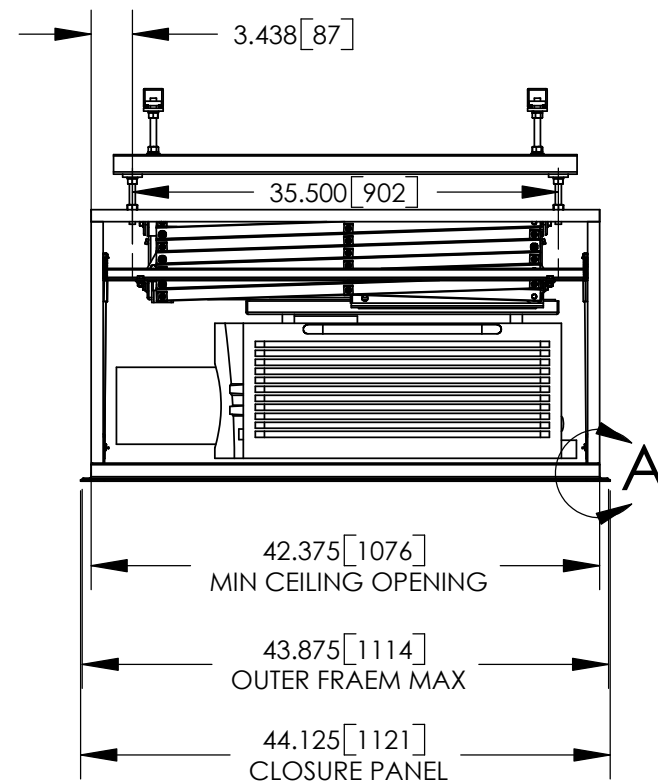
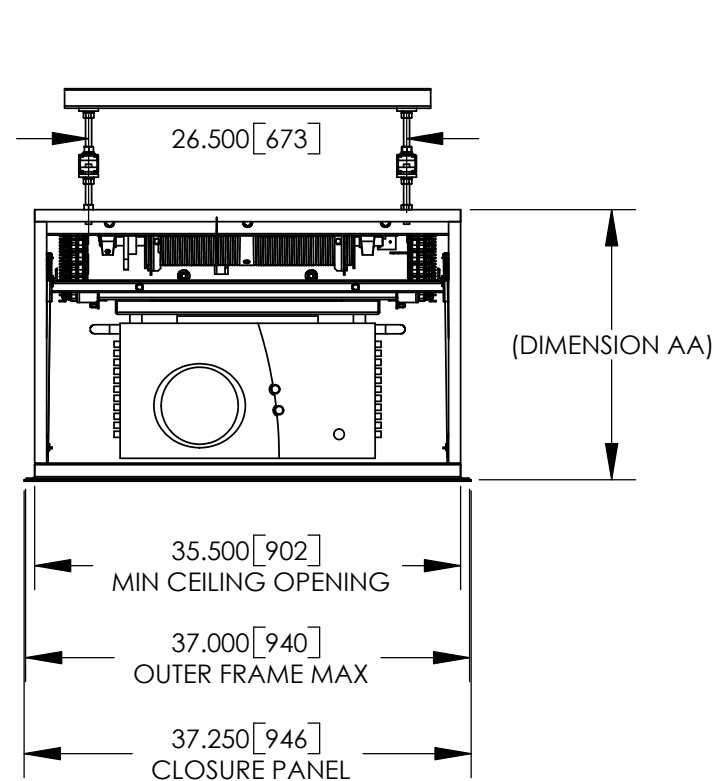


DL3W SIZE	DIMENSION AA	
	INCHES	mm
DL3W-12	22.500	572
DL3W-14	23.500	597
DL3W-16	24.500	622
DL3W-18	26.500	673
DL3W-20	27.500	699
DL3W-24	29.500	749
DL3W-28	32.500	826

UNISTRUT P1000 T CHANNEL AND 1/2" THREADED ROD (RECOMMENDED)



- NOTES:
 * UNIT = INCHES [mm]
 * DIMENSION AA IS REQUIRED SPACE ABOVE CEILING.
 * COMPONENTS SHOWN ARE THE (PROJECTOR NAME HERE) WITH MOUNT (MNT PART# HERE), DL3W-12, OPT4 AND OPT1.
 * CTB ROD LENGTH IS 12.000".



DETAIL A
SCALE 1 : 3

		DISPLAY DEVICES, INC 5880 SHERIDAN BLVD ARVADA, CO 80003			
		TITLE DL3W-OPT4 CSTM-OPT1 LIPPED-W/CHRISTIE X6			
THE INFORMATION CONTAINED IN THIS DRAWING IS THE PROPERTY OF DISPLAY DEVICES, INC. ANY REPRODUCTION IN PART OR WHOLE WITHOUT THE WRITTEN PERMISSION OF DISPLAY DEVICES, INC IS PROHIBITED	UNLESS OTHERWISE SPECIFIED DIMENSIONS ARE IN INCHES. TOLERANCES: .XX = ± .02 .XXX = ± .010 .XXXX = ± .0050 ANGLE = ± 0.5	DRAWN RLS DATE 7/2/2004	DATE 7/2/2004	SIZE B	DRAWING NO. 316-011
MATERIAL NONE		FINISH NONE		SCALE NONE	FILE NAME 316-011.SLDDRW
SHEET 1 OF 2					REV A