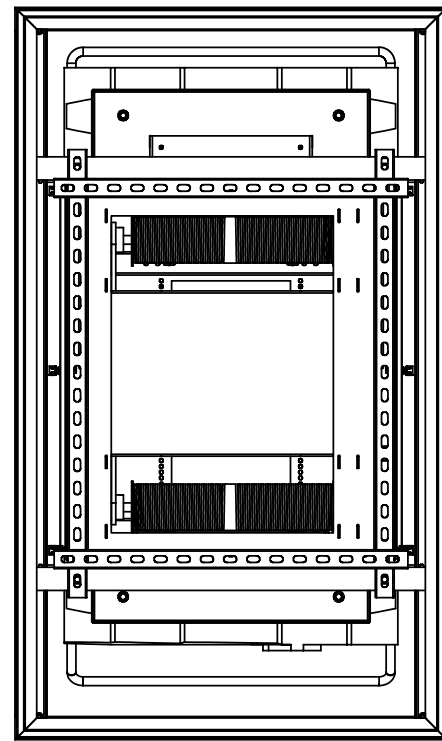
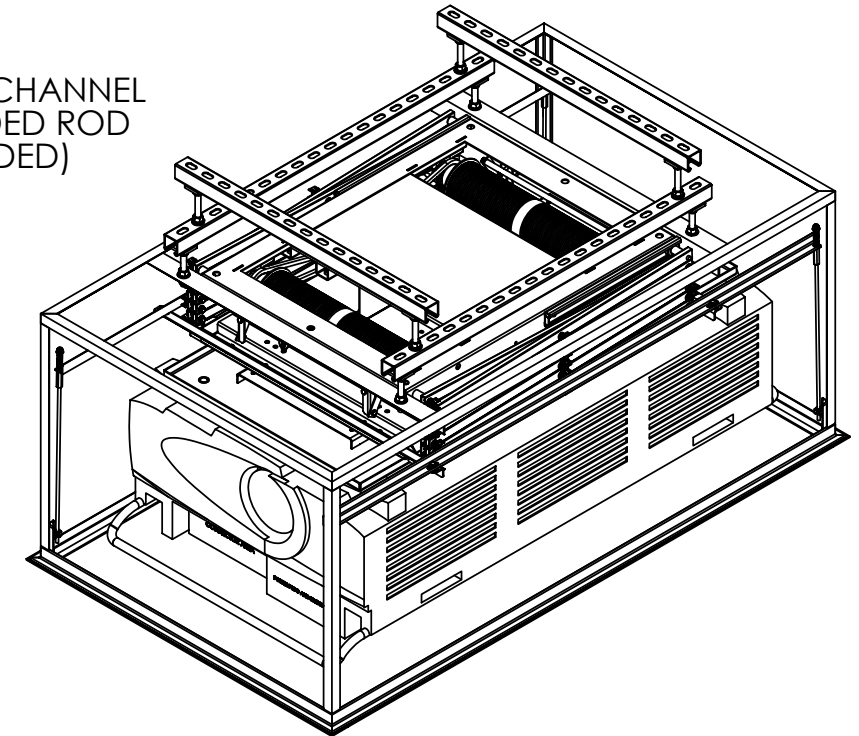


DRAWING REVISION BLOCK						
REV	ER	DESCRIPTION	DRAWN	CHECKED	APPROVED	DATE
AX1		RELEASED FOR PRODUCTION	JTW			4/5/2004



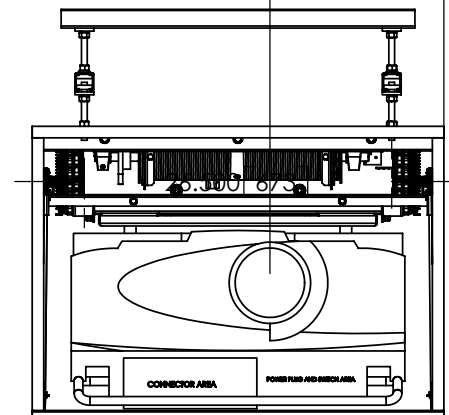
DL3W SIZE	DIMENSION AA	
	INCHES	mm
DL3W-12	25.875	657
DL3W-14	26.875	683
DL3W-16	27.875	708
DL3W-18	29.875	759
DL3W-20	30.875	784
DL3W-24	32.875	835
DL3W-28	35.875	911

UNISTRUT P1000 T CHANNEL AND 1/2" THREADED ROD (RECOMMENDED)

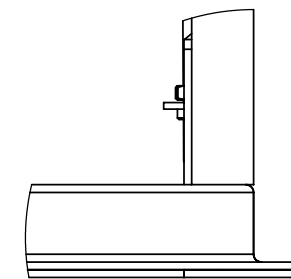
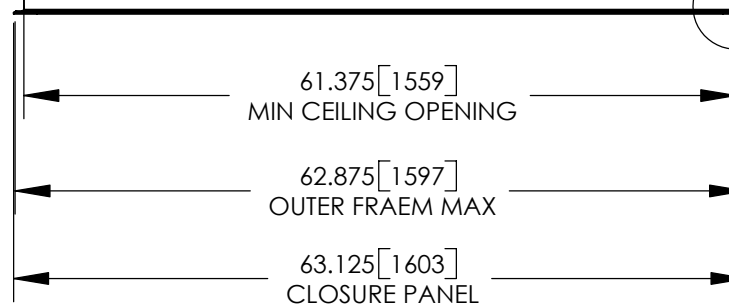
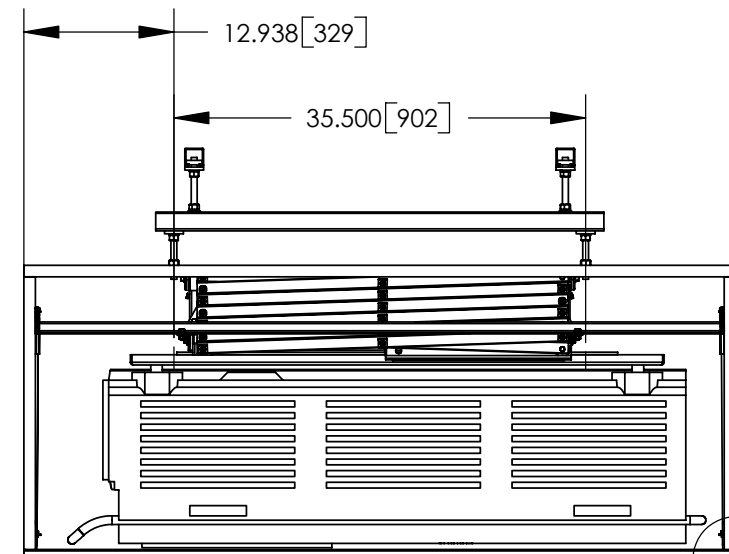
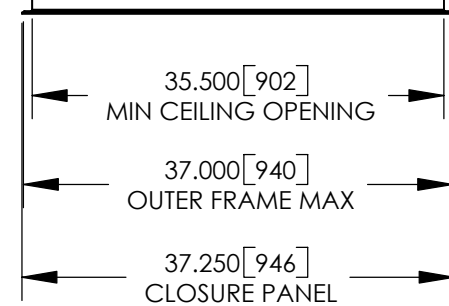


- NOTES:
- * UNIT = INCHES [mm]
 - * DIMENSION AA IS REQUIRED SPACE ABOVE CEILING.
 - * COMPONENTS SHOWN ARE THE CHRISTIE X10 WITH MOUNT 73-646, DL3W-12, OPT4 AND OPT1.
 - * CTB ROD LENGTH IS 17.625".

15.000 [381] ϕ OF LENS TO EDGE OF OPT4



(DIMENSION AA)



DETAIL A
SCALE 1 : 3

		DISPLAY DEVICES, INC 5880 SHERIDAN BLVD ARVADA, CO 80003	
		TITLE DL3W-OPT4 CSTM-OPT1 LIPPED-W/CHRISTIE X10	
THE INFORMATION CONTAINED IN THIS DRAWING IS THE PROPERTY OF DISPLAY DEVICES, INC. ANY REPRODUCTION IN PART OR WHOLE WITHOUT THE WRITTEN PERMISSION OF DISPLAY DEVICES, INC IS PROHIBITED	UNLESS OTHERWISE SPECIFIED DIMENSIONS ARE IN INCHES. TOLERANCES: .XX = ± .02 .XXX = ± .010 .XXXX = ± .0050 ANGLE = ± 0.5	DRAWN JTW	DATE 4/5/2004
CHECKED	DATE	SIZE B	DRAWING NO. 316-012
MATERIAL NONE	FINISH NONE	SCALE NONE	FILE NAME 316-012.SLDDRW
		REV A	SHEET 1 OF 2