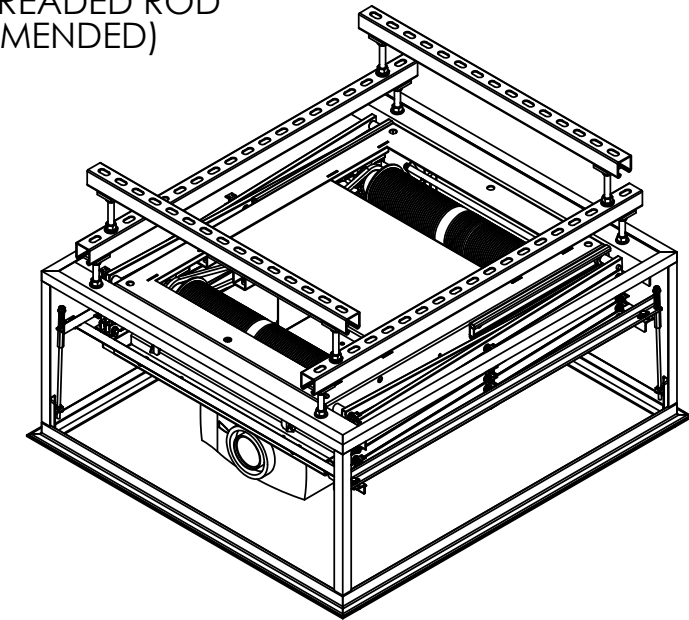
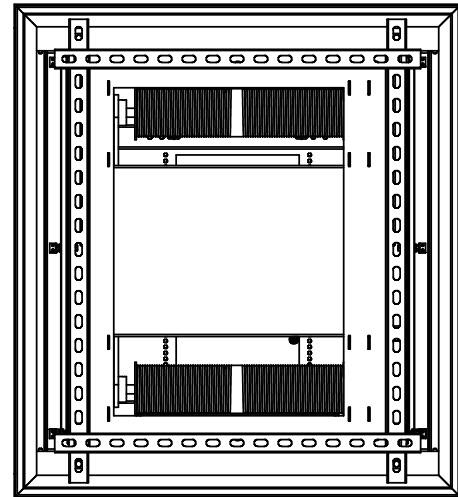


DRAWING REVISION BLOCK

REV	ER	DESCRIPTION	DRAWN	CHECKED	APPROVED	DATE

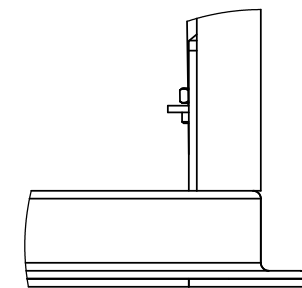
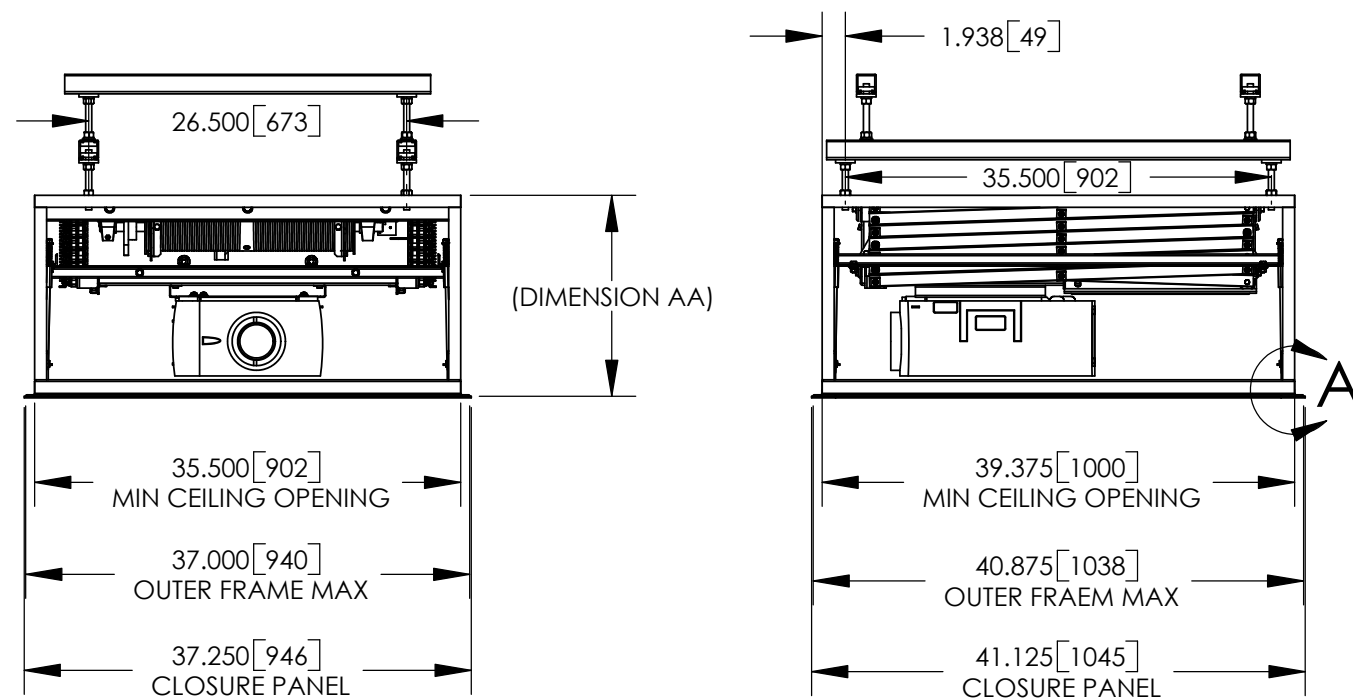
DL3W SIZE	DIMENSION AA	
	INCHES	mm
DL3W-12	16.750	425
DL3W-14	17.750	451
DL3W-16	18.750	476
DL3W-18	20.750	527
DL3W-20	21.750	552
DL3W-24	23.750	603
DL3W-28	26.750	679

UNISTRUT P1000 T CHANNEL AND 1/2" THREADED ROD (RECOMMENDED)



NOTES:

- * UNIT = INCHES [mm]
- * DIMENSION AA IS REQUIRED SPACE ABOVE CEILING.
- * COMPONENTS SHOWN ARE THE CHRISTIE LX-45 WITH MOUNT 73-145, DL3W-12, OPT3 AND OPT1.
- * CTB ROD LENGTH IS 11.375".
- * OPT3 SKINS ARE REMOVED IN THESE DRAWING VIEWS.



DETAIL A
SCALE 1 : 3

		DISPLAY DEVICES, INC 5880 SHERIDAN BLVD ARVADA, CO 80003				
		TITLE DL3W-OPT3 CSTM-OPT1 LIPPED-W/CHRISTIE LX45				
THE INFORMATION CONTAINED IN THIS DRAWING IS THE PROPERTY OF DISPLAY DEVICES, INC. ANY REPRODUCTION IN PART OR WHOLE WITHOUT THE WRITTEN PERMISSION OF DISPLAY DEVICES, INC IS PROHIBITED.		UNLESS OTHERWISE SPECIFIED DIMENSIONS ARE IN INCHES. TOLERANCES: .XX = ± .02 .XXX = ± .010 .XXXX = ± .0050 ANGLE = ± 0.5		SIZE B	DRAWING NO. 316-009	REV A
DRAWN RLS	DATE 5/4/2004	SCALE NONE	FILE NAME 316-009.SLDDRW	SHEET 1 OF 2		