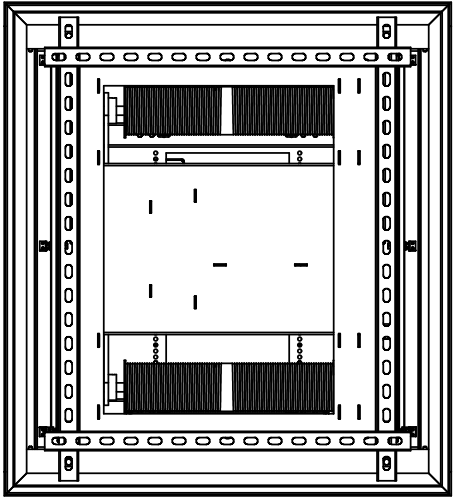
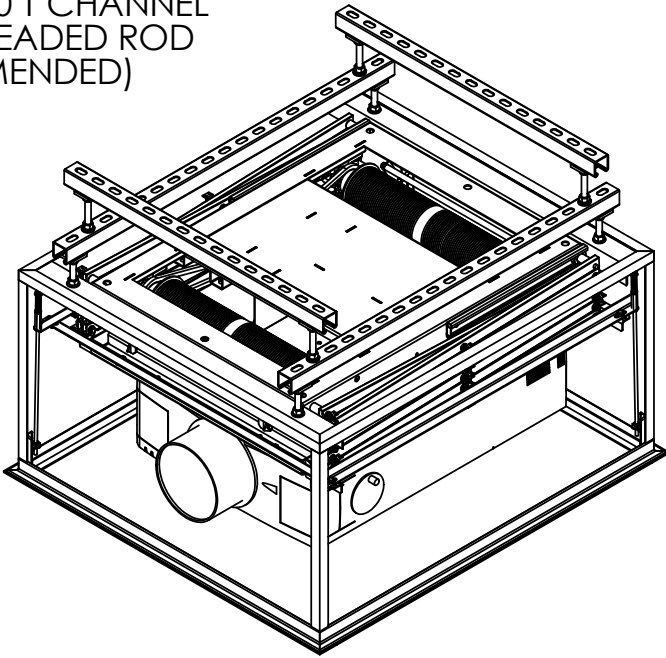


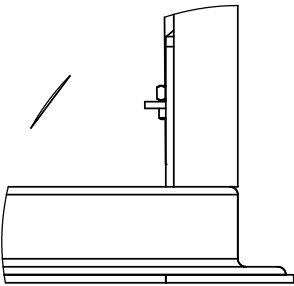
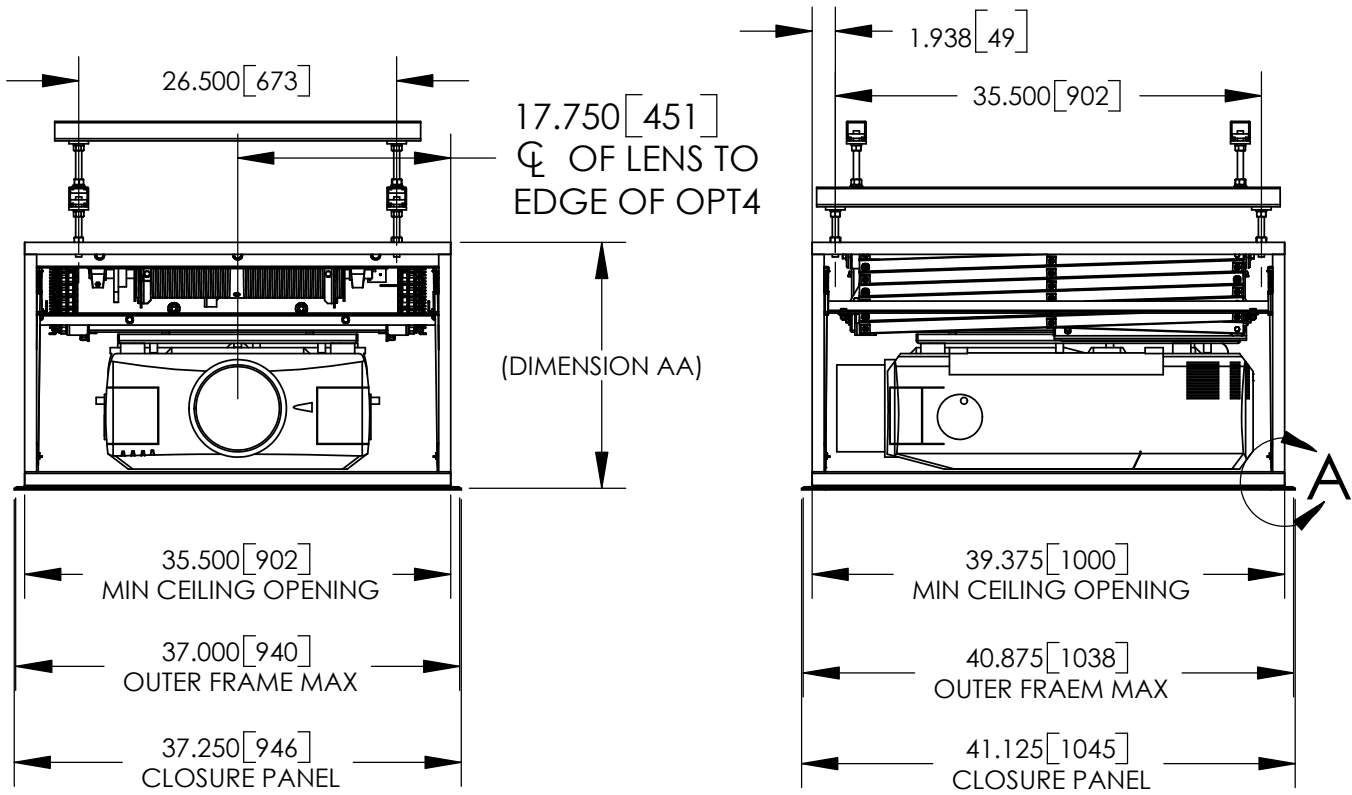
DRAWING REVISION BLOCK						
REV	ER	DESCRIPTION	DRAWN	CHECKED	APPROVED	DATE
A		RELEASE FOR PRODCUTION.	BAR			

DL3W SIZE	DIMENSION AA	
	INCHES	mm
DL3W-12	20.500	521
DL3W-14	21.500	546
DL3W-16	22.500	572
DL3W-18	24.500	622
DL3W-20	25.500	648
DL3W-24	27.500	699
DL3W-28	30.500	775

UNISTRUT P1000 T CHANNEL
AND 1/2" THREADED ROD
(RECOMMENDED)



NOTES:
 * UNIT = INCHES [mm]
 * DIMENSION AA IS REQUIRED SPACE ABOVE CEILING.
 * COMPONENTS SHOWN ARE THE CHRISTIE LX-100 WITH MOUNT (73-071), DL3W-12, OPT4 AND OPT1.
 * CTB ROD LENGTH IS 16.750".



DETAIL A
SCALE 1 : 3

		DISPLAY DEVICES, INC 5880 SHERIDAN BLVD ARVADA, CO 80003				
		TITLE DL3W - OPT4 STD - OPT1 LIPPED - W/CHRISTIE LX-100				
THE INFORMATION CONTAINED IN THIS DRAWING IS THE PROPERTY OF DISPLAY DEVICES, INC. ANY REPRODUCTION IN PART OR WHOLE WITHOUT THE WRITTEN PERMISSION OF DISPLAY DEVICES, INC IS PROHIBITED	UNLESS OTHERWISE SPECIFIED DIMENSIONS ARE IN INCHES. TOLERANCES: .XX = ± .02 .XXX = ± .010 .XXXX = ± .0050 ANGLE = ± 0.5	DRAWN BAR	DATE 3/5/2004	SIZE B	DRAWING NO. 316-006	REV A
MATERIAL NONE		FINISH NONE		SCALE NONE	FILE NAME 316-006.SLDDRW	SHEET 1 OF 2