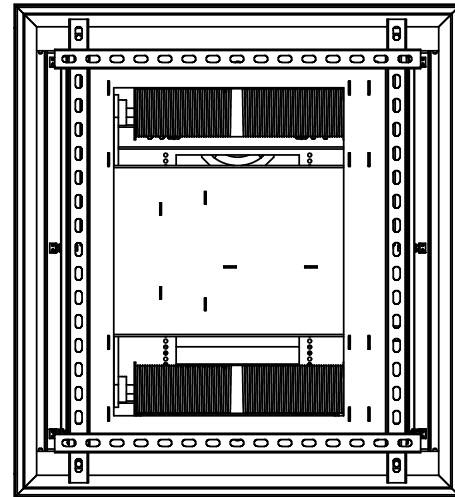
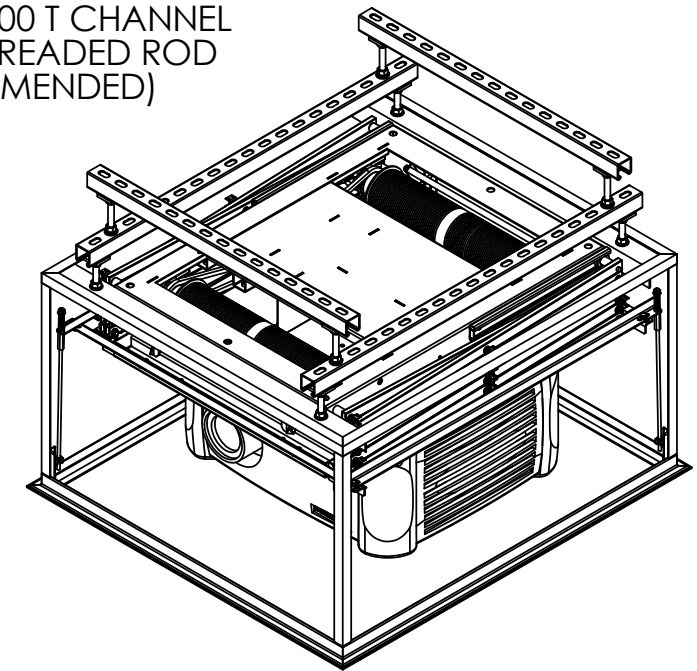


DRAWING REVISION BLOCK

REV	ER	DESCRIPTION	DRAWN	CHECKED	APPROVED	DATE

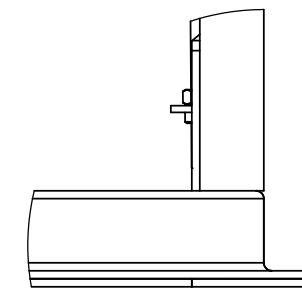
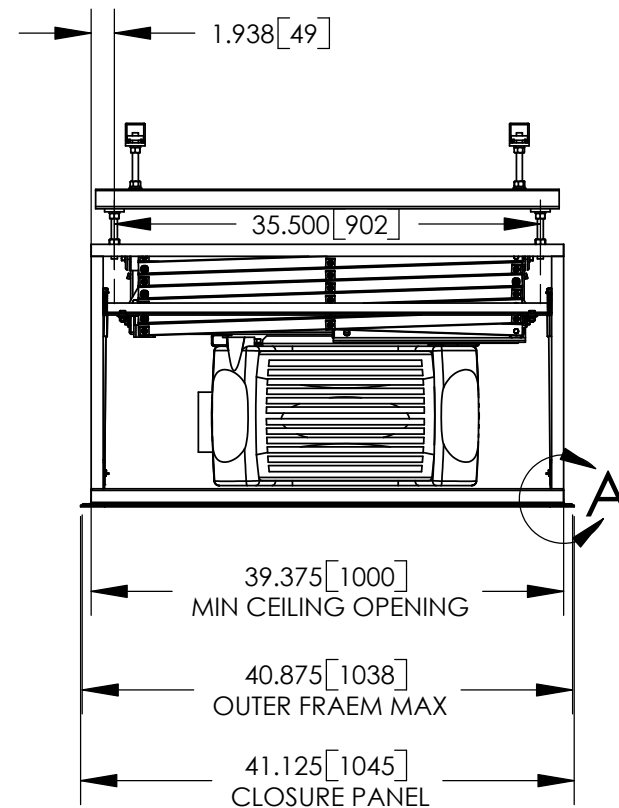
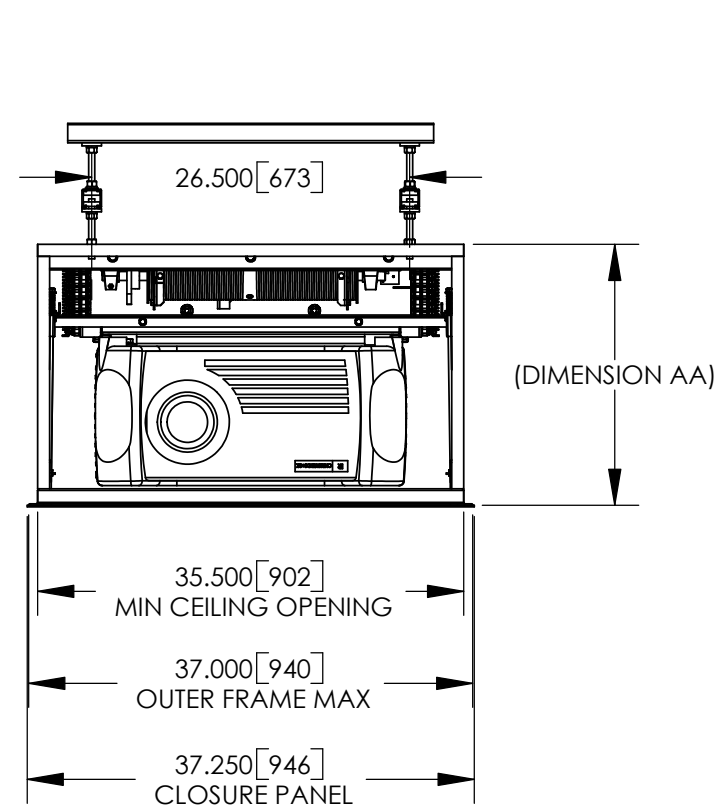
DL3W SIZE	DIMENSION AA	
	INCHES	mm
DL3W-12	21.750	552
DL3W-14	22.750	578
DL3W-16	23.750	603
DL3W-18	25.750	654
DL3W-20	26.750	679
DL3W-24	28.750	730
DL3W-28	31.750	806

UNISTRUT P1000 T CHANNEL AND 1/2" THREADED ROD (RECOMMENDED)



NOTES:

- * UNIT = INCHES [mm]
- * DIMENSION AA IS REQUIRED SPACE ABOVE CEILING.
- * COMPONENTS SHOWN ARE THE (PROJECTOR NAME HERE) WITH MOUNT (MNT PART# HERE), DL3W-12, OPT3 AND OPT1.
- * CTB ROD LENGTH IS 12.000"
- * OPT3 SKINS ARE REMOVED IN THESE DRAWING VIEWS.



DETAIL A
SCALE 1 : 3

		DISPLAY DEVICES, INC 5880 SHERIDAN BLVD ARVADA, CO 80003	
		TITLE DL3W - OPT3 STD - OPT1 LIPPED - W/CHRISTIE DS+5K	
THE INFORMATION CONTAINED IN THIS DRAWING IS THE PROPERTY OF DISPLAY DEVICES, INC. ANY REPRODUCTION IN PART OR WHOLE WITHOUT THE WRITTEN PERMISSION OF DISPLAY DEVICES, INC IS PROHIBITED	UNLESS OTHERWISE SPECIFIED DIMENSIONS ARE IN INCHES. TOLERANCES: .XX = ± .02 .XXX = ± .010 .XXXX = ± .0050 ANGLE = ± 0.5	DRAWN RLS	DATE 8/17/2005
CHECKED	DATE	SIZE B	DRAWING NO. 316-028
MATERIAL NONE	FINISH NONE	SCALE NONE	FILE NAME 316-028.SLDDRW
		REV A	SHEET 1 OF 2