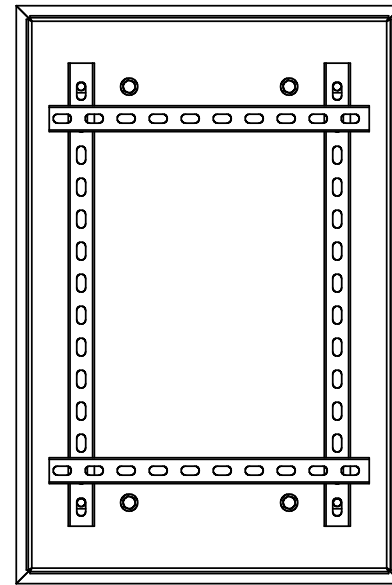


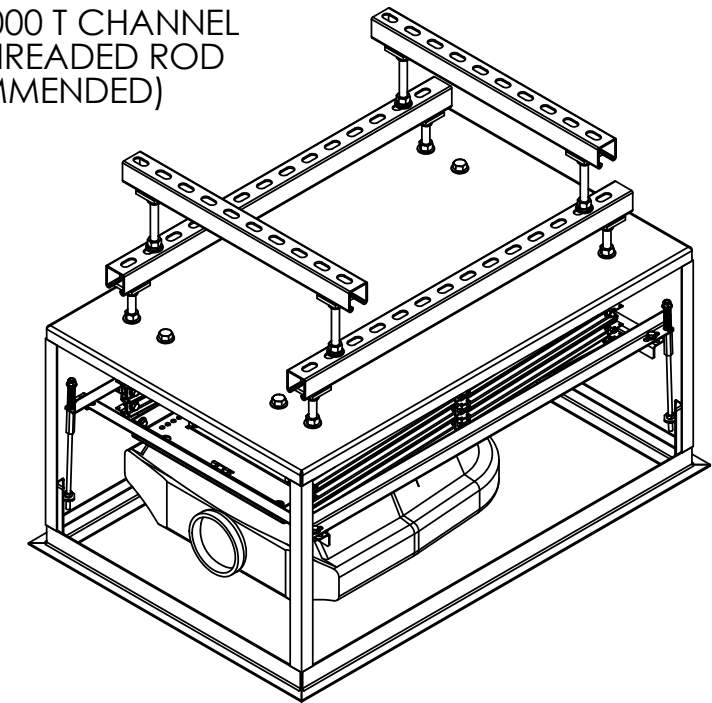
DRAWING REVISION BLOCK

REV	ER	DESCRIPTION	DRAWN	CHECKED	APPROVED	DATE



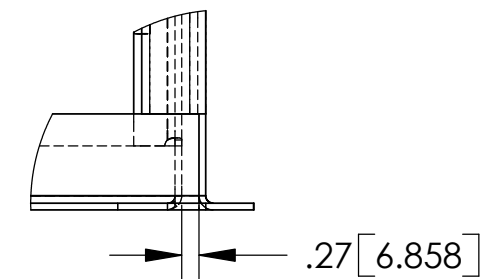
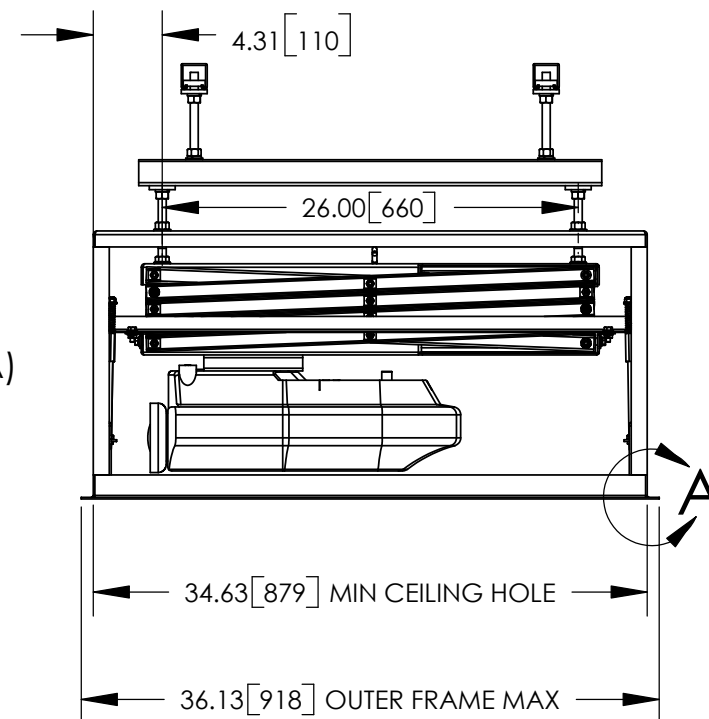
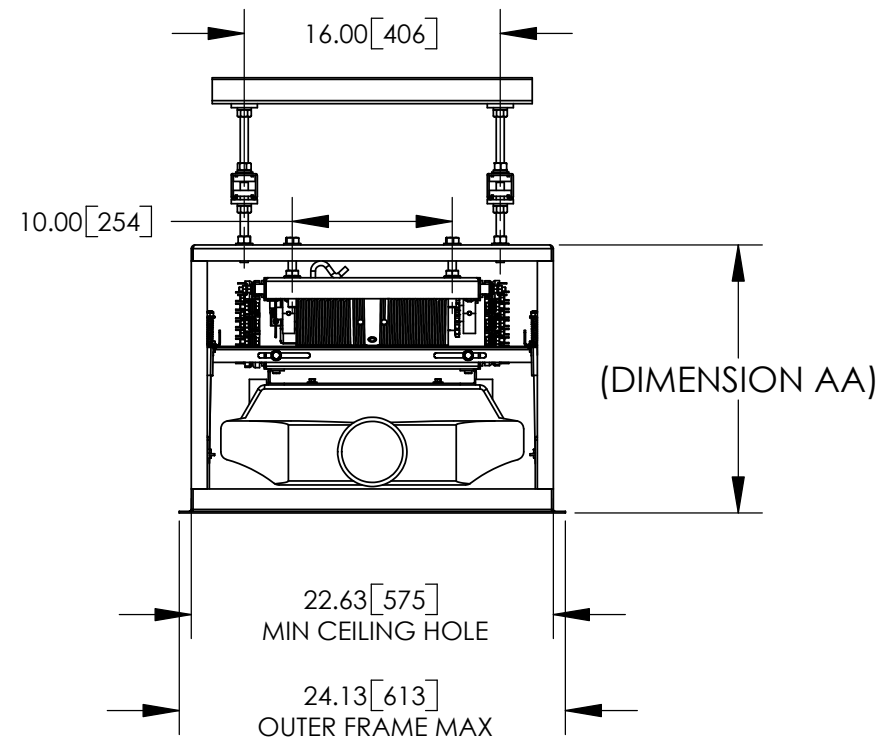
DL3B SIZE	DIMENSION AA	
	INCHES	mm
DL3B-7.5	16.750	425
DL3B-9.5	17.750	451
DL3B-11.0	18.750	476
DL3B-12.5	19.750	502
DL3B-14.0	20.750	527

UNISTRUT P1000 T CHANNEL AND 1/2" THREADED ROD (RECOMMENDED)



NOTES:

- \* UNITS = INCHES [mm]
- \* DIMENSION AA IS REQUIRED SPACE ABOVE CEILING.
- \* COMPONENTS SHOWN ARE THE SONY VPL FX-51 WITH MOUNT 73-069, DL3B-7.5, OPT3 AND OPT1.
- \* CTB ROD LENGTH IS 9.875".
- \* OPT3 SKINS ARE REMOVED IN THESE DRAWINGS.



DETAIL A  
SCALE 1 : 3

		<b>DISPLAY DEVICES, INC</b> 5880 SHERIDAN BLVD ARVADA, CO 80003				
		TITLE <b>DL3B - OPT3 STD - OPT1 LIPLSS                  W/SONY VPL FX-51</b>				
THE INFORMATION CONTAINED IN THIS DRAWING IS THE PROPERTY OF DISPLAY DEVICES, INC. ANY REPRODUCTION IN PART OR WHOLE WITHOUT THE WRITTEN PERMISSION OF DISPLAY DEVICES, INC IS PROHIBITED	UNLESS OTHERWISE SPECIFIED DIMENSIONS ARE IN INCHES.  TOLERANCES: .XX = ± .02 .XXX = ± .010 .XXXX = ± .0050 ANGLE = ± 0.5	DRAWN RLS	DATE 1/27/2005	SIZE <b>B</b>	DRAWING NO. 315-061	REV A
CHECKED	DATE	MATERIAL NONE	FINISH NONE	SCALE NONE	FILE NAME 315-061.SLDDRW	SHEET 1 OF 2