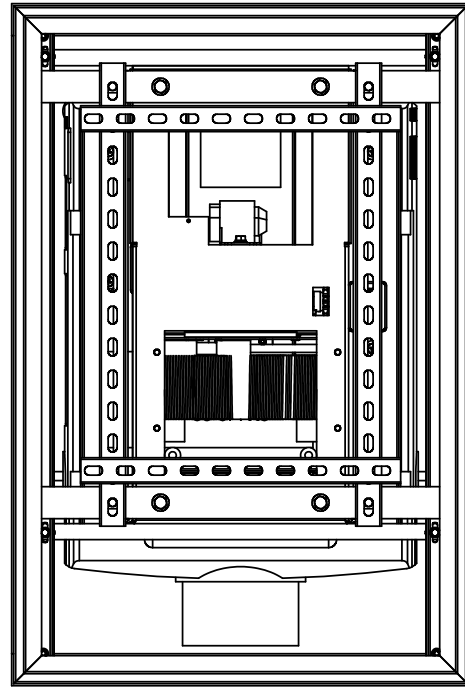


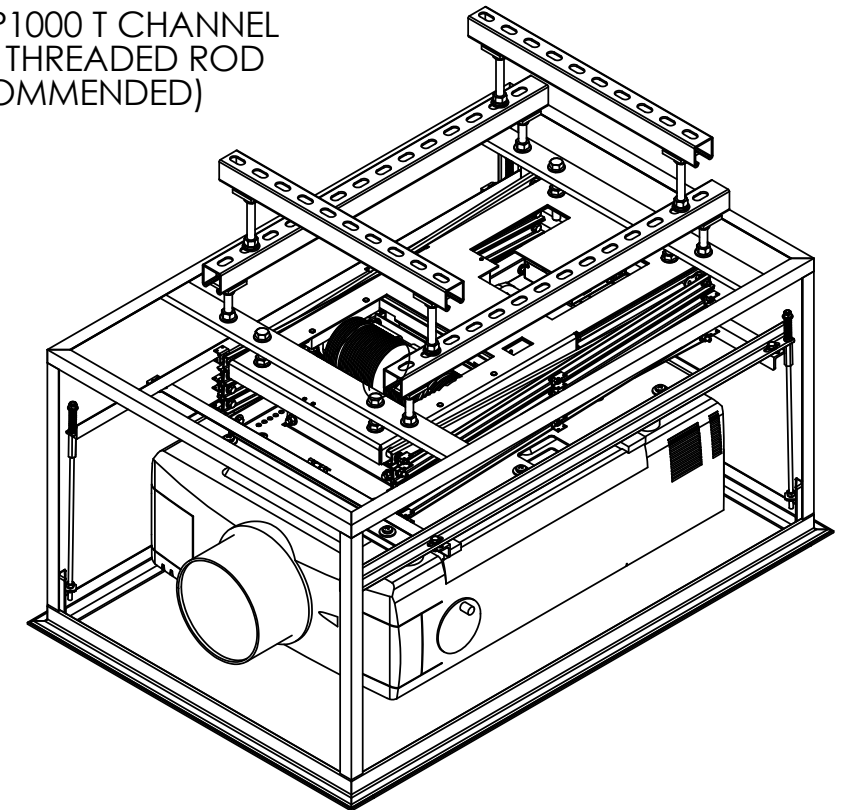
DRAWING REVISION BLOCK

REV	ER	DESCRIPTION	DRAWN	CHECKED	APPROVED	DATE



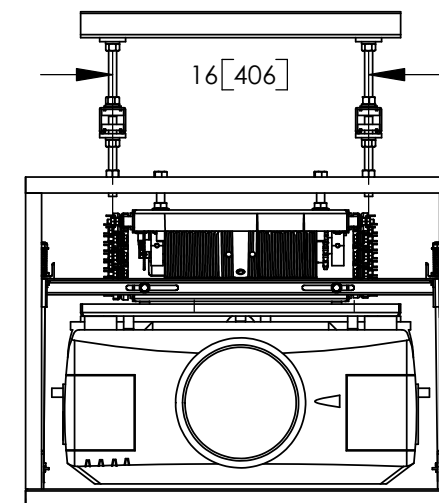
DL3B SIZE	DIMENSION AA	
	INCHES	mm
DL3B-7.5	20.875	530
DL3B-9.5	21.875	556
DL3B-11.0	22.875	581
DL3B-12.5	23.875	606
DL3B-14.0	24.875	632

UNISTRUT P1000 T CHANNEL AND 1/2" THREADED ROD (RECOMMENDED)

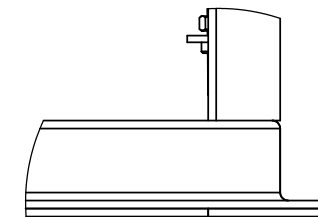
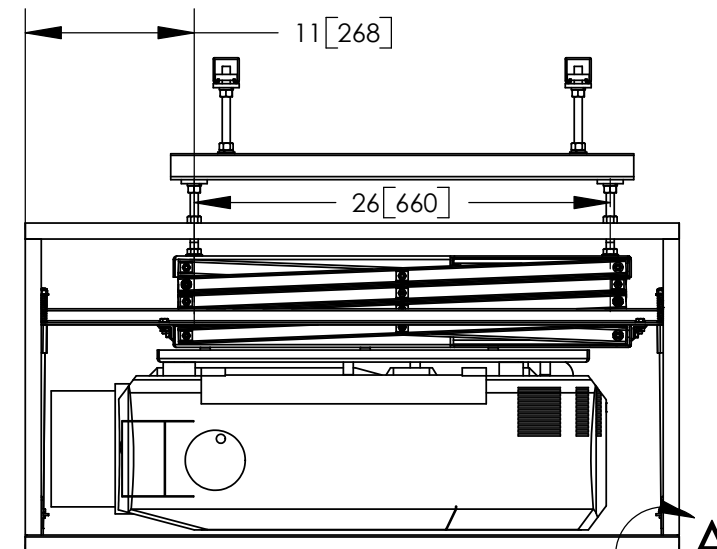


NOTES:

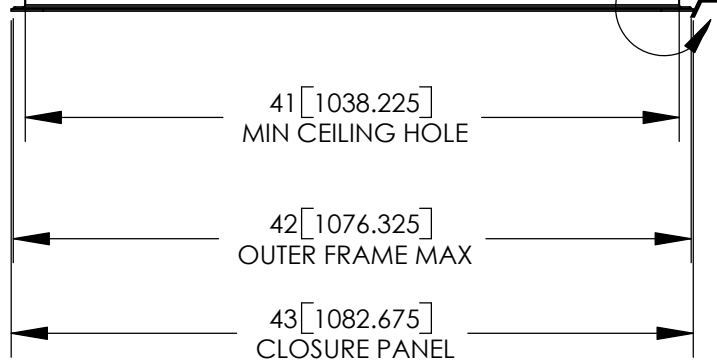
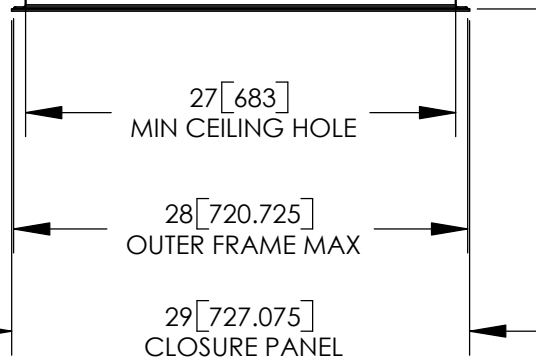
- * UNITS = INCHES [mm]
- * DIMENSION AA IS REQUIRED SPACE ABOVE CEILING.
- * COMPONENTS SHOWN ARE THE SANYO XF-41 WITH MOUNT 73-071, DL3B-7.5, OPT3 AND OPT1.
- * CTB ROD LENGTH IS 15.000"
- * OPT3 SKINS ARE REMOVED IN THESE DRAWINGS.



(DIMENSION AA)



DETAIL A
SCALE 1 : 3



		DISPLAY DEVICES, INC 5880 SHERIDAN BLVD ARVADA, CO 80003			
		TITLE DL3B-OPT3 OFFSET-OPT1 LIPPED W/SANYO XF-41			
THE INFORMATION CONTAINED IN THIS DRAWING IS THE PROPERTY OF DISPLAY DEVICES, INC. ANY REPRODUCTION IN PART OR WHOLE WITHOUT THE WRITTEN PERMISSION OF DISPLAY DEVICES, INC IS PROHIBITED.		UNLESS OTHERWISE SPECIFIED DIMENSIONS ARE IN INCHES. TOLERANCES: .XX = ± .02 .XXX = ± .010 .XXXX = ± .0050 ANGLE = ± 0.5		SIZE B	DRAWING NO. 315-063
DRAWN RLS	DATE 3/8/2005	SCALE NONE	FILE NAME 315-063.SLDDRW	REV A	SHEET 1 OF 2