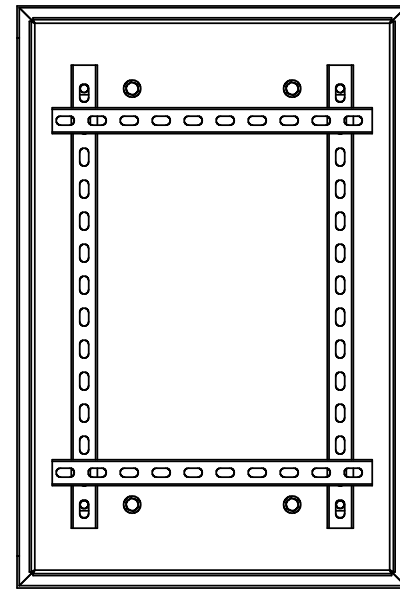


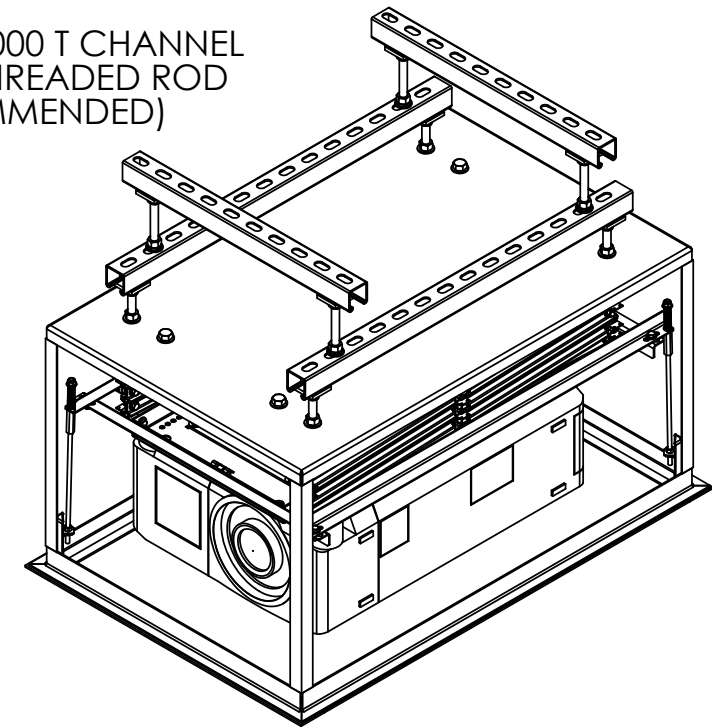
DRAWING REVISION BLOCK

REV	ER	DESCRIPTION	DRAWN	CHECKED	APPROVED	DATE



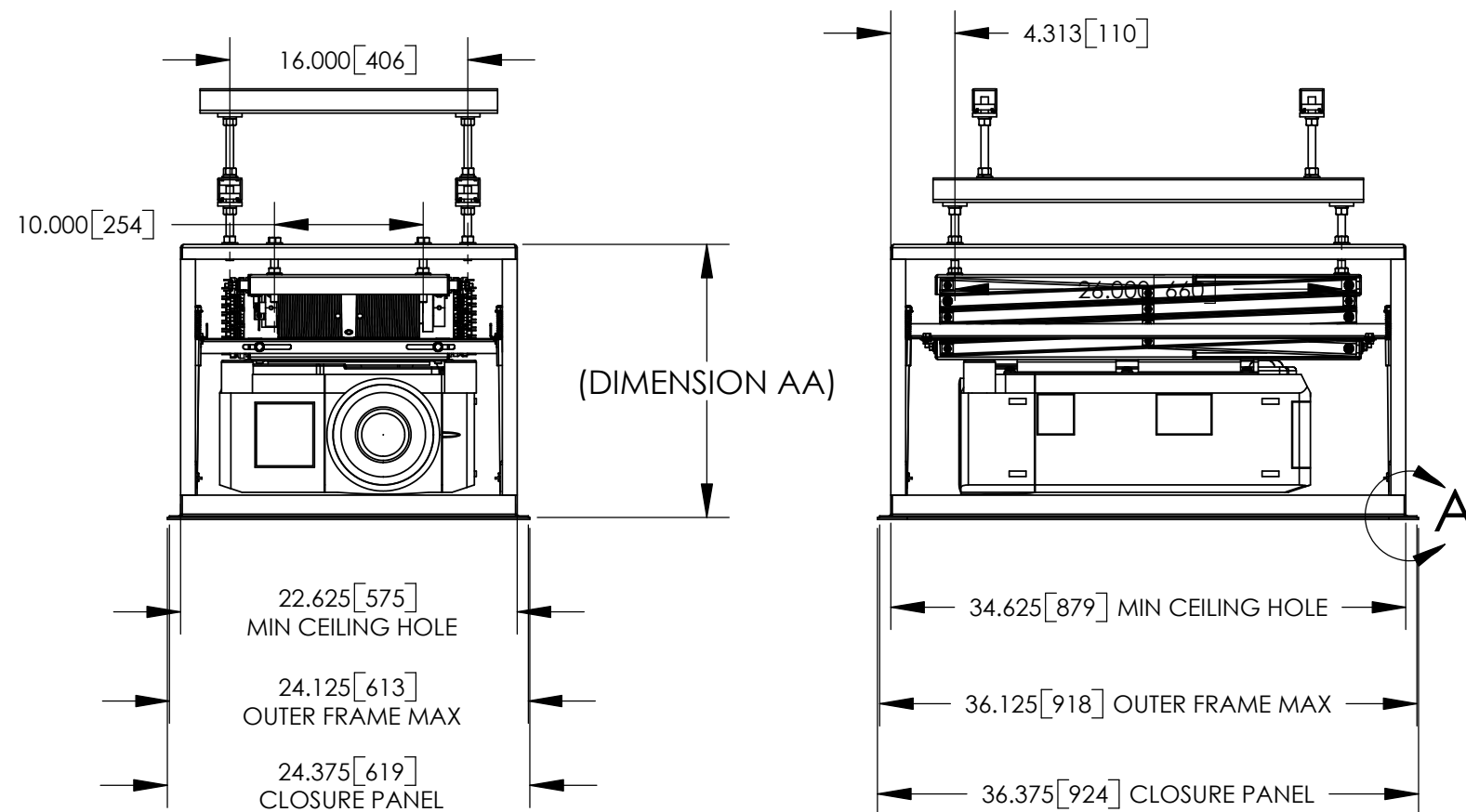
DL3B SIZE	DIMENSION AA	
	INCHES	mm
DL3B-7.5	18.375	467
DL3B-9.5	19.375	492
DL3B-11.0	20.375	518
DL3B-12.5	21.375	543
DL3B-14.0	22.375	568

UNISTRUT P1000 T CHANNEL AND 1/2" THREADED ROD (RECOMMENDED)



NOTES:

- * UNITS = INCHES [mm]
- * DIMENSION AA IS REQUIRED SPACE ABOVE CEILING.
- * COMPONENTS SHOWN ARE THE SANYO PCL-XF30 WITH MOUNT 73-127, DL3B-7.5, OPT4 AND OPT1.
- * CTB ROD LENGTH IS 12.500".



		DISPLAY DEVICES, INC 5880 SHERIDAN BLVD ARVADA, CO 80003	
THE INFORMATION CONTAINED IN THIS DRAWING IS THE PROPERTY OF DISPLAY DEVICES, INC. ANY REPRODUCTION IN PART OR WHOLE WITHOUT THE WRITTEN PERMISSION OF DISPLAY DEVICES, INC IS PROHIBITED		UNLESS OTHERWISE SPECIFIED DIMENSIONS ARE IN INCHES. TOLERANCES: .XX = ± .02 .XXX = ± .010 .XXXX = ± .0050 ANGLE = ± 0.5	
TITLE DL3B - OPT4 STD - OPT1 LIPPED W/SANYO PCL-XF30		DRAWING NO. 315-038	REV A
DRAWN RLS	DATE 4/13/2004	SIZE B	FILE NAME 315-038.SLDDRW
CHECKED	DATE	SCALE NONE	SHEET 1 OF 2
MATERIAL NONE	FINISH NONE	DRAWING NO. 315-038	