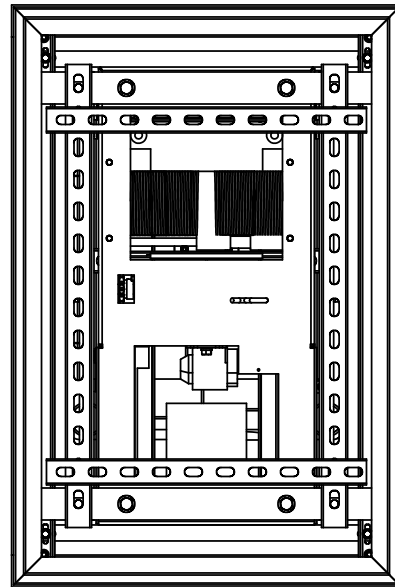


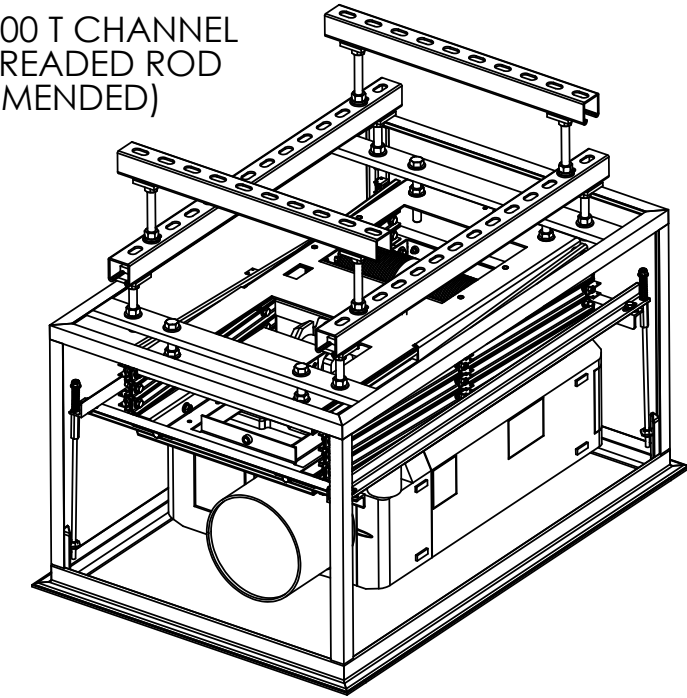
DRAWING REVISION BLOCK

REV	ER	DESCRIPTION	DRAWN	CHECKED	APPROVED	DATE



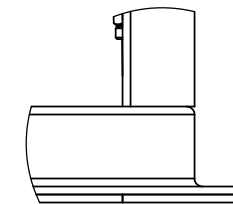
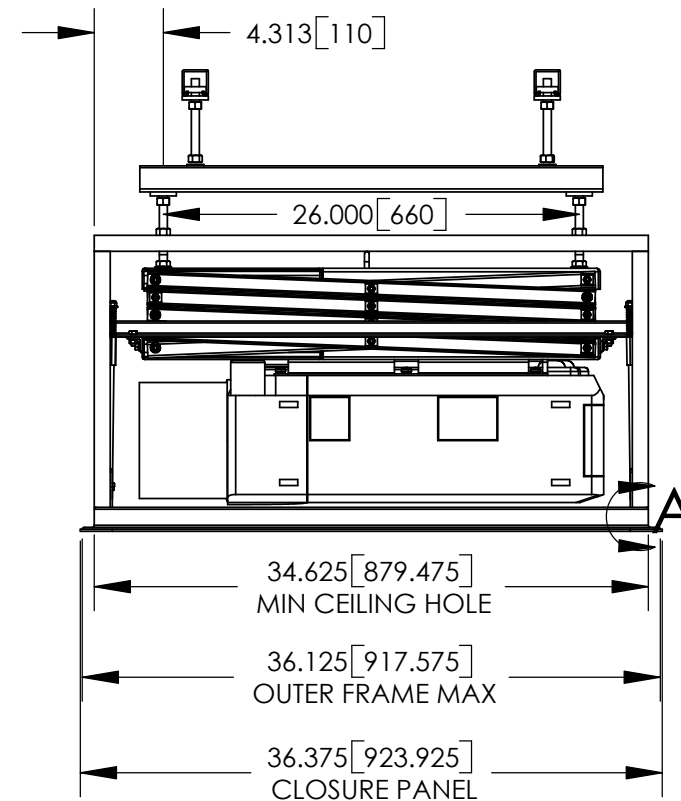
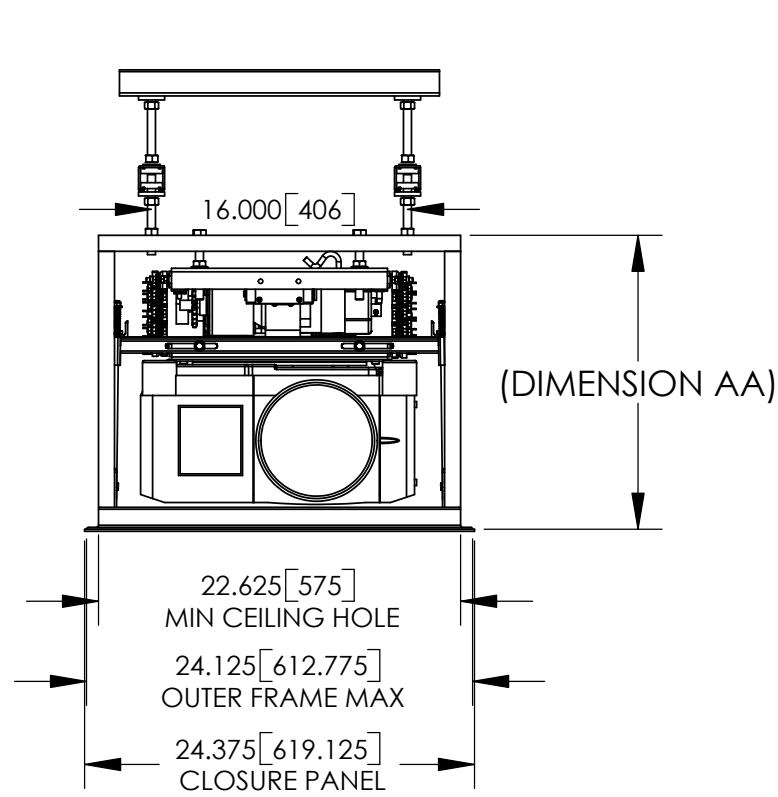
DL3B SIZE	DIMENSION AA	
	INCHES	mm
DL3B-7.5	18.375	467
DL3B-9.5	19.375	492
DL3B-11.0	20.375	518
DL3B-12.5	21.375	543
DL3B-14.0	22.375	568

UNISTRUT P1000 T CHANNEL AND 1/2" THREADED ROD (RECOMMENDED)



NOTES:

- * LIFT IS FLIPPED AROUND FOR THIS PROJECTOR, FRONT IS BACK AND BACK IS FRONT
- * UNITS = INCHES [mm]
- * DIMENSION AA IS REQUIRED SPACE ABOVE CEILING
- * COMPONENTS SHOWN ARE THE SANYO PCL-XF30 W/LONG LENS, WITH MOUNT 73-127, DL3B-7.5, AND OPT3 AND OPT1.
- * CTB ROD LENGTH IS 12.625"
- * OPT3 SKINS ARE REMOVED IN THESE VIEWS.



DETAIL A
SCALE 1 : 3

		DISPLAY DEVICES, INC 5880 SHERIDAN BLVD ARVADA, CO 80003			
		TITLE DL3B-OPT3 CSTM-OPT1 LIPPED W/SANYO PCL-XF30			
THE INFORMATION CONTAINED IN THIS DRAWING IS THE PROPERTY OF DISPLAY DEVICES, INC. ANY REPRODUCTION IN PART OR WHOLE WITHOUT THE WRITTEN PERMISSION OF DISPLAY DEVICES, INC IS PROHIBITED	UNLESS OTHERWISE SPECIFIED DIMENSIONS ARE IN INCHES. TOLERANCES: .XX = ± .02 .XXX = ± .010 .XXXX = ± .0050 ANGLE = ± 0.5	DRAWN RLS DATE 10/6/2004	DATE 10/6/2004	SIZE B	DRAWING NO. 315-054
MATERIAL NONE	FINISH NONE	SCALE NONE	FILE NAME 315-054.SLDDRW	REV A	SHEET 1 OF 2