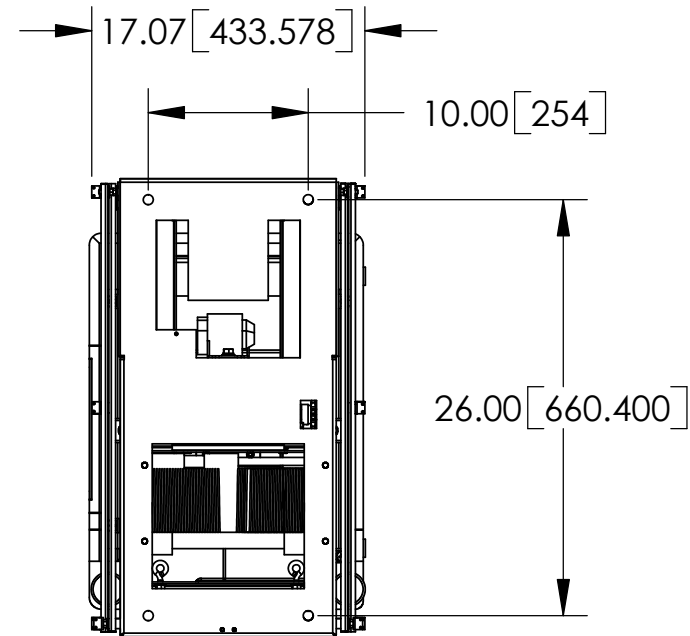


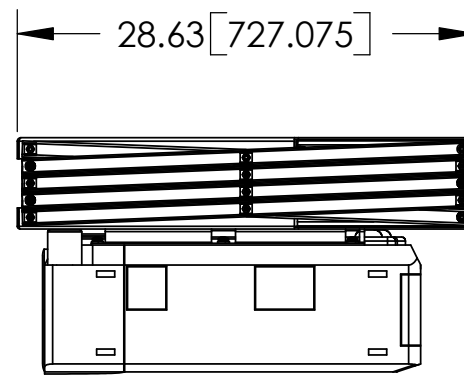
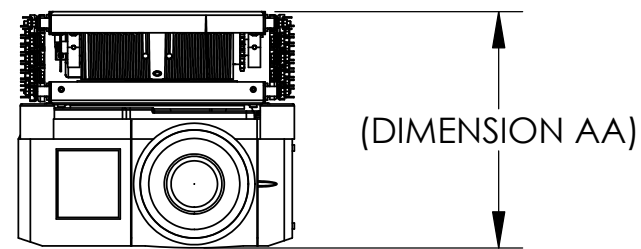
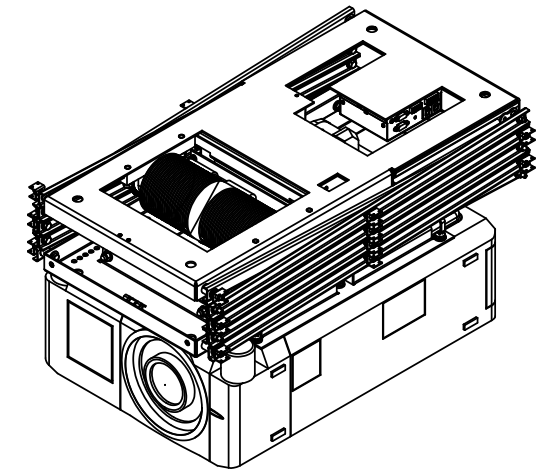
DRAWING REVISION BLOCK

REV	ER	DESCRIPTION	DRAWN	CHECKED	APPROVED	DATE



DL3B SIZE	DIMENSION AA	
	INCHES	mm
DL3B-7.5	14.750	375
DL3B-9.5	15.750	400
DL3B-11.0	16.750	425
DL3B-12.5	17.750	451
DL3B-14.0	18.750	476

NOTES:
 * UNITS = INCHES [mm]
 * COMPONENTS SHOWN ARE THE SANYO PCL-XF30 WITH MOUNT 73-127, DL3B-7.5.



THE INFORMATION CONTAINED IN THIS DRAWING IS THE PROPERTY OF DISPLAY DEVICES, INC. ANY REPRODUCTION IN PART OR WHOLE WITHOUT THE WRITTEN PERMISSION OF DISPLAY DEVICES, INC IS PROHIBITED

UNLESS OTHERWISE SPECIFIED DIMENSIONS ARE IN INCHES.

TOLERANCES:

- .XX = ± .02
- .XXX = ± .010
- .XXXX = ± .0050
- ANGLE = ± 0.5

DISPLAY DEVICES, INC
 5880 SHERIDAN BLVD
 ARVADA, CO 80003

TITLE
**MOUNT AND PROJECTOR
 W/SANYO PCL-XF30**

DRAWN	RLS	DATE	4/12/2004
CHECKED		DATE	
MATERIAL	NONE		
FINISH	NONE		

SIZE	DRAWING NO.	REV
B	315-501	A
SCALE	FILE NAME	SHEET 1 OF 1
NONE	315-038.SLDDRW	