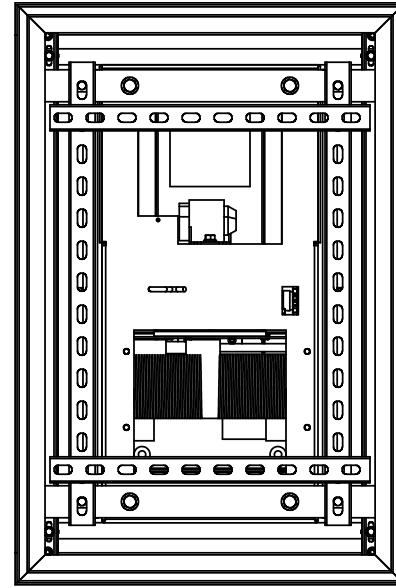


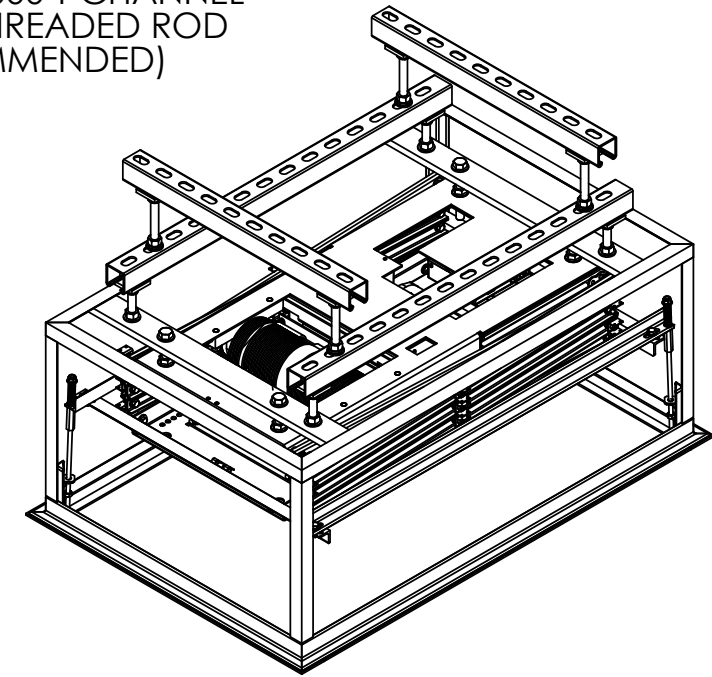
DRAWING REVISION BLOCK

REV	ER	DESCRIPTION	DRAWN	CHECKED	APPROVED	DATE



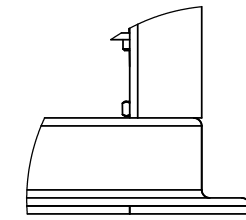
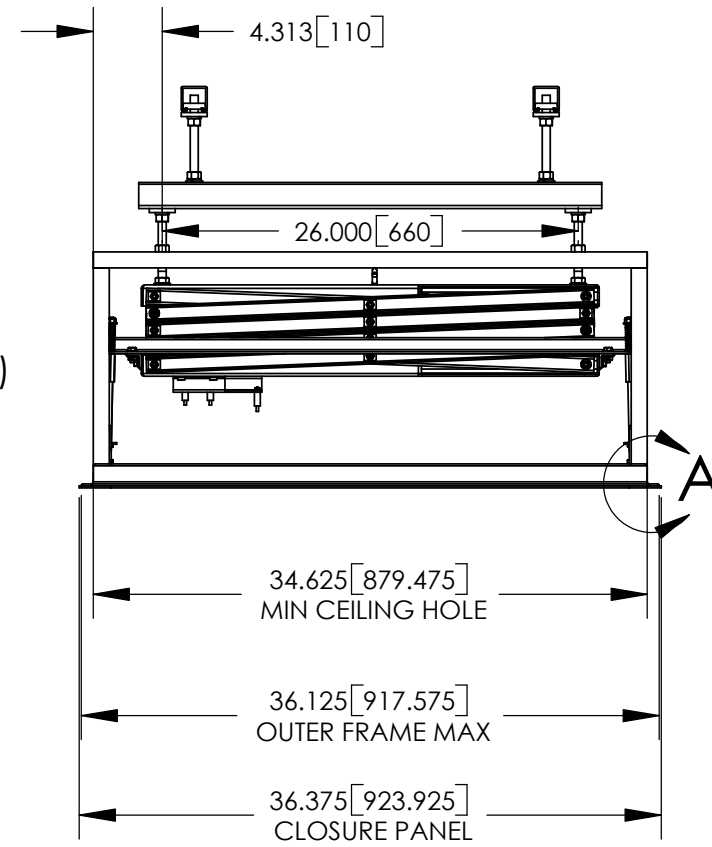
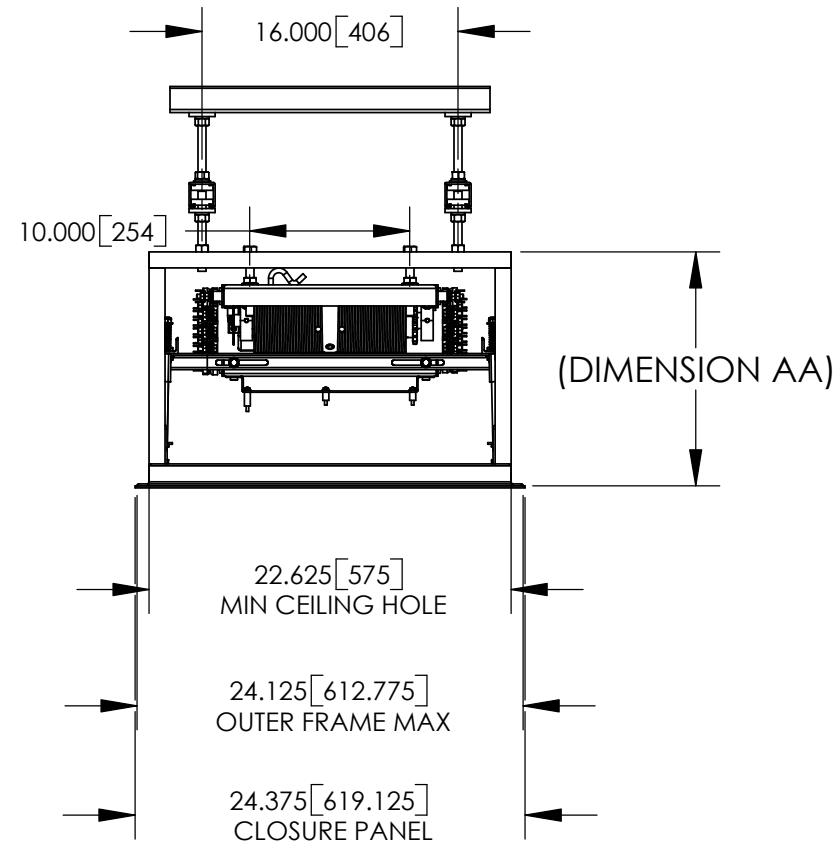
DL3B SIZE	DIMENSION AA	
	INCHES	mm
DL3B-7.5	14.625	371
DL3B-9.5	15.625	397
DL3B-11.0	16.625	422
DL3B-12.5	17.625	448
DL3B-14.0	18.625	473

UNISTRUT P1000 T CHANNEL AND 1/2" THREADED ROD (RECOMMENDED)



NOTES:

- * UNITS = INCHES [mm]
- * DIMENSION AA IS REQUIRED SPACE ABOVE CEILING.
- * COMPONENTS SHOWN ARE THE LIESEGANG DV365 TYPE 206 WITH MOUNT 73-421, DL3B-7.5, OPT4 AND OPT1.
- * CTB ROD LENGTH IS 10.125".



DETAIL A
SCALE 1 : 3

		DISPLAY DEVICES, INC 5880 SHERIDAN BLVD ARVADA, CO 80003	
		TITLE DL3B-OPT4 CSTM-OPT1 LIPPED W/LIESEGANG DV365 TYPE 206	
THE INFORMATION CONTAINED IN THIS DRAWING IS THE PROPERTY OF DISPLAY DEVICES, INC. ANY REPRODUCTION IN PART OR WHOLE WITHOUT THE WRITTEN PERMISSION OF DISPLAY DEVICES, INC IS PROHIBITED	UNLESS OTHERWISE SPECIFIED DIMENSIONS ARE IN INCHES. TOLERANCES: .XX = ± .02 .XXX = ± .010 .XXXX = ± .0050 ANGLE = ± 0.5	DRAWN RLS DATE 10/19/2004	DATE 10/19/2004
DRAWN RLS DATE 10/19/2004	CHECKED DATE	MATERIAL NONE	FINISH NONE
SIZE B	DRAWING NO. 315-055	SCALE NONE	FILE NAME 315-055.SLDDRW
REV A	SHEET 1 OF 2	SHEET 1 OF 2	SHEET 1 OF 2