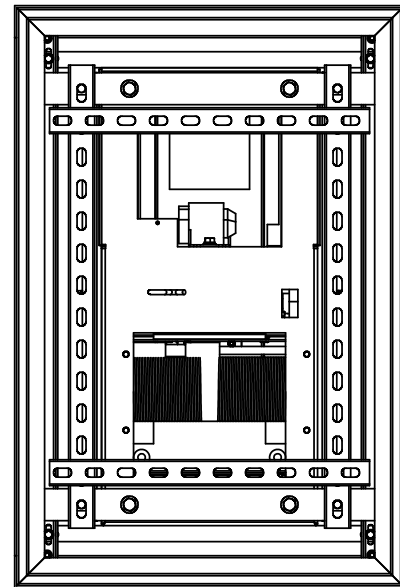


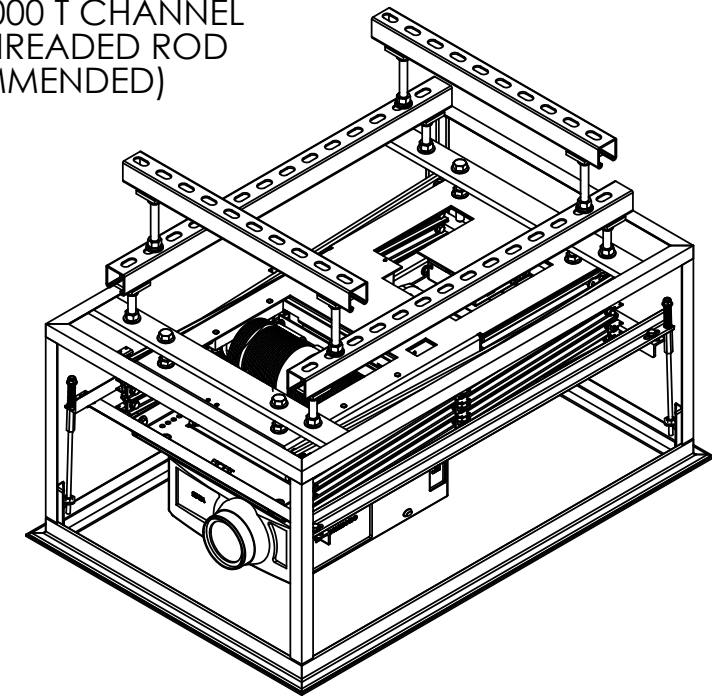
DRAWING REVISION BLOCK

REV	ER	DESCRIPTION	DRAWN	CHECKED	APPROVED	DATE



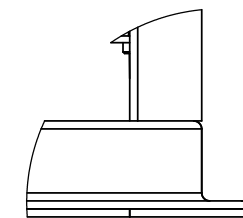
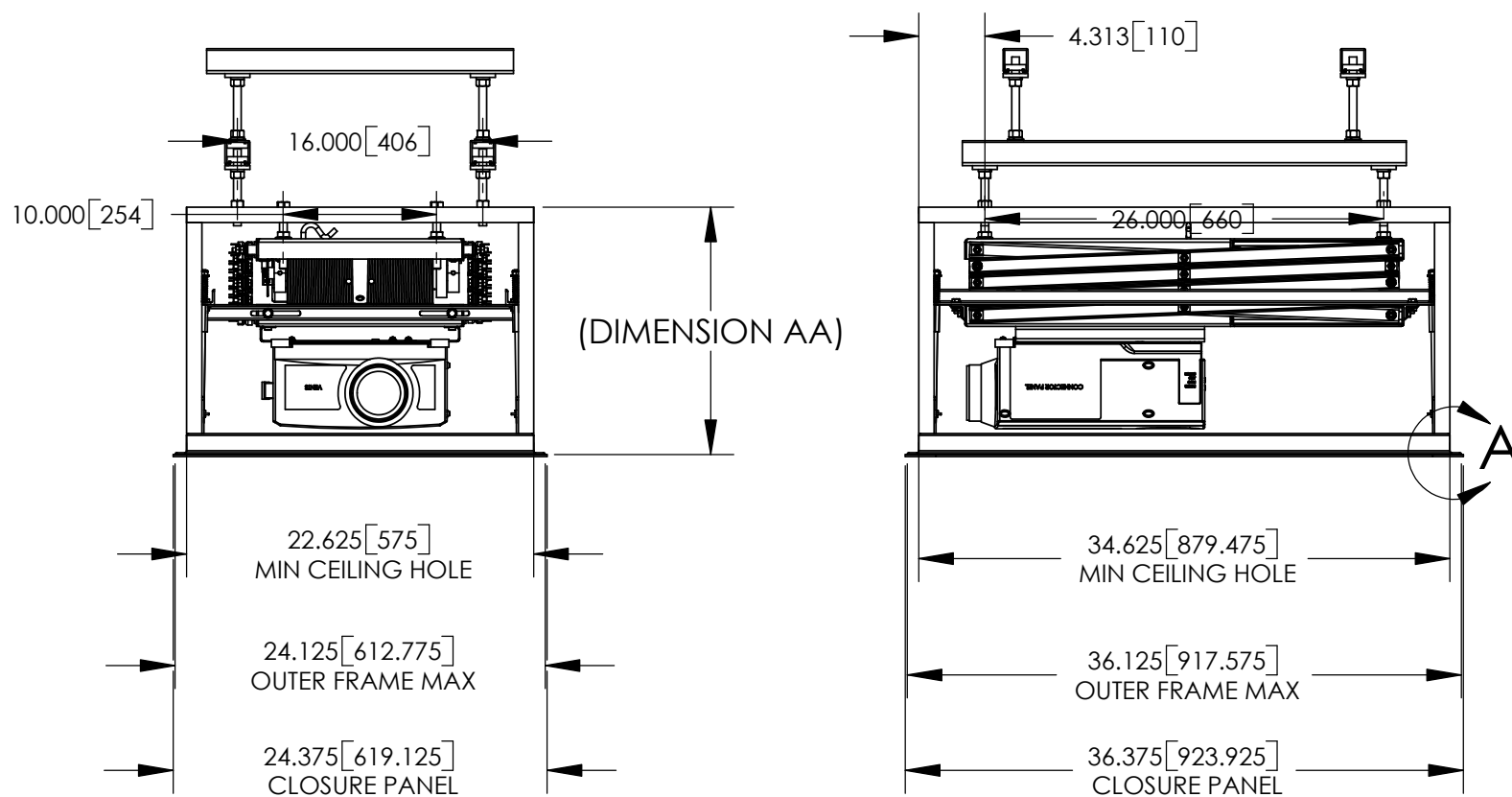
DL3B SIZE	DIMENSION AA	
	INCHES	mm
DL3B-7.5	16.125	410
DL3B-9.5	17.125	435
DL3B-11.0	18.125	460
DL3B-12.5	19.125	486
DL3B-14.0	20.125	511

UNISTRUT P1000 T CHANNEL AND 1/2" THREADED ROD (RECOMMENDED)



NOTES:

- \* UNITS = INCHES [mm]
- \* DIMENSION AA IS REQUIRED SPACE ABOVE CEILING.
- \* COMPONENTS SHOWN ARE THE HITACHI CX990W WITH MOUNT 73-245, DL3B-7.5, OPT4 AND OPT1.
- \* CTB ROD LENGTH IS 10.375".



DETAIL A  
SCALE 1 : 3

		<b>DISPLAY DEVICES, INC</b> 5880 SHERIDAN BLVD ARVADA, CO 80003			
		TITLE <b>DL3B-OPT4 CSTM-OPT1 LIPPED W/HITACHI CX990W</b>			
THE INFORMATION CONTAINED IN THIS DRAWING IS THE PROPERTY OF DISPLAY DEVICES, INC. ANY REPRODUCTION IN PART OR WHOLE WITHOUT THE WRITTEN PERMISSION OF DISPLAY DEVICES, INC IS PROHIBITED	UNLESS OTHERWISE SPECIFIED DIMENSIONS ARE IN INCHES.  TOLERANCES: .XX = ± .02 .XXX = ± .010 .XXXX = ± .0050 ANGLE = ± 0.5	DRAWN RLS	DATE 8/3/2004	SIZE <b>B</b>	DRAWING NO. 315-050
CHECKED	DATE	MATERIAL NONE	FINISH NONE	SCALE NONE	FILE NAME 315-050.SLDDRW
REV A					SHEET 1 OF 2