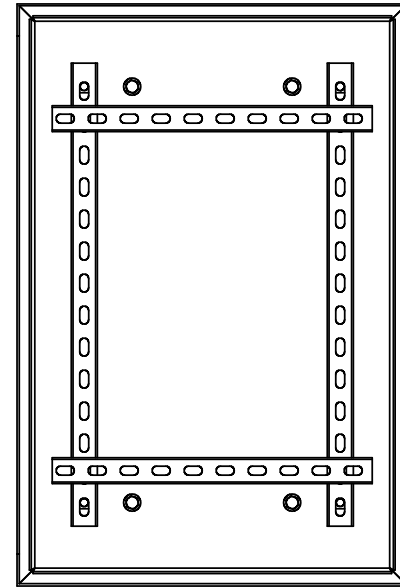


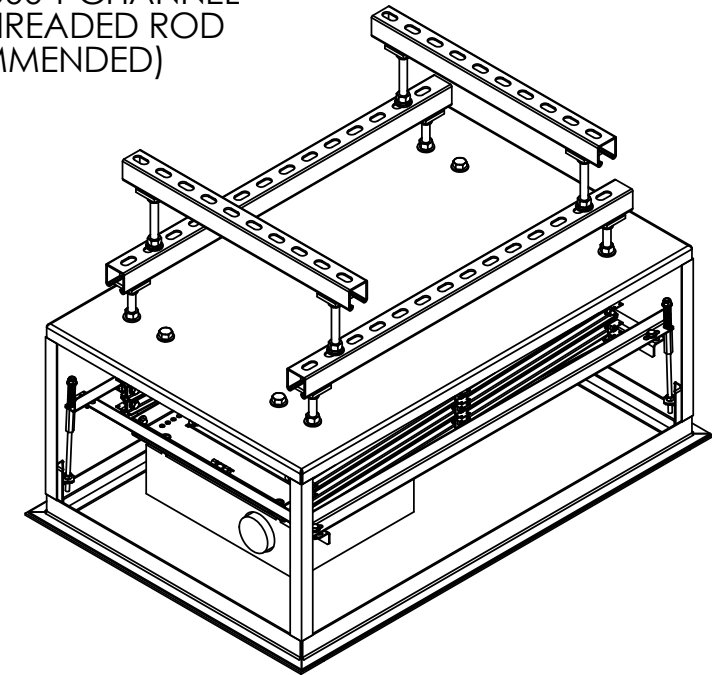
DRAWING REVISION BLOCK

REV	ER	DESCRIPTION	DRAWN	CHECKED	APPROVED	DATE



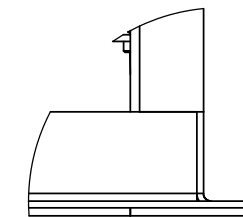
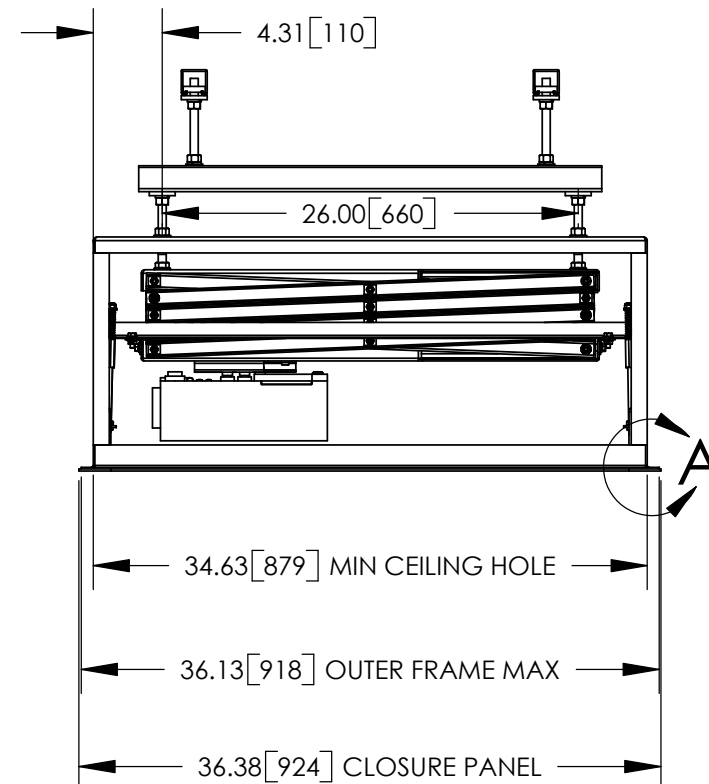
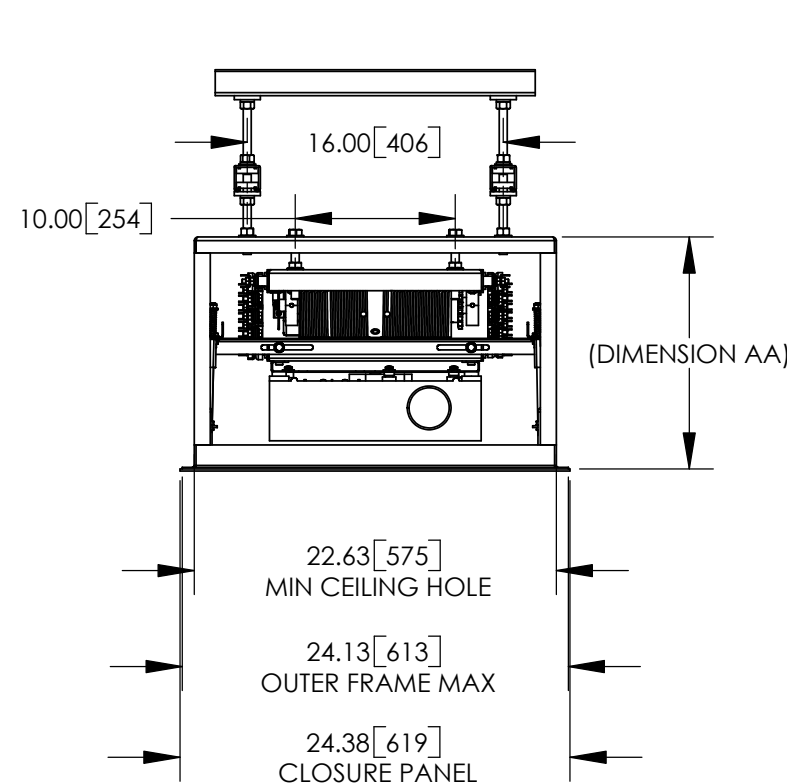
DL3B SIZE	DIMENSION AA	
	INCHES	mm
DL3B-7.5	14.500	368
DL3B-9.5	15.500	394
DL3B-11.0	16.500	419
DL3B-12.5	17.500	445
DL3B-14.0	18.500	470

UNISTRUT P1000 T CHANNEL AND 1/2" THREADED ROD (RECOMMENDED)



NOTES:

- * UNITS = INCHES [mm]
- * DIMENSION AA IS REQUIRED SPACE ABOVE CEILING.
- * COMPONENTS SHOWN ARE THE HITACHI CP-X445W WITH MOUNT 73-213, DL3B-7.5, OPT3 AND OPT1.
- * CTB ROD LENGTH IS 8.625".
- * OPT3 SKINS ARE REMOVED IN THESE DRAWINGS.



DETAIL A
SCALE 1:3

		DISPLAY DEVICES, INC 5880 SHERIDAN BLVD ARVADA, CO 80003			
		TITLE DL3B - OPT3 STD - OPT1 LIPPED W/HITACHI CP -X445W			
THE INFORMATION CONTAINED IN THIS DRAWING IS THE PROPERTY OF DISPLAY DEVICES, INC. ANY REPRODUCTION IN PART OR WHOLE WITHOUT THE WRITTEN PERMISSION OF DISPLAY DEVICES, INC IS PROHIBITED	UNLESS OTHERWISE SPECIFIED DIMENSIONS ARE IN INCHES. TOLERANCES: .XX = ± .02 .XXX = ± .010 .XXXX = ± .0050 ANGLE = ± 0.5	DRAWN RLS	DATE 4/22/2005	SIZE B	DRAWING NO. 315-065
CHECKED	DATE	MATERIAL NONE	FINISH NONE	SCALE NONE	FILE NAME 315-065.SLDDRW
REV A					SHEET 1 OF 2