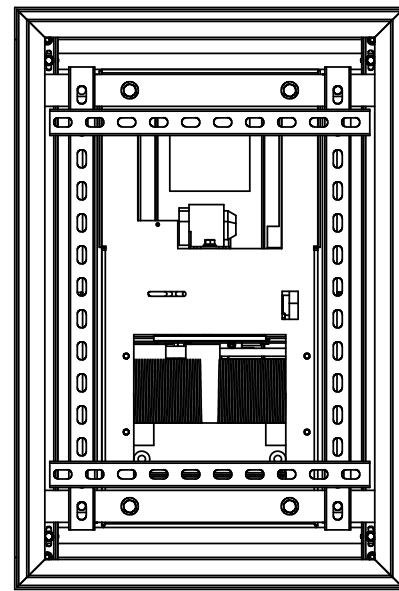


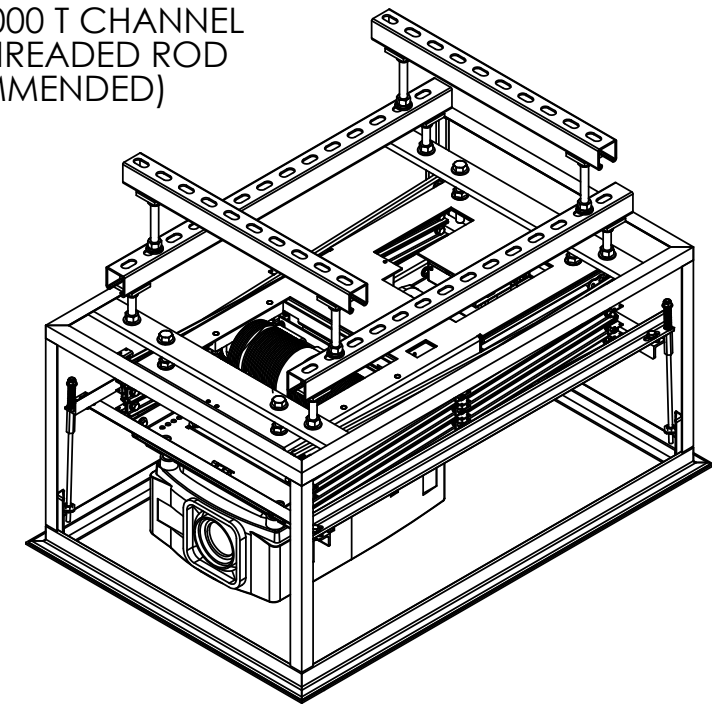
DRAWING REVISION BLOCK

REV	ER	DESCRIPTION	DRAWN	CHECKED	APPROVED	DATE



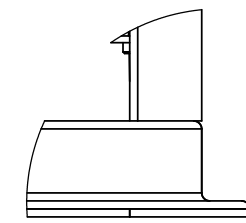
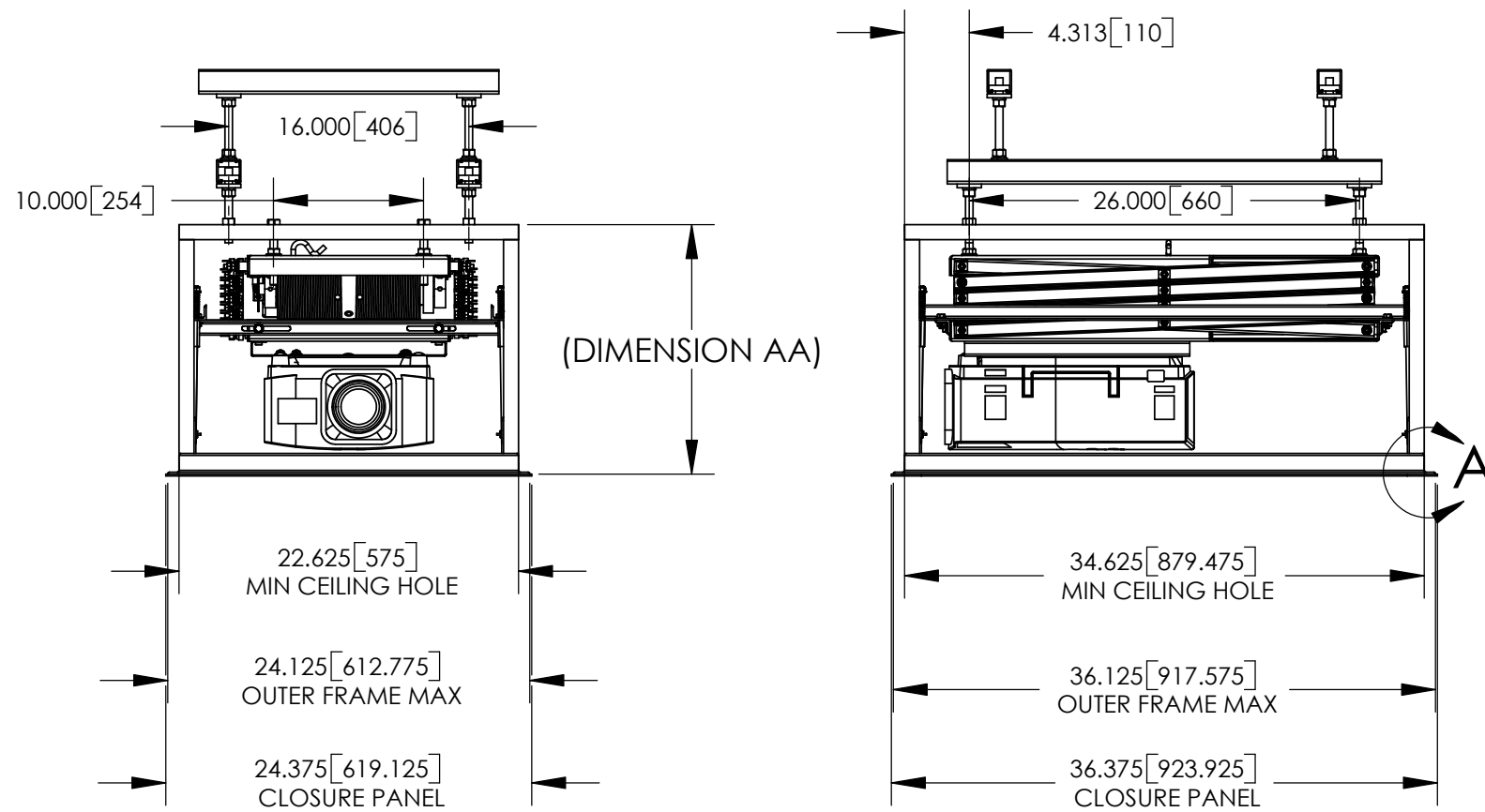
DL3B SIZE	DIMENSION AA	
	INCHES	mm
DL3B-7.5	16.625	422
DL3B-9.5	17.625	448
DL3B-11.0	18.625	473
DL3B-12.5	19.625	498
DL3B-14.0	20.625	524

UNISTRUT P1000 T CHANNEL AND 1/2" THREADED ROD (RECOMMENDED)



NOTES:

- * UNITS = INCHES [mm]
- * DIMENSION AA IS REQUIRED SPACE ABOVE CEILING.
- * COMPONENTS SHOWN ARE THE EIKI LC-XG210 WITH MOUNT 73-375, DL3B-7.5, OPT3 AND OPT1.
- * CTB ROD LENGTH IS 10.875".
- * OPT3 SKINS ARE REMOVED IN THESE DRAWINGS.



DETAIL A
SCALE 1 : 3

		DISPLAY DEVICES, INC 5880 SHERIDAN BLVD ARVADA, CO 80003			
		TITLE DL3B-OPT3 CSTM-OPT1 LIPPED W/EIKI LC-XG210			
THE INFORMATION CONTAINED IN THIS DRAWING IS THE PROPERTY OF DISPLAY DEVICES, INC. ANY REPRODUCTION IN PART OR WHOLE WITHOUT THE WRITTEN PERMISSION OF DISPLAY DEVICES, INC IS PROHIBITED	UNLESS OTHERWISE SPECIFIED DIMENSIONS ARE IN INCHES. TOLERANCES: .XX = ± .02 .XXX = ± .010 .XXXX = ± .0050 ANGLE = ± 0.5	DRAWN RLS	DATE 7/6/2004	SIZE B	DRAWING NO. 315-047
CHECKED	DATE	MATERIAL NONE	FINISH NONE	SCALE NONE	FILE NAME 315-047.SLDDRW
REV A					SHEET 1 OF 2